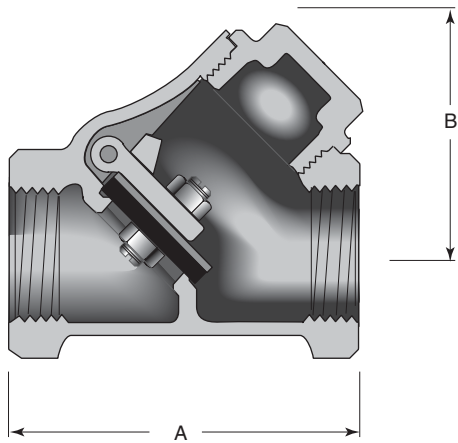


Class 150 • Threaded Cap • PTFE Disc • Threaded Ends



Features

- Y-Pattern Body
- Threaded Ends
- PTFE Disc
- Screwed Cap
- MSS Specification SP-80

For more detailed features, refer to page 47.

Figure 141TF

Size Range:

½" through 2"

Working Pressures Non-Shock:

150 psi Steam, Basic Rating

300 psi Cold Working Pressure

Principal Parts & Materials

Part	Material	ASTM
Body	Bronze	B62 alloy C83600
Cap	Bronze	B61 alloy C92200
Hinge	Bronze	B584 alloy C87600
Disc	PTFE w/metal holder	—
Hinge Pin	Stainless Steel	18-8

Dimensions and Weights

Inches (millimeters) - pounds (kilograms)

	½ (15)	¾ (20)	1 (25)	1 ¼ (32)	1 ½ (40)	2 (50)
A	2.19 (56)	2.75 (70)	3.23 (82)	3.84 (98)	4.40 (112)	5.18 (132)
B	1.64 (42)	1.92 (49)	2.45 (62)	2.86 (73)	3.42 (87)	4.13 (105)
WTS.	0.70 (0.32)	1.10 (0.50)	1.80 (0.82)	2.60 (1.18)	3.90 (1.77)	6.20 (2.81)