

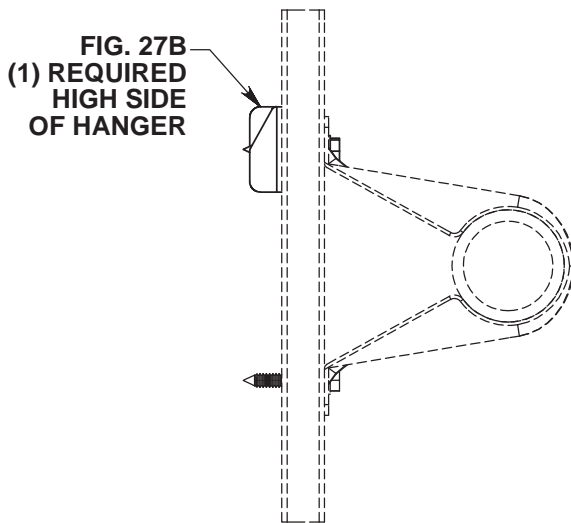
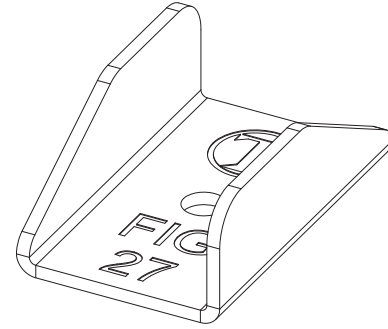
Fig 27B - Speed Nut

Size Range — Fits screws supplied with all TOLCO CPVC hangers.

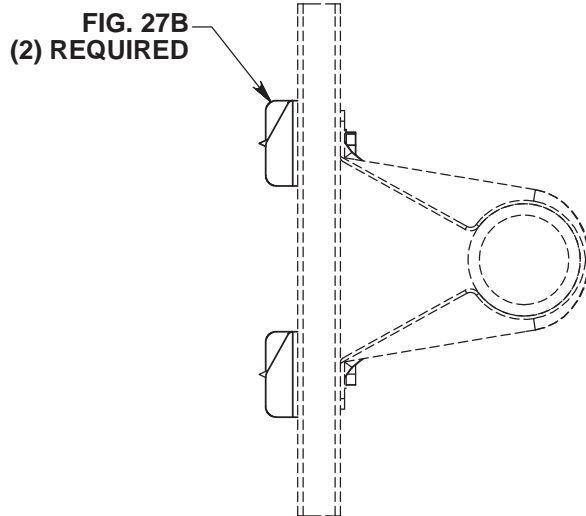
Material — Carbon Steel

Finish — Pre-Galvanized (Zinc)

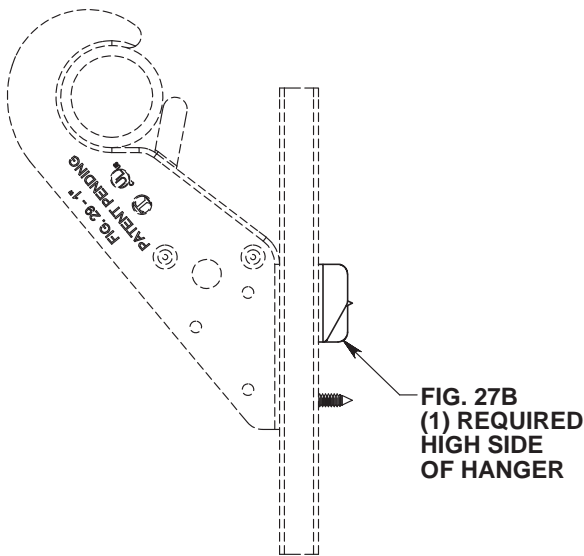
Function — To be used anywhere a screw cannot achieve full embedment due to thickness of wood structural material when installed. Fig. 27B allows full pull out load capacity of screws when installed to the standard screws supplied with all TOLCO CPVC hangers (Fig. 22, 23, 24, 28, 28M & 29).



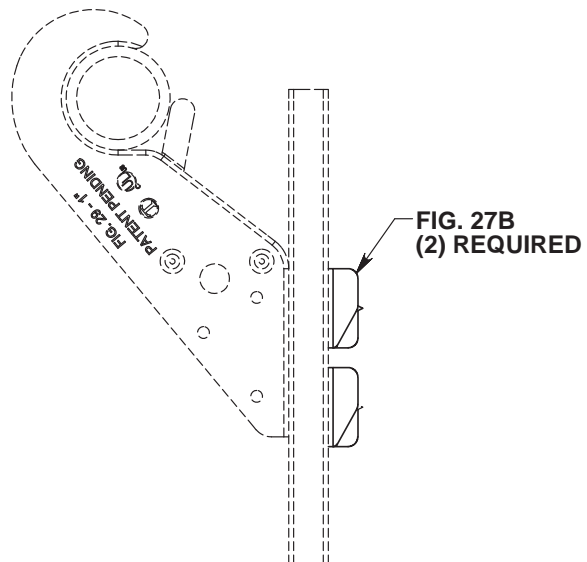
HANGER APPLICATION



HANGER AND RESTRAINT APPLICATION



HANGER APPLICATION



HANGER AND RESTRAINT APPLICATION