

SERIES 300-TY CESSPOOL OR AREA DRAIN With HINGED STRAINER (With Bell)
Cast Iron Body with Square Top
 Perforated Round Hinged Strainer in Cast Iron.
 TY-Seal Hub (TY for push-on connection)

SERIES 300-TY CESSPOOL OR AREA DRAIN with HINGED STRAINER (With Bell)

Ship Code	UPCode 670610	Drain	Outlet	Top	Height A	Strainer B	Wt.
S	026440	TY	2	6x6	4	4 ⁷ / ₈	5.0
S	026488	TY	3	9x9	4 ³ / ₄	6 ⁷ / ₈	11.0
S	026525	TY	4	12x12	5 ¹ / ₄	9 ⁵ / ₈	18.0

300 PARTS/BELL & SCREW (FITS ALL 300's)

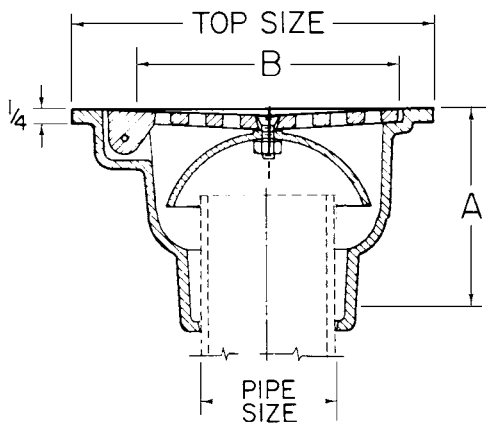
Ship Code	UPCode 670610	Fits Outlet	Bell Size	Wt.
S	363323	2	3 ¹ / ₄	.2
S	363330	3	3 ³ / ₄	.3
S	363347	4	6	.4

300 PARTS/HINGED STRAINER, CAST IRON

Ship Code	UPCode 670610	Fits Outlet	Strainer Size	Wt.
S	026259	2	4 ⁷ / ₈	.8
S	026358	3	6 ⁷ / ₈	1.6
S	026426	4	9 ⁵ / ₈	2.8

300 PARTS/LOOSE STRAINER, CAST IRON

Ship Code	UPCode 670610	Fits Outlet	Strainer Size	Wt.
S	026242	2	4 ⁷ / ₈	.8
S	026365	3	6 ⁷ / ₈	1.6
S	026419	4	9 ⁵ / ₈	2.8



300-IC SERIES CESSPOOL OR AREA DRAIN with LOOSE STRAINER (With Bell)
Cast Iron Body with Square Top
 Perforated Round Loose removable Strainer in Cast Iron. Inside Caulk (IC).

300-IC SERIES CESSPOOL DRAIN with LOOSE STRAINER (With Bell)

Ship Code	UPCode 670610	Drain	Outlet	Top	Height A	Strainer B	Wt.
S	026778	IC	2	6x6	3 ¹ / ₂	4 ⁷ / ₈	4.0
S	026815	IC	3	9x9	5	6 ⁷ / ₈	10.0
S	026853	IC	4	12x12	5	9 ⁵ / ₈	17.0