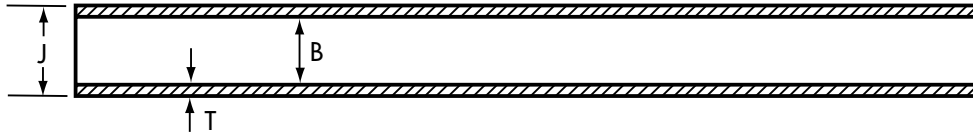




SUBMITTAL ♆ NO-HUB® CAST IRON SOIL PIPE & FITTINGS



NO-HUB PIPE, TEN-FOOT LAYING LENGTH

Ship Code	Dia.	Wt. per 10' [*] lbs.	Per Bundle	
			Pieces	Wt. lbs.
S	1 1/2	25	54	1350
S	2	36	54	1955
S	3	52	36	1855
S	4	74	27	2013
S	5	94	24	2256
S	6	110	18	1998
S	8	180	15	2718
S	10	258	8	2084
S	12	325	6	2130
S	15	497	4	2060

*Note: Weights approximate, for shipping purposes only.

DIMENSIONS AND TOLERANCES

Size	Hubless Pipe Barrels		T Thickness	
	B Inside Diameter	J Outside Diameter	Norm.	Min.
1 1/2	1.50±.09	1.90±.06	.16	.13
2	1.96±.09	2.35±.09	.16	.13
3	2.96±.09	3.35±.09	.16	.13
4	3.94±.09	4.38+.09-.05	.19	.15
5	4.94±.09	5.30+.09-.05	.19	.15
6	5.94±.09	6.30+.09-.05	.19	.15
8	7.94±.13	8.38+13-.09	.23	.17
10*	10.00±.13	10.56±.09	.28	.22
12*	11.94±.13	12.50±.13	.28	.22
15*	15.11±.13	15.83±.13	.36	.30

*O.D. Barrel out of round tolerance of ±.04 is permitted.

"Tyler Pipe Company strongly recommends that its hubless cast iron pipe and fittings be joined with shielded couplings manufactured in accordance with CISPI 310. The use of unshielded couplings or any coupling not meeting the above specifications will void the product warranty"

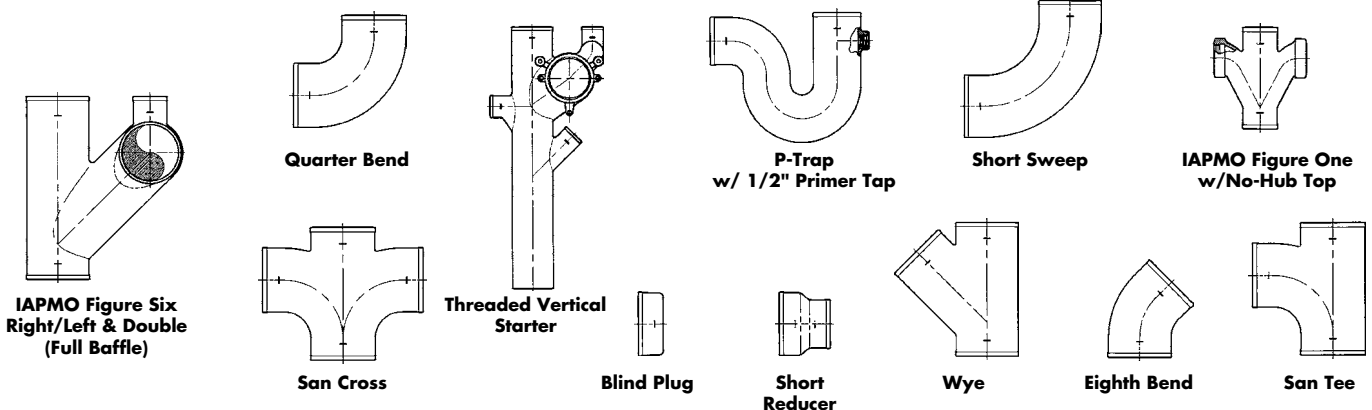
STANDARDS

♆ NO-HUB® Cast Iron Soil Pipe and Fittings:

- CISPI 301: Hubless Cast Iron Soil Pipe and Fittings.
- ASTM A 888 Hubless Cast Iron Soil Pipe and Fittings.
- ASTM C 564: Rubber Gaskets for Cast Iron Soil Pipe and Fittings.

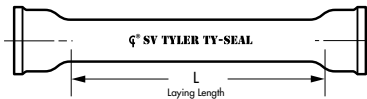
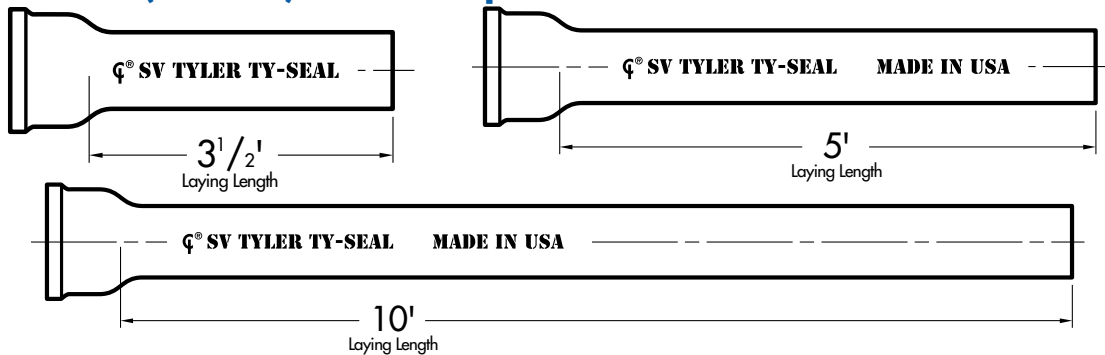
SPECIFICATIONS

"ALL 1 1/2" diameter and larger cast iron soil pipe and fittings for above grade soil, waste, vent lines, rain water conductors and storm drainage lines shall bear the registered insignia ♆ or ♆ NO HUB® indicating that these items used in the sanitary system comply with the Cast Iron Soil Pipe Institute Standards 301 or ASTM A 888.





SUBMITTAL 4 HUB & SPIGOT CAST IRON SOIL PIPE & FITTINGS

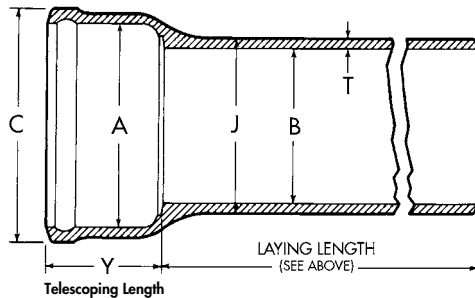


DOUBLE HUB, 30" LENGTHS

Size	L	Wt.
2"	25	12
3"	24 1/2	17
4"	24	26

SV CLASS SINGLE HUB PIPE

3-1/2 Ft.		5 Ft.		10 Ft.	
Size	Wt.	Size	Wt.	Size	Wt.
2	15	2	20	2	38
3	23	3	31	3	52
4	30	4	42	4	76
5	39	5	55	5	97
6	45	6	62	6	128
8	72	8	100	8	190
10	106	10	150	10	270
12	135	12	190	12	325
15	184	15	260	15	497



SV PIPE & FITTINGS

Size	Telescoping Length Y	Hub I.D. A	Hub O.D. C	Barrel O.D. J	Barrel I.D. B	Nominal Thickness T	Minimum Thickness T
2"	2.50	2.94	3.62	2.30	1.96	0.17	0.14
3"	2.75	3.94	4.68	3.30	2.96	0.17	0.14
4"	3.00	4.94	5.68	4.30	3.94	0.18	0.15
5"	3.00	5.94	6.68	5.30	4.94	0.18	0.15
6"	3.00	6.94	7.68	6.30	5.94	0.18	0.15
8"	3.50	9.25	10.13	8.38	7.94	0.23	0.17
10"	3.50	11.38	12.44	10.50	9.94	0.28	0.22
12"	4.25	13.50	14.56	12.50	11.94	0.28	0.22
15"	4.25	16.95	18.11	15.88	15.16	0.36	0.33

SPECIFICATIONS

All 2-inch through 15-inch hub and spigot cast iron soil pipe and fittings shall conform to ASTM A 74; joints shall be made either by caulked lead and oakum or by compression gaskets such as TY-SEAL which conform to ASTM C 564.

STANDARDS

ASTM A 74: Cast Iron Soil Pipe and Fittings.

ASTM C 564: Rubber Gaskets for Cast Iron Soil Pipe and Fittings

