

**Class 125 • Bolted Bonnet • Non-Rising Stem • Bronze Trim • Threaded Ends**

**Figure 460**

Threaded - Bronze Trim

**Size Range:**

2 through 4 inches

**Working Pressures Non-Shock**

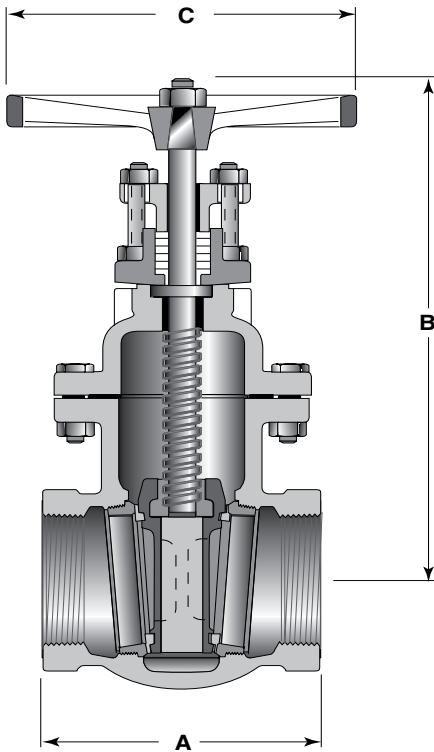
125 psi Steam, Basic Rating

200 psi Cold Working Pressure

**Features**

- Tapered Solid Wedge Disc
- Body Guide Ribs
- Renewable Bronze Seat Rings
- Stem with ACME Double Threads
- Non-Asbestos Packing and Gaskets
- MSS SP-70 Type 1 and MSS SP-25
- ASME B1.20.1

For more detailed features, refer to Page 9.



**Principal Parts & Materials**

Fig. No.	Size	Stem	Seating	End Conn.
460	2" - 4"	Bronze	Bronze	Threaded

**Dimensions and Weights**

Inches (millimeters) - pounds (kilograms)

Valves	2 (50)	2 ½ (65)	3 (80)	4 (100)
A	5.38 (137)	6.62 (168)	7.00 (178)	8.00 (203)
B	11.31 (287)	12.40 (315)	13.25 (337)	16.31 (414)
C	8.00 (203)	8.00 (203)	8.00 (203)	10.00 (254)
Wt.	25 (11)	31 (14)	44 (20)	71 (32)