

Fig. 315 - Adjustable Pipe Support

Size Range — Size 4" thru 10" pipe

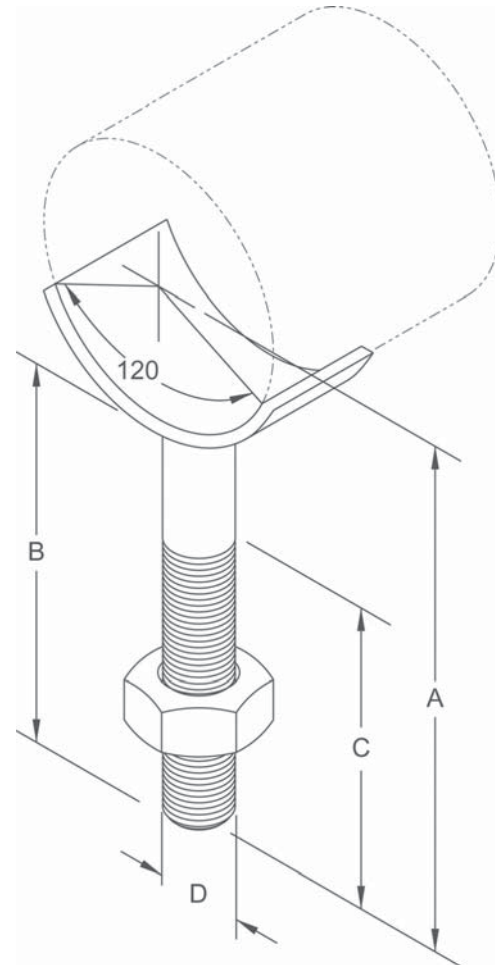
Material — Carbon Steel

Function — Designed to support horizontal pipe from floor stanchion where vertical adjustment is required.

Finish — Plain

Note — Available in Electro-Galvanized and HDG finish or Stainless Steel materials.

Order By — Figure number, pipe size and finish



Dimensions • Weights

Pipe Size	A	B	C	IPS D	Use with Fig. 316 Stand Pipe Size	Approx. Wt./100
4	10 ⁵ / ₈	8	6	1½	2	210
6	11 ¹¹ / ₁₆	8	6	1½	2	219
8	12 ¹¹ / ₁₆	8	6	2	2½	240
10	13¾	8	6	2	2½	240