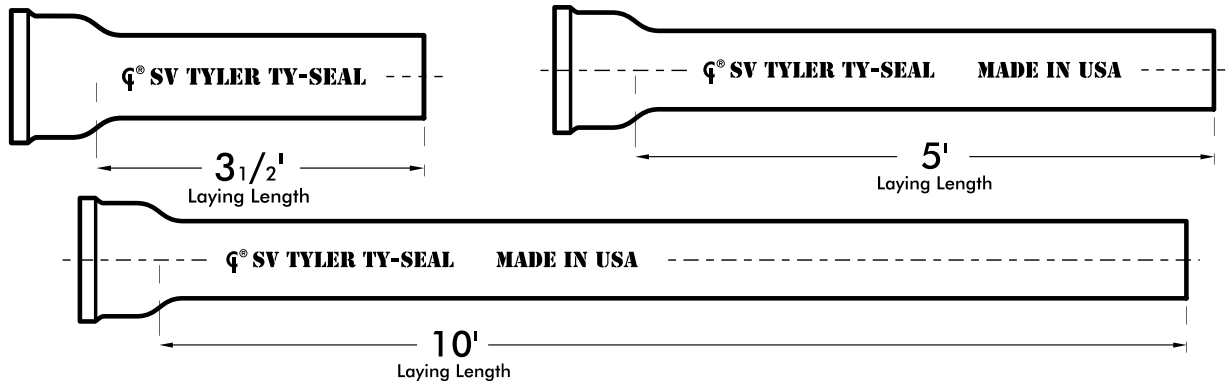




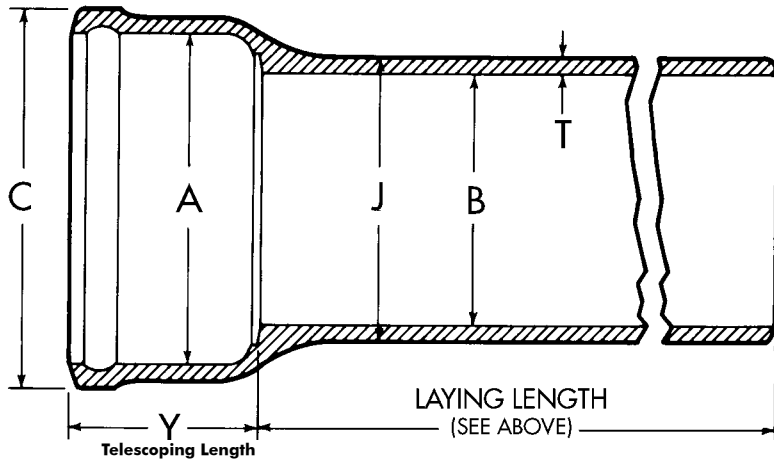
SV (SERVICE) ASA GROUP 021 CAST IRON SOIL PIPE



SV CLASS SINGLE HUB PIPE

3-1/2 Ft.				5 Ft.				10 Ft.			
Ship Code	UPCode 670610	Size	Wt.	Ship Code	UPCode 670610	Size	Wt.	Ship Code	UPCode 670610	Size	Wt.
S	244059	2	15	S	000006	2	20	S	000181	2	38
S	244066	3	23	S	000013	3	31	S	000198	3	52
S	244073	4	30	S	000020	4	42	S	000204	4	76
S	244080	5	39	S	000037	5	55	S	000211	5	97
S	244097	6	45	S	000044	6	62	S	000228	6	128
S	000273	8	72	S	000051	8	100	S	000235	8	190
S	000280	10	106	S	000068	10	150	S	000242	10	270
S	000297	12	135	S	000075	12	190	S	000259	12	355
S	000303	15	184	S	000082	15	260	S	000266	15	515

NOTE: For bundle quantities & weights, see page 27.

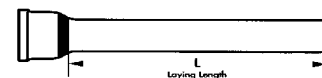


DOUBLE HUB, 30" LENGTHS

Ship Code	UPCode 670610	Size	Wt.
S	000310	2x30"	12
S	000327	3x30"	17
S	000334	4x30"	26

SV CLASS SINGLE HUB PIPE

Size	Telescoping Length Y	Hub I.D. A	Hub O.D. C	Barrel O.D. J	Barrel I.D. B	Nominal Thickness T	Minimum Thickness T
2"	2.50	2.94	3.62	2.30	1.96	0.17	0.14
3"	2.75	3.94	4.68	3.30	2.96	0.17	0.14
4"	3.00	4.94	5.68	4.30	3.94	0.18	0.15
5"	3.00	5.94	6.68	5.30	4.94	0.18	0.15
6"	3.00	6.94	7.68	6.30	5.94	0.18	0.15
8"	3.50	9.25	10.13	8.38	7.94	0.23	0.17
10"	3.50	11.38	12.44	10.50	9.94	0.28	0.22
12"	4.25	13.50	14.56	12.50	11.94	0.28	0.22
15"	4.25	16.95	18.11	15.88	15.16	0.36	0.30



SINGLE HUB, 30" LENGTHS

Ship Code	UPCode 670610	Size	L	Wt.
S	086185	8	30	55
S	274452	10	30	82