

Fig. 111 - Light Weight U-Bolt with 2 Hex Nuts

Size Range — Size 1/2" thru 10" pipe

Material — Carbon Steel

Function — Recommended for supporting or anchoring light pipe loads.

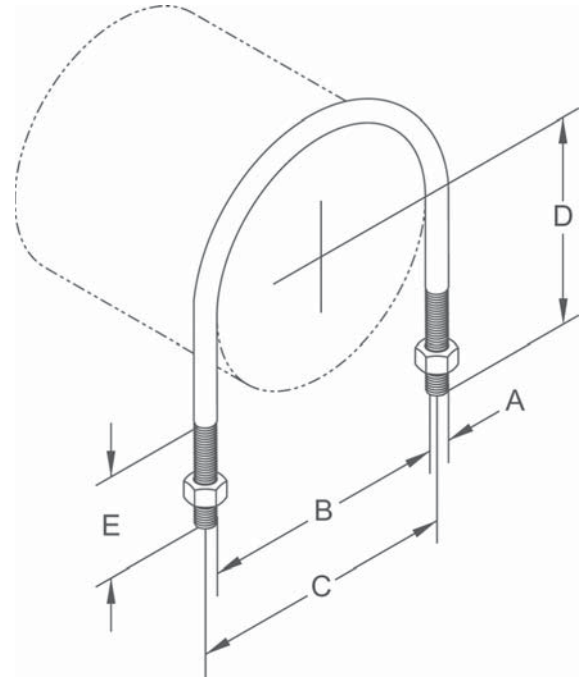
Maximum Temperature — 650°F

Finish — Plain

Note — Available in Electro-Galvanized and HDG finish or Stainless Steel materials.

Order By — Figure number, pipe size and finish

Note — When furnished in Hot-Dip Galvanized finish, oversize tapped hex nuts must be used.



Dimensions • Weights

Rod Size A	Pipe Size	B	C	D	E	Max. Design Load Lbs.	Approx. Wt./100
1/4	1/2	15/16	1 ³ / ₁₆	1 ¹⁵ / ₁₆	1 ³ / ₄	485	8
1/4	3/4	1 ¹ / ₈	1 ³ / ₈	2 ¹ / ₁₆	1 ³ / ₄	485	8
1/4	1	1 ³ / ₈	1 ⁵ / ₈	2 ³ / ₁₆	1 ³ / ₄	485	9
1/4	1 ¹ / ₄	1 ¹¹ / ₁₆	1 ¹⁵ / ₁₆	2 ³ / ₈	1 ³ / ₄	485	9
1/4	1 ¹ / ₂	2	2 ¹ / ₄	2 ⁷ / ₁₆	1 ³ / ₄	485	10
1/4	2	2 ⁷ / ₁₆	2 ¹¹ / ₁₆	2 ¹ / ₁₆	1 ³ / ₄	485	11
3/8	2 ¹ / ₂	2 ¹⁵ / ₁₆	3 ⁵ / ₁₆	3 ¹ / ₁₆	2	1220	31
3/8	3	3 ⁹ / ₁₆	3 ¹⁵ / ₁₆	3 ³ / ₈	2	1220	33
3/8	3 ¹ / ₂	4 ¹ / ₁₆	4 ⁷ / ₁₆	3 ⁵ / ₈	2	1220	40
3/8	4	4 ⁹ / ₁₆	4 ¹⁵ / ₁₆	3 ⁷ / ₈	2	1220	40
3/8	5	5 ⁵ / ₈	6	4 ⁹ / ₁₆	2 ¹ / ₄	1220	47
1/2	6	6 ³ / ₄	7 ¹ / ₄	5 ¹ / ₁₆	2 ¹ / ₄	2260	125
1/2	8	8 ³ / ₄	9 ¹ / ₄	6 ¹ / ₁₆	2 ¹ / ₄	2260	156
5/8	10	10 ⁷ / ₈	11 ¹ / ₂	7 ¹ / ₄	2 ¹ / ₂	3620	318