

Fig. 20 - Standard Pipe Strap

Fig. 20S - Flush Mount Pipe Strap

Size Range — 1/2" thru 8" pipe

Material — Carbon Steel

Function — Recommended for supporting pipe with fittings vertically or horizontally to walls or ceiling. Fig. 20S will support pipe flush with mounting surface.

Approvals — Conforms to Federal Specification WW-H-171E, Type 26 and Manufacturers Standardization Society SP-69, Type 26.

Finish — Plain

Note — Available in Electro-Galvanized and HDG finish or Stainless Steel materials.

Order By — Figure number, pipe size, material and finish

Data Table for Fig. 20S

Dimensions • Weights							
Pipe Sizes	A	B	C	D	Hole Size	Max. Rec. Load Lbs.	Approx. Wt./100
1/2	4 ¹ / ₈	5/16	2 ⁷ / ₈	3/4	7/16	410	21
3/4	4 ⁵ / ₁₆	7/16	3	15/16	7/16	410	24
1	4 ⁹ / ₁₆	9/16	3 ³ / ₈	1 ¹ / ₈	7/16	410	26
1 ¹ / ₄	4 ¹⁵ / ₁₆	1 ¹ / ₁₆	3 ³ / ₄	1 ¹ / ₂	7/16	410	30
1 ¹ / ₂	5 ³ / ₁₆	1 ³ / ₁₆	4 ¹ / ₄	1 ⁵ / ₈	7/16	410	33
2	5 ³ / ₄	1 ¹ / ₁₆	4 ³ / ₄	2 ¹ / ₄	7/16	410	38
2 ¹ / ₂	6 ¹ / ₄	1 ⁹ / ₁₆	5 ¹ / ₄	2 ³ / ₄	7/16	610	102
3	6 ⁷ / ₈	1 ⁵ / ₈	5 ⁷ / ₈	3 ³ / ₈	7/16	610	118
3 ¹ / ₂	7 ³ / ₈	1 ⁷ / ₈	6 ³ / ₈	3 ⁷ / ₈	7/16	610	130
4	8 ³ / ₈	2 ¹ / ₈	7	4 ³ / ₈	9/16	725	159
5	9 ⁷ / ₁₆	2 ⁵ / ₈	7 ⁷ / ₈	5 ³ / ₈	9/16	725	191
6	10 ¹ / ₂	3 ³ / ₁₆	8 ⁷ / ₈	6 ⁷ / ₁₆	9/16	725	234
8	14	4 ¹ / ₄	11 ¹ / ₂	8 ³ / ₈	11/16	900	446

Data Table for Fig. 20

Dimensions • Weights							
Pipe Sizes	A	B	C	D	Hole Size	Max. Rec. Load Lbs.	Approx. Wt./100
1/2	3 ³ / ₈	3/4	3 ¹ / ₁₆	15/32	7/16	410	16
3/4	4	13/16	3 ¹ / ₈	1 ⁵ / ₁₆	7/16	410	21
1	4 ⁹ / ₁₆	7/8	3 ³ / ₈	1 ¹ / ₂	7/16	410	26
1 ¹ / ₄	4 ¹⁵ / ₁₆	1	3 ³ / ₄	1 ⁷ / ₈	7/16	410	30
1 ¹ / ₂	5 ³ / ₁₆	1 ³ / ₁₆	4 ¹ / ₄	2 ¹ / ₈	7/16	410	33
2	5 ³ / ₄	1 ⁷ / ₁₆	4 ³ / ₄	2 ⁵ / ₈	7/16	410	38
2 ¹ / ₂	6 ¹ / ₄	1 ¹¹ / ₁₆	5 ¹ / ₄	3 ¹ / ₈	7/16	610	102
3	6 ⁷ / ₈	2	5 ⁷ / ₈	3 ³ / ₄	7/16	610	118
3 ¹ / ₂	7 ³ / ₈	2 ¹ / ₄	6 ³ / ₈	4 ¹ / ₄	7/16	610	130
4	8 ³ / ₈	2 ¹ / ₂	7	4 ³ / ₄	9/16	725	159
5	9 ⁷ / ₁₆	3 ¹ / ₁₆	7 ⁷ / ₈	5 ¹³ / ₁₆	9/16	725	191
6	10 ¹ / ₂	3 ⁵ / ₈	8 ⁷ / ₈	6 ⁷ / ₈	9/16	725	234
8	14	4 ⁵ / ₈	11 ¹ / ₂	9	11/16	900	446

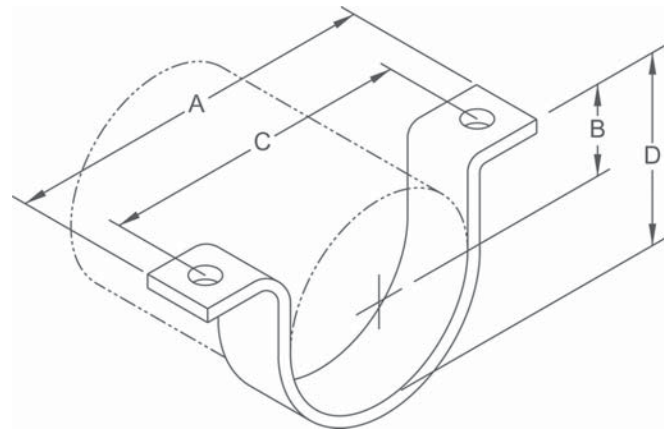


FIG. 21 - "Tin Strap"

Size Range — 1/2" thru 2" pipe

Material — Pre-Galvanized Steel

Function — Light duty strap that attaches pipe or copper tubing to horizontal or vertical structure.

Finish — Pre-Galvanized

Note — Available with felt lining, order TOLCO® Fig. 21F.

Order By — Figure number and pipe size

