

Fig. 110 - Standard U-Bolt with 4 Hex Nuts

Size Range — Size 1/2" thru 36" pipe

Material — Carbon Steel

Function — Recommended for support, anchor or guide of pipe.

Approvals — Conforms to Federal Specification WW-H-171E, Type 24 and Manufacturers Standardization Society SP-69 Type 24.

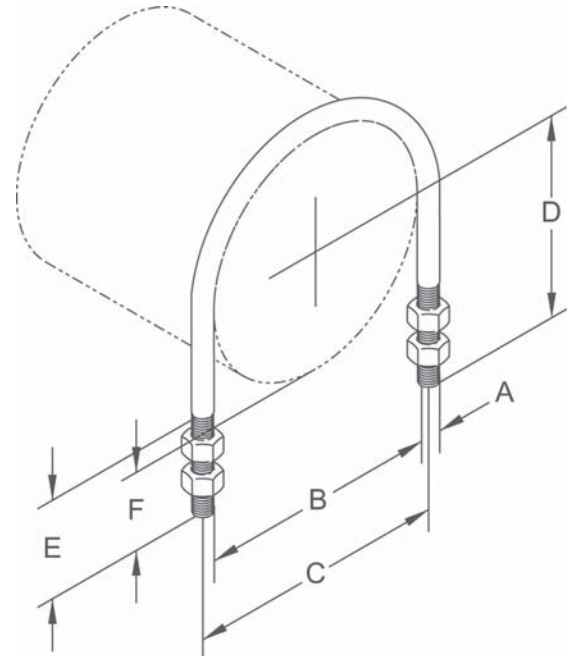
Maximum Temperature — 750°F

Finish — Plain

Note — Available in Electro-Galvanized and HDG finish or Stainless Steel materials.

Order By — Figure number, rod size and pipe size. U-bolt can be furnished with longer tangents "D" or with longer threads "E". Consult factory.

Note — When furnished in Hot-Dip Galvanized finish, oversize tapped hex nuts must be used.



Dimensions • Weights

Rod Size A	Pipe Size	B	C	D	E	F	Max. Rec. Load Lbs.		Approx. Wt./100
							for Service Temps. 650°F	750°F	
1/4	1/2	15/16	1 ³ / ₁₆	2 ³ / ₄	2 ¹ / ₈	2 ⁵ / ₁₆	485	435	11
1/4	3/4	1 ¹ / ₈	1 ³ / ₈	2 ³ / ₄	2 ¹ / ₈	2 ⁷ / ₃₂	485	435	12
1/4	1	1 ³ / ₈	1 ⁵ / ₈	2 ³ / ₄	2 ¹ / ₈	2 ³ / ₃₂	485	738	12
3/8	1 ¹ / ₄	1 ¹¹ / ₁₆	2 ¹ / ₁₆	2 ⁷ / ₈	2 ¹ / ₈	2 ¹ / ₃₂	1220	1090	28
3/8	1 ¹ / ₂	2	2 ³ / ₈	3	2 ¹ / ₂	2 ¹ / ₁₆	1200	1090	30
3/8	2	2 ⁷ / ₁₆	2 ¹³ / ₁₆	3 ¹ / ₄	2 ¹ / ₂	2 ¹ / ₁₆	1220	1090	33
1/2	2 ¹ / ₂	2 ¹⁵ / ₁₆	3 ⁷ / ₁₆	3 ³ / ₄	3	2 ⁵ / ₁₆	2260	2020	85
1/2	3	3 ³ / ₁₆	4 ¹ / ₁₆	4	3	2 ¹ / ₄	2260	2020	93
1/2	3 ¹ / ₂	4 ¹ / ₁₆	4 ⁹ / ₁₆	4 ¹ / ₄	3	2 ¹ / ₄	2260	2020	101
1/2	4	4 ⁹ / ₁₆	5 ¹ / ₁₆	4 ¹ / ₂	3	2 ¹ / ₄	2260	2020	110
1/2	5	5 ⁵ / ₁₆	6 ¹ / ₁₆	5	3	2 ⁷ / ₃₂	2260	2020	124
5/8	6	6 ³ / ₄	7 ³ / ₈	6 ¹ / ₈	3 ³ / ₄	2 ¹³ / ₁₆	3620	3230	200
5/8	8	8 ³ / ₄	9 ³ / ₈	7 ¹ / ₈	3 ³ / ₄	2 ¹³ / ₁₆	3620	3230	230
3/4	10	10 ⁷ / ₈	11 ⁵ / ₈	8 ³ / ₈	4	3	5420	4830	486
7/8	12	12 ⁷ / ₈	13 ³ / ₄	9 ⁵ / ₈	4 ¹ / ₄	3 ¹ / ₄	7540	6730	790
7/8	14	14 ¹ / ₈	15	10 ¹ / ₄	4 ¹ / ₄	3 ¹ / ₄	7540	6730	850
7/8	16	16 ¹ / ₈	17	11 ¹ / ₄	4 ¹ / ₄	3 ¹ / ₄	7540	6730	935
1	18	18 ¹ / ₈	19 ¹ / ₈	12 ⁵ / ₈	4 ³ / ₄	3 ⁵ / ₈	9920	8850	1360
1	20	20 ¹ / ₈	21 ¹ / ₈	13 ⁵ / ₈	4 ³ / ₄	3 ⁵ / ₈	9920	8850	1476
1	24	24 ¹ / ₈	25 ¹ / ₈	15 ⁵ / ₈	4 ³ / ₄	3 ⁵ / ₈	9920	8850	1698
1	30	30 ¹ / ₈	31 ¹ / ₈	18 ⁵ / ₈	4 ³ / ₄	3 ⁵ / ₈	9920	8850	2027
1	36	36 ¹ / ₈	37 ¹ / ₈	21 ⁵ / ₈	4 ³ / ₄	3 ⁵ / ₈	9920	8850	