

## Fig. 52 - Six Hole Side Beam Bracket

**Size Range** — 3/8" and 1/2" rod, 1/2" thru 3 1/2" pipe

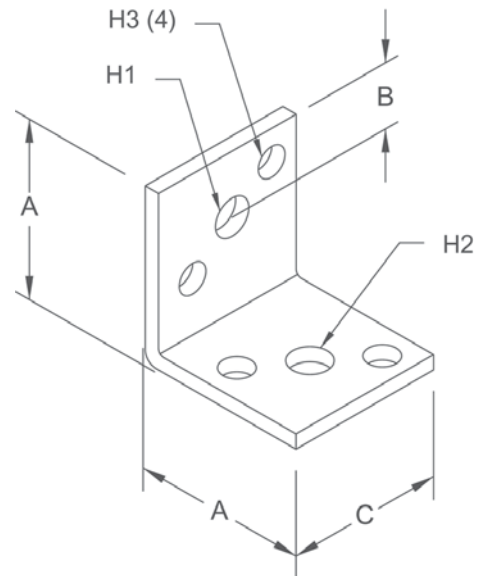
**Material** — Carbon Steel

**Function** — Recommended for attaching hanger rod to steel or wood beams.

**Finish** — Plain

**Note** — Available in Electro-Galvanized and HDG finish or Stainless Steel materials.

**Order By** — Figure number, rod size and finish



### Dimensions • Weights

Rod Size	A	B	C	Hole Size			Max. Rec. Load Lbs.	Approx. Wt./100
				H-1	H-2	H-3		
3/8 x 1/2	2	13/16	2	9/16	7/16	5/16	700	35
1/2 x 1/2	2	3/4	2	9/16	9/16	5/16	700	34

## Fig. 56 - Tapped Side Beam Connector, in Stainless Steel

**Size Range** — 1/2" thru 4" pipe (3/8" rod).

**Material** — Stainless Steel

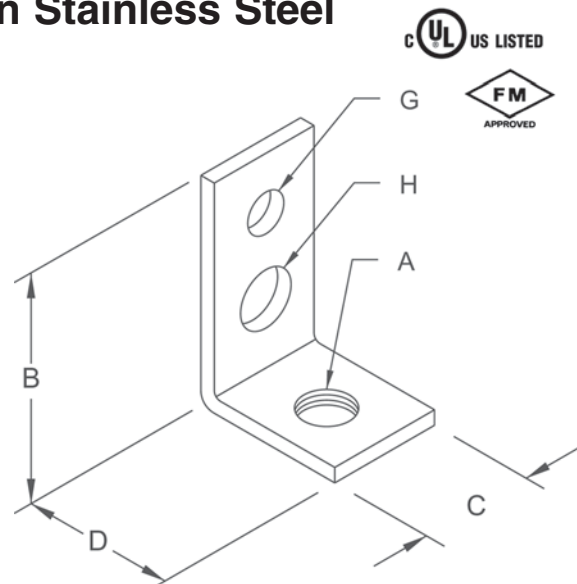
**Function** — Recommended for attaching hanger rod to steel or wood beams. Tapped hole allows easy adjustment of hanger rod.

**Approvals** — Underwriters' Laboratories Listed in the USA (**UL**) and Canada (**cUL**), and Factory Mutual Engineering approved for 1/2" thru 4" pipe.

**Note** — Available only in Stainless Steel materials.

**Order By** — Figure number, rod size and stainless steel finish

**Note** — Per NFPA 13: 1/2" thru 2" pipe use 3/8" fastener; 2 1/2" thru 4" pipe, use 1/2" fastener.



### Dimensions • Weights

Pipe Size	Rod Size A	B	C	D	Hole Size		Approx. Wt./100
					G	H	
1/2 - 4	3/8	2 5/8	1	1 1/4	7/16	9/16	20