

# FLUSH FIRE DEPT INLET CONNECTIONS

POTTER-ROEMER



A Division of Smith Industries, Inc.

## SINGLE INLET

**FUNCTION:** Used as an auxiliary inlet connection to supplement the fire protection water supply. Provides unobstructed waterway. Flush design desirable when appearance is a factor.

**REGULARLY FURNISHED:** Brass plate with lettering as selected. Polished brass snoot with rigid end NPT x pin lug hose thread swivel, pin lug plug and chain. Round or square plate; size as selected by model number.

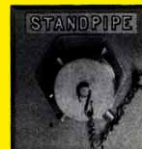
With 4 1/2" / 11.4 cm Round Plate			With 8" / 20.3 cm Round Plate		With 8" / 20.3 cm Square Plate	
Model	Type	Size	Model	Size	Model	Size
5005	F x F	1 1/2" / 3.8 cm	5011	2 1/2" / 6.4 cm	5016	2 1/2" / 6.4 cm
			5012	2 1/2" x 3" / 6.4 cm x 7.6 cm	5017	2 1/2" x 3" / 6.4 cm x 7.6 cm
			5013	3" / 7.6 cm	5018	3" / 7.6 cm

**OPTIONAL FINISHES:** -D

Polished chrome plated (Refer to page 6 for special finishes)

**LETTERING:** AUTO SPKR  
STANDPIPE

**SPECIFY:** Thread and lettering

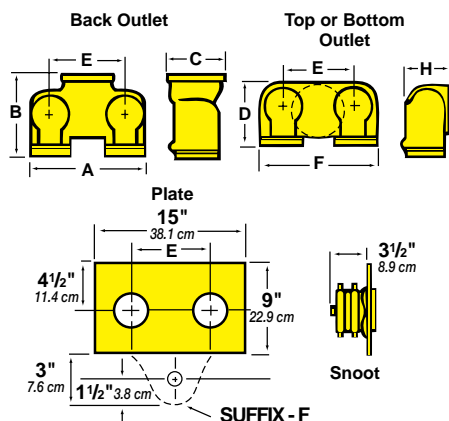


**5005-5018**

**FUNCTION:** Used as an auxiliary inlet connection to supplement the fire protection water supply. Drop clappers provide unobstructed waterway. Flush design desirable when appearance is a factor.

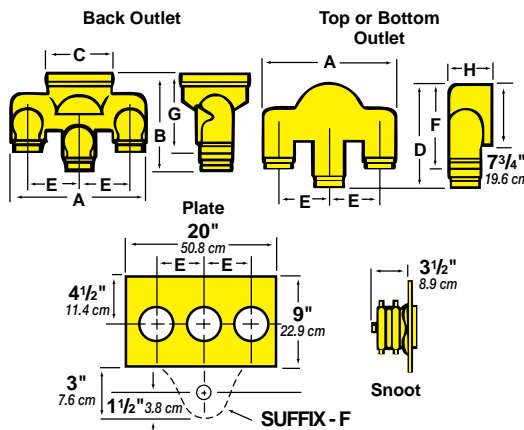
**REGULARLY FURNISHED:** Cast brass body with drop clappers. Size, outlet location and number of inlets as selected by model number. Polished brass plate with lettering as selected. Polished brass 2 1/2" / 6.4 cm double female snoots with rigid end NPT x pin lug hose thread swivels, pin lug plugs and chains.

## TWO-WAY INLET



-G 3" / 7.6 cm Female Hose Thread Inlet

## THREE-WAY INLET



**5021-5027**

Model No.	Outlet Location	Size in. cm	UL Listed	FM Approval	A in. cm	B in. cm	C in. cm	D in. cm	E in. cm	F in. cm	G in. cm	H in. cm	No. Inlets
5021	Back	4 x 2 1/2 x 2 1/2 10.2 x 6.4 x 6.4	YES	NO	11 27.9	6 15.2	5 1/2 14	6 15.2	7 17.8	11 27.9	—	5 1/4 14.6	2
5025	Back	6 x 2 1/2 x 2 1/2 15.2 x 6.4 x 6.4	NO	NO	12 3/4 32.3	8 3/4 22.2	7 3/4 19.6	9 1/2 24.7	7 1/2 19	12 30.4	—	5 1/4 13.3	2
5031	Back	6 x 2 1/2 x 2 1/2 x 2 1/2 15.2 x 6.4 x 6.4 x 6.4	NO	NO	16 40.6	11 27.9	7 3/4 19.6	12 1/2 31.7	6 15.2	10 25.4	6 15.2	5 1/2 14	3
5022	Bottom	4 x 2 1/2 x 2 1/2 10.2 x 6.4 x 6.4	YES	NO	11 27.9	6 15.2	5 1/2 14	6 15.2	7 17.8	11 27.9	—	5 1/4 14.6	2
5026	Bottom	6 x 2 1/2 x 2 1/2 15.2 x 6.4 x 6.4	NO	NO	12 3/4 32.2	8 3/4 22.2	7 3/4 19.6	9 1/2 24.7	7 1/2 19	12 30.4	—	5 1/4 13.3	2
5032	Bottom	6 x 2 1/2 x 2 1/2 x 2 1/2 15.2 x 6.4 x 6.4 x 6.4	NO	NO	16 40.6	11 27.9	7 3/4 19.6	12 1/2 31.7	6 15.2	10 25.4	6 15.2	5 1/2 14	3
5023	Top	4 x 2 1/2 x 2 1/2 10.2 x 6.4 x 6.4	YES	NO	11 27.9	6 15.2	5 1/2 14	6 15.2	7 17.8	11 27.9	—	5 1/4 14.6	2
5027	Top	6 x 2 1/2 x 2 1/2 15.2 x 6.4 x 6.4	NO	NO	12 3/4 32.3	8 3/4 22.2	7 3/4 19.6	9 1/2 24.7	7 1/2 19	12 30.4	—	5 1/4 13.3	2
5033	Top	6 x 2 1/2 x 2 1/2 x 2 1/2 15.2 x 6.4 x 6.4 x 6.4	NO	NO	16 40.6	11 27.9	7 3/4 19.6	12 1/2 31.7	6 15.2	10 25.4	6 15.2	5 1/2 14	3

**OPTIONAL FINISHES:**

-D Polished Chrome Plated  
-SS Polished Stainless Steel Plate  
(Refer to page 6 for special finishes)

**LETTERING AVAILABLE:**

AUTO SPKR  
STANDPIPE  
DRY STANDPIPE  
AUTO SPKR STANDPIPE  
(Refer to page 5-8 for special lettering)

**VARIATION:**

-F Sillcock Flange Plate with Sillcock

**SPECIFY:** Thread and lettering



**5031-5033**



# FLUSH FIRE DEPT INLET CONNECTIONS — CLAPPER BODY TYPE

## SELECTION AND ORDERING INFORMATION

**FUNCTION:** Used as an auxiliary inlet connection to supplement the fire protection water supply. Provides a range from 500 GPM/1892 lpm to 1500 GPM/5678 lpm minimums at 250 GPM/946 lpm per inlet. (Ref. NFPA 14.) Drop clappers provide unobstructed waterway. Flush design desirable when appearance is a factor. Multiple outlet locations and number of inlets provides wide range of selection to meet most installation requirements.

**REGULARLY FURNISHED:** Cast brass or ductile iron (thermally-fused red polyester coated) body with drop clappers. Type and size of outlet and number of inlets as selected by model number. Polished brass double female snoots with rigid end 3" x 2 1/2" NPT/7.6 cm x 6.4 cm pin lug hose thread swivels, pin lug plugs and chains. Outlet location as selected by suffix letters.

**ORDERING INFORMATION:**

- Select location of outlet
- Select number of inlets
- Select size of outlet
- Select body material (brass or ductile iron)
- Select outlet location by suffix letters (Refer to page 5-4)
- Select lettering on plate
- Select thread

**OPTIONAL FINISHES:**

- D Polished Chrome Plated
  - SS Polished Stainless Steel Plate
- (Refer to page 6 for special finishes)

**VARIATION:**

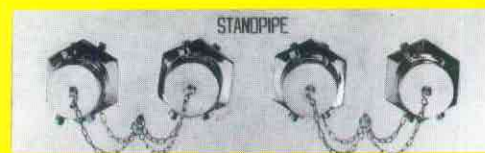
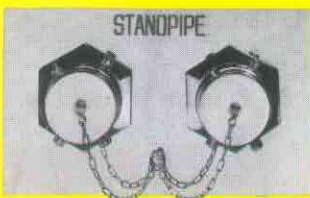
- F Sillcock Flange Plate with Sillcock

**LETTERING AVAILABLE:**

- AUTO SPKR
  - STANDPIPE
  - DRY STANDPIPE
  - AUTO SPKR STANDPIPE
- (Refer to page 5 for special lettering)

**SPECIFY:** Thread and lettering

Model No.	Outlet Location	No. Inlets	Outlet Size in. / cm	UL Listed	Body Material	Dimensions				
						A in. / cm	B in. / cm	C in. / cm	D in. / cm	E in. / cm
<b>Two-Way</b>										
5104	Back	2	4 / 10.2	NO	Brass	5 1/4 / 13.3	14 / 35.5	15 / 38.1	—	7 1/2
5114	Back	2	4 / 10.2	YES	Ductile Iron	5 1/4 / 13.3	14 / 35.5	15 / 38.1	—	7 1/2
5116	Back	2	6 / 15.2	YES	Ductile Iron	7 1/4 / 19.6	14 / 35.5	15 / 38.1	—	7 1/2
5124	Angle	2	4 / 10.2	NO	Brass	5 1/4 / 13.3	14 / 35.5	15 / 38.1	—	7 1/2
5134	Angle	2	4 / 10.2	YES	Ductile Iron	5 1/4 / 13.3	14 / 35.5	15 / 38.1	—	7 1/2
5136	Angle	2	6 / 15.2	YES	Ductile Iron	7 1/4 / 19.6	14 / 35.5	15 / 38.1	—	7 1/2
5144	End	2	4 / 10.2	NO	Brass	5 1/4 / 13.3	14 / 35.5	15 / 38.1	—	7 1/2
5154	End	2	4 / 10.2	YES	Ductile Iron	5 1/4 / 13.3	14 / 35.5	15 / 38.1	—	7 1/2
5166	End	2	6 / 15.2	YES	Ductile Iron	7 1/4 / 19.6	14 / 35.5	15 / 38.1	—	7 1/2
<b>Four-Way</b>										
5206	Back	4	6 / 15.2	YES	Brass	7 1/4 / 19.6	29 / 73.6	30 / 76.2	—	8 1/2 / 21.5
5216	Back	4	6 / 15.2	YES	Ductile Iron	7 1/4 / 19.6	29 / 73.6	30 / 76.2	—	8 1/2 / 21.5
5226	Angle	4	6 / 15.2	YES	Brass	7 1/4 / 19.6	29 / 73.6	30 / 76.2	—	8 1/2 / 21.5
5236	Angle	4	6 / 15.2	YES	Ductile Iron	7 1/4 / 19.6	29 / 73.6	30 / 76.2	—	8 1/2 / 21.5
5246	End	4	6 / 15.2	YES	Brass	7 1/4 / 19.6	29 / 73.6	30 / 76.2	—	8 1/2 / 21.5
5256	End	4	6 / 15.2	YES	Ductile Iron	7 1/4 / 19.6	29 / 73.6	30 / 76.2	—	8 1/2 / 21.5
<b>Six-Way</b>										
5306	Back	6	6 / 15.2	NO	Brass	7 1/4 / 19.6	43 / 109.2	44 1/4 / 112.3	—	8 1/2 / 21.5
5308	Back	6	8 / 20.3	NO	Brass	9 1/4 / 24.7	43 / 109.2	44 1/4 / 112.3	—	8 1/2 / 21.5
5326	Angle	6	6 / 15.2	NO	Brass	7 1/4 / 19.6	43 / 109.2	44 1/4 / 112.3	—	8 1/2 / 21.5
5328	Angle	6	8 / 20.3	NO	Brass	9 1/4 / 24.7	43 / 109.2	44 1/4 / 112.3	—	8 1/2 / 21.5
5346	End	6	6 / 15.2	NO	Brass	7 1/4 / 19.6	43 / 109.2	44 1/4 / 112.3	—	8 1/2 / 21.5
5348	End	6	8 / 20.3	NO	Brass	9 1/4 / 24.7	43 / 109.2	44 1/4 / 112.3	—	8 1/2 / 21.5
<b>Four-Way Square</b>										
5406	Back	4	6 / 15.2	NO	Brass	7 1/2 / 19	12 / 30.4	—	8 1/4 / 22.2	8 / 20.3
5416	Back	4	6 / 15.2	YES	Brass	7 1/2 / 19	12 / 30.4	—	8 1/4 / 22.2	8 / 20.3
5426	Angle	4	6 / 15.2	NO	Ductile Iron	7 1/2 / 19	12 / 30.4	—	8 1/4 / 22.2	8 / 20.3
5436	Angle	4	6 / 15.2	YES	Ductile Iron	7 1/2 / 19	12 / 30.4	—	8 1/4 / 22.2	8 / 20.3



**5104-5156**

**5206-5256**

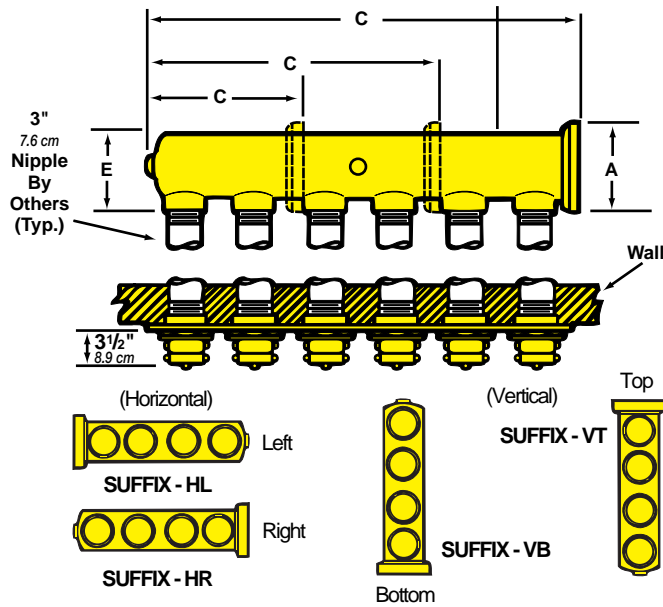
# FLUSH FIRE DEPT INLET CONNECTIONS – CLAPPER BODY TYPE

POTTER-ROEMER

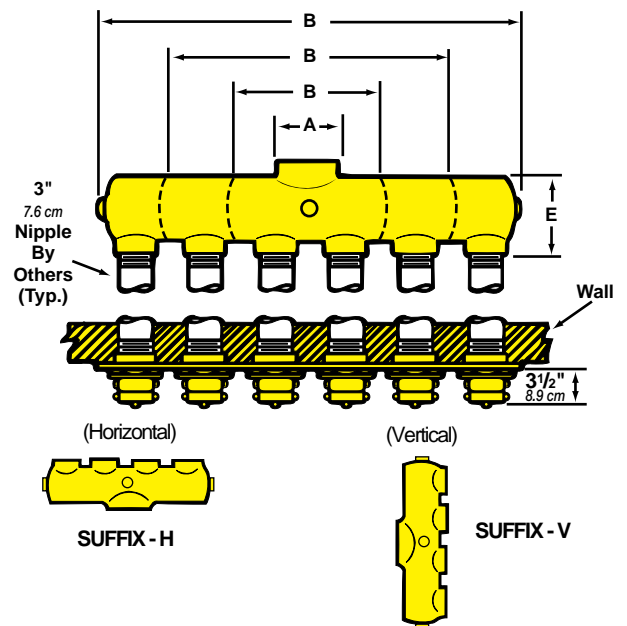


A Division of Smith Industries, Inc.

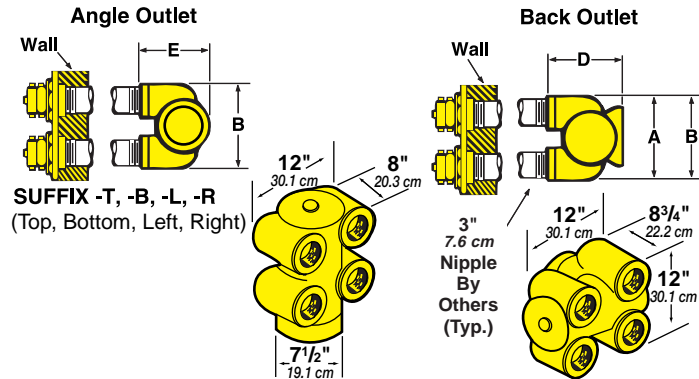
## WITH END-OUTLET BODY



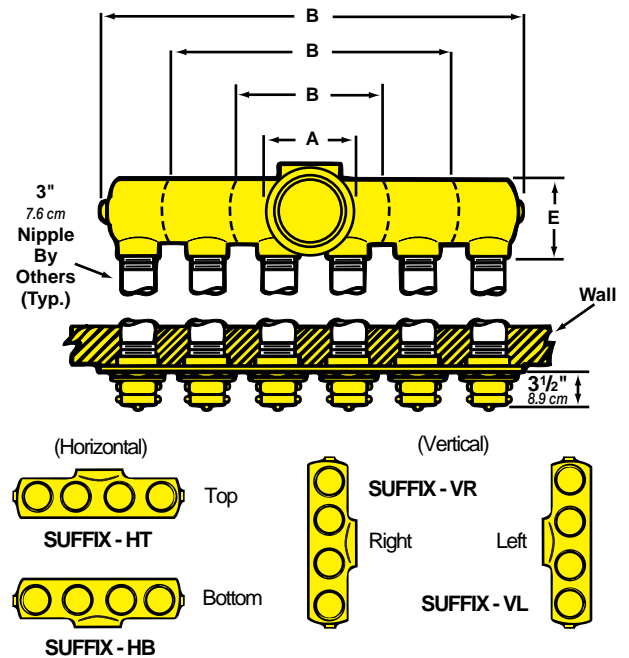
## WITH BACK-OUTLET BODY



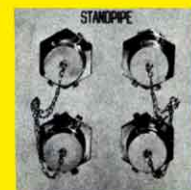
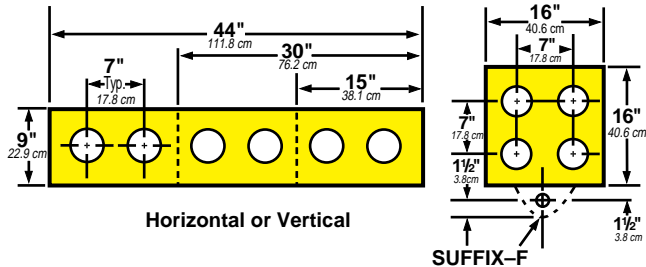
## FOUR-WAY SQUARE BODY



## WITH ANGLE-OUTLET BODY



## PLATES



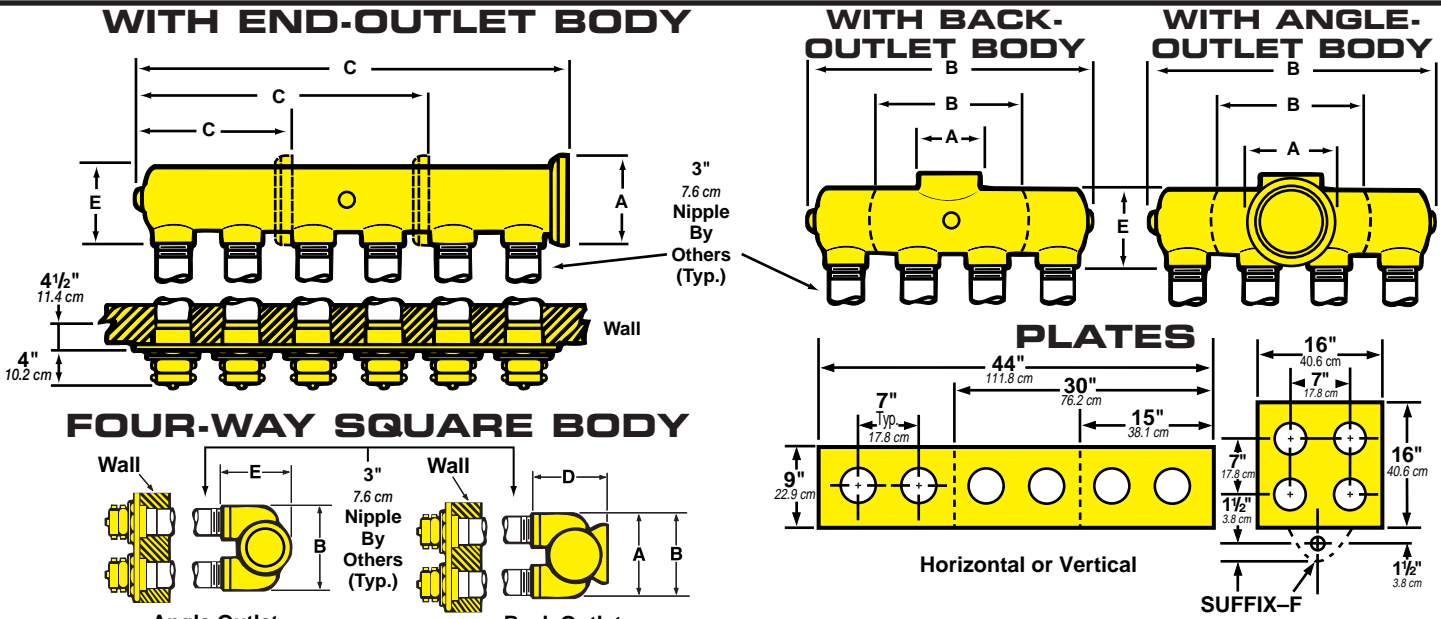
5306-5348

5406-5436

NOTE: ALWAYS INDICATE HOSE THREAD REQUIREMENTS

All dimensions in English and Metric.

# FLUSH FIRE DEPT INLET CONNECTIONS – CLAPPER SNOOT TYPE



Installation		No. Inlets	Outlet Size in. cm	Outlet Location	Body Material	Dimensions				
Vertical Model No.	Horizontal Model No.					A in. cm	B in. cm	C in. cm	D in. cm	E in. cm
<b>Two-Way</b>										
5521	5525	2	4 10.2	End	Brass	6 15.2	—	15 1/4 38.7	—	5 1/2 14
5522	5526	2	4 10.2	End	Ductile Iron	5 1/4 13.3	—	15 38.1	—	7 1/2 19
5523	5527	2	4 10.2	Back	Ductile Iron	5 1/4 13.3	14 35.5	—	—	7 1/2 19
5524	5528	2	4 10.2	Angle	Ductile Iron	5 1/4 13.3	14 35.5	—	—	7 1/2 19
5532	5536	2	6 15.2	End	Ductile Iron	7 3/4 19.6	—	15 38.1	—	7 1/2 19
5533	5537	2	6 15.2	Back	Ductile Iron	7 3/4 19.6	14 35.5	—	—	7 1/2 19
5534	5538	2	6 15.2	Angle	Ductile Iron	7 3/4 19.6	14 35.5	—	—	7 1/2 19
<b>Four-Way</b>										
5541	5545	4	6 15.2	End	Brass	7 3/4 19.3	—	28 3/4 73	—	7 3/4 19.3
5542	5546	4	6 15.2	End	Ductile Iron	7 3/4 19.6	—	30 76.2	—	7 3/4 19.6
5543	5547	4	6 15.2	Back	Ductile Iron	7 3/4 19.6	29 73.6	—	—	7 3/4 19.6
5544	5548	4	6 15.2	Angle	Ductile Iron	7 3/4 19.6	29 73.6	—	—	7 3/4 19.6
<b>Six-Way</b>										
5561	5565	6	6 15.2	End	Brass	7 3/4 19.3	—	43 109.2	—	7 3/4 19.3
5567	5569	6	8 20.3	End	Brass	9 1/2 24.1	—	43 109.2	—	7 3/4 19.3
<b>Four-Way Square</b>										
5581		4	6 15.2	Angle	Brass	—	13 33	—	—	8 20.3
5582		4	6 15.2	Angle	Ductile Iron	—	12 30.4	—	—	8 20.3
5585		4	6 15.2	Back	Brass	7 1/2 19	13 33	—	8 3/4 22.2	—
5586		4	6 15.2	Back	Ductile Iron	7 17.8	13 33	—	8 3/4 22.2	—

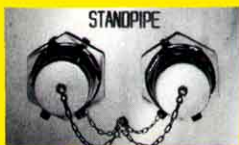
**FUNCTION:** Used as an auxiliary inlet connection to supplement the fire protection water supply. Flush design desirable when appearance is a factor.

**REGULARLY FURNISHED:** Cast brass or ductile iron (thermally-fused red polyester coated) body. Type and size of outlet and number of inlets as selected by model number. Polished brass plate with lettering as selected. U/L listed polished brass double female clapper snoots with rigid end 3"/76.2 cm NPT x 2 1/2"/6.4 cm pin lug hose thread swivels, pin lug plugs and chains.

**LETTERING AVAILABLE:**  
 AUTO SPKR  
 STANDPIPE  
 DRY STANDPIPE  
 AUTO SPKR STANDPIPE  
 (Refer to page 5-8 for special lettering)

**OPTIONAL FINISHES:**  
 -D Polished Chrome Plated  
 -SS Polished Stainless Steel (plate only)  
 (Refer to page 6 for special finishes)

**SPECIFY:** Thread and lettering  
**VARIATIONS:**  
 -F Sillcock Flange Plate with Sillcock  
 -G 3"/76.2 cm Female hose thread inlet (with -SP only)  
 -SP Spring Check Snoots (non-UL)



5521 thru 5538



5541 thru 5548



5561 thru 5569



5581 thru 5586

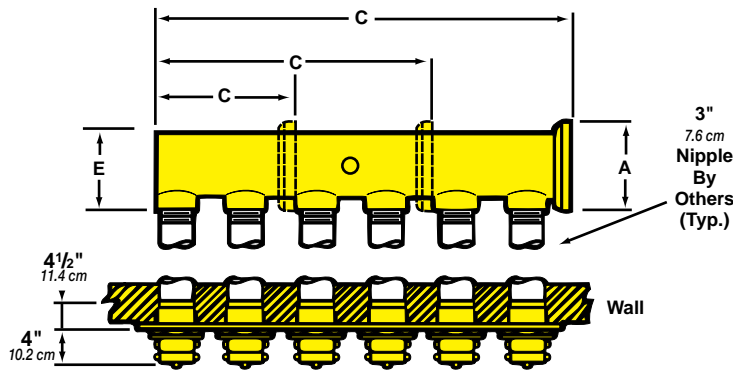
# FLUSH FIRE DEPT INLET CONNECTIONS – CLAPPER SNOOT TYPE

POTTER-ROEMER

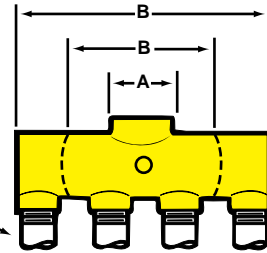


A Division of Smith Industries, Inc.

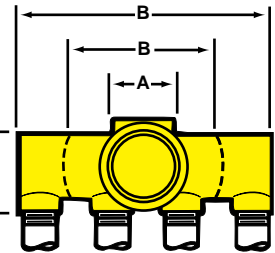
## WITH END-OUTLET BODY



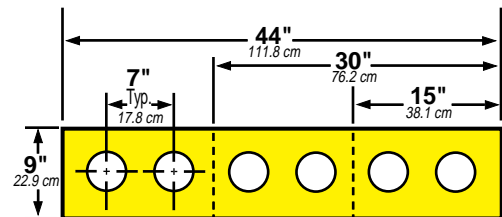
## WITH BACK-OUTLET BODY



## WITH ANGLE-OUTLET BODY



## PLATES



Horizontal or Vertical

Installation		No. Inlets	Outlet Size in. cm	Outlet Location	Body Material	Dimensions			
Vertical Model No.	Horizontal Model No.					A in. cm	B in. cm	C in. cm	D in. cm
<b>Two-Way</b>									
5587-01	5587-02	2	4 10.2	End	Steel	4 7/8 12.4	—	16 40.6	6 1/4 15.9
5587-03	5587-04	2	4 10.2	Back	Steel	4 7/8 12.4	16 40.6	—	4 1/2 11.4
5587-05	5587-06	2	4 10.2	Angle	Steel	4 7/8 12.4	16 40.6	—	4 1/2 11.4
5588-01	5588-02	2	6 15.2	End	Steel	7 1/16 18.9	—	16 40.6	8 5/8 21.9
5588-03	5588-04	2	6 15.2	Back	Steel	7 1/16 18.9	16 40.6	—	6 7/8 16.8
5588-05	5588-06	2	6 15.2	Angle	Steel	7 1/16 18.9	16 40.6	—	6 7/8 16.8
<b>Four-Way</b>									
5589-01	5589-02	4 10.2	6 15.2	End	Steel	7 1/16 18.9	—	30 25.4	8 5/8 21.9
5589-03	5589-04	4 10.2	6 15.2	Back	Steel	7 1/16 18.9	30 25.4	—	6 7/8 16.8
5589-05	5589-06	4 10.2	6 15.2	Angle	Steel	7 1/16 18.9	30 25.4	—	6 7/8 16.8
<b>Six-Way</b>									
5590-01	5590-02	6 15.2	6 15.2	End	Steel	7 1/16 18.9	—	44 111.8	8 5/8 21.9
5590-03	5590-04	6 15.2	6 15.2	Back	Steel	7 1/16 18.9	44 111.8	—	6 7/8 16.8
5590-05	5590-06	6 15.2	6 15.2	Angle	Steel	7 1/16 18.9	44 111.8	—	6 7/8 16.8
5591-01	5591-02	6 15.2	8 20.3	End	Steel	9 3/4 24.8	—	44 111.8	8 5/8 21.9
5591-03	5591-04	6 15.2	8 20.3	Back	Steel	9 3/4 24.8	44 111.8	—	6 7/8 16.8
5591-05	5591-06	6 15.2	8 20.3	Angle	Steel	9 3/4 24.8	44 111.8	—	6 7/8 16.8

**FUNCTION:** Used as an auxiliary inlet connection to supplement the fire protection inlet water supply. Flush design desirable when appearance is a factor.

**REGULARLY FURNISHED:** Steel body, thermally-fused red polyester coating. Type and size of outlet and number of inlets as selected by Model Number. Polished brass plate with lettering as selected. U/L listed polished brass double female clapper snoots with rigid end 3"/76.2 cm NPT x 2 1/2"/6.4 cm pin lug hose thread swivels, pin lug plugs and chains.

**SPECIFY:** Thread and lettering

### LETTERING AVAILABLE:

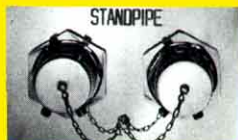
AUTO SPKR  
STANDPIPE  
DRY STANDPIPE  
AUTO SPKR STANDPIPE

### OPTIONAL FINISHES:

–D Polished Chrome Plated  
–SS Polished Stainless Steel (plate only)  
(Refer to page 6 for special finishes)

### VARIATIONS:

–F Sillcock Flange Plate with Sillcock  
–G 3"/76.2 cm Female hose thread inlet (with –SP only)  
–SP Spring Check Snoots (non-UL)  
–GR Grooved Outlet



5587-01 thru  
5588-06



5589-01 thru  
5589-06



5590-01 thru  
5591-06

All dimensions in English and Metric.