

# 250 PSI WWP Iron Body Gate Valves

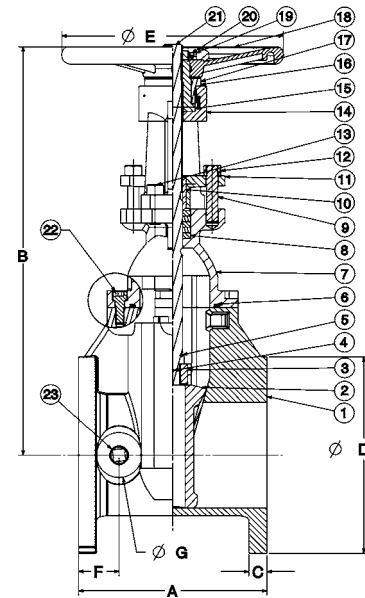
Fire Protection Valve • Outside Screw and Yoke • **Resilient Wedge** • Epoxy Coated Interior/Exterior • Pre-Grooved Stem for Supervisory Switch • Drilled, Tapped and Plugged at Boss Location A\*\*

**250 PSI/17.2 Bar Non-Shock Cold Working Pressure**  
(160° F/71° C max. operating temperature)

UL/ULC LISTED\* • FM APPROVED •  
AWWA C509 & 515 • NEW YORK CITY



**F-607-RW**  
Flanged



**F-607-RW**  
Flg x Flg

MATERIAL LIST	
PART	SPECIFICATION
1. Valve Body	Ductile Iron ASTM A536
2. Resilient Wedge	Ductile Iron ASTM A536/EPDM ASTM D2000
3. Wedge Nut	Bronze ASTM B584 UNS C83600
4. Dowel Pin	Stainless Steel ASTM A276 UNS S42000
5. Stem Back Seat O-Ring	EPDM ASTM D2000
6. Bonnet Gasket	EPDM ASTM D2000
7. Bonnet	Ductile Iron ASTM A536
8. Stem Packing	EPDM ASTM D2000
9. Threaded Rod	Carbon Steel Zinc Plated
10. Gland Bushing	Bronze ASTM B584
11. Gland	Cast Iron ASTM A126 Class B
12. Gland Nut	Stainless Steel 18-8
13. Yoke Screw	Alloy Steel ASTM A574M Zinc Plated
14. Yoke	Cast Iron ASTM A126 Class B
15. Yoke Bushing	Bronze ASTM B584
16. Flat Point Set Screw	Alloy Steel ASTM F912M Black Oxide
17. Yoke Bushing Retainer	Cast Iron ASTM A126 Class B
18. Handwheel	Ductile Iron ASTM A536
19. Handwheel Nut	Carbon Steel Zinc Plated
20. Flat Head Screw	Carbon Steel Zinc Plated
21. Stem	Bronze ASTM B150 UNS C61400
22. Bonnet Screw	Alloy Steel ASTM A574M Zinc Plated
23. NPT Pipe Plug	Malleable Iron ANSI B16.3 (Epoxy Coated)
24. UL/FM Label (not shown)	Aluminum

\* Electrostatically applied fusion-bonded epoxy coated inside and outside per AWWA C-550.  
Epoxy NSF and FDA certification

\*\* Drilled, tapped and plugged at Position A with 1/2" valve sizes 2 1/2"-4", 3/4" on 6"-8", 1" on 10"-12".

\* Compliance with the Standard for Gate Valves for Fire Protection Service, UL 262, and the Canadian Requirements, ULC/ORD-C262..

## DIMENSIONS—WEIGHTS—QUANTITIES

Size	Dimensions																Bolt Circle	Flange Holes	Turns To Open	Weight			
	A	B Open	B Closed	C	D	E	F	G	In.	mm.	In.	mm.	In.	mm.	In.	mm.				In.	mm.	Lbs.	Kg.
2 1/2	65	7.5	190	17.8	453	14.9	378	0.69	17.5	7.0	178	7.9	200	1.50	38	1.6	40	5.50	140	4	8.8	45	20
3	80	8.0	203	19.7	500	15.9	405	0.75	19.0	7.5	191	7.9	200	1.73	44	2.1	54	6.00	152	4	10.5	53	24
4	100	9.0	229	21.0	534	16.6	422	0.94	24.0	9.0	229	10.2	260	2.13	54	2.1	54	7.50	191	8	10.4	94	43
6	150	10.5	267	29.3	744	22.9	581	1.00	25.4	11.0	279	12.4	315	2.24	57	2.5	64	9.50	241	8	15.7	154	70
8	200	11.5	292	37.0	939	28.5	724	1.13	28.6	13.5	343	14.8	375	2.48	63	2.8	70	11.75	298	8	17.2	247	112
10	250	13.0	330	44.8	1139	34.5	877	1.19	30.2	16.0	406	16.4	416	2.56	65	2.8	70	14.25	362	12	21.4	349	159
12	300	14.0	356	52.2	1326	39.9	1014	1.25	31.8	19.0	483	17.5	445	2.91	74	3.4	86	17.00	432	12	25.5	484	220



**FREEZING WEATHER PRECAUTION:** Subsequent to testing a piping system, valves should be left in an open position to allow complete drainage.