

Installation and Maintenance Instructions

Chemcock and Calibrated Needle Valves



PVC
1/4" Size
MPT x MPT & Hose x MPT



PVC
1/4" Size
Threaded

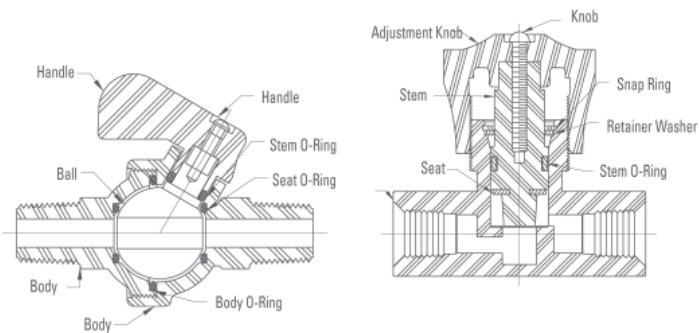
Installation

Chemtrol Chemcock and Calibrated Needle Valves are available in the configurations shown above. Since the needle is a globe design, flow must be in the direction indicated by the arrow. The Chemcock Valve is a ball design; therefore, flow can be in either direction. Listed is a summary of installation techniques.

Threaded Valves—Refer to the plastic thread joining instructions in the Chemtrol Thermoplastic Piping Technical Manual. **Caution: Do not overtighten threads. Usually, one to two turns beyond hand tight, using a suitable strap-wrench, if necessary, is sufficient. (ANSI B1.20.1 defines hand-tight as 4 to 4 1/2 threads for sizes through 1".**

Hose End Valves—Slide a suitable clamp over the hose to be joined. Lubrication of the hose end with warm water may aid in assembly. Push the hose on and over all barbs and up to the wrench flats. Slide the clamp up and center over the largest barb. Tighten clamp, but **do not overtighten.**

Adjustment—Valves are factory assembled and tested with no adjustment required.



Maintenance

Disassembly and Reassembly of Chemcock Valve

To Disassemble

1. Unscrew body halves using open end or adjustable wrench on flats provided.
2. Remove Phillips head screw.
3. Pull handle away from body.
4. Press stem/ball into valve body and remove from open end.

To Reassemble

1. Check to make sure all ball seal O-rings are properly seated.
2. Insert stem/ball into stem boss from inside body with ball rotated to align port with waterway.
3. Screw body halves together, with body seal O-ring properly seated, using open end or adjustable wrench on flats provided.
4. Start stem O-ring seal over stem, then press into position as handle is pressed down over stem.
5. Insert and tighten Phillips head screw.

Disassembly and Reassembly of Needle Valve

To Disassemble

1. Rotate knob to full open position.
2. Remove Phillips head screw.
3. Remove knob by counter-clockwise rotation, simultaneously, pull away from body.
4. Remove snap ring.
5. Grasp stem firmly and pull.

To Reassemble

1. Insert stem into stem opening and press in to full-closed position.
2. Replace snap ring.
3. Pull stem back out to full-open position.
4. Replace knob such that flats are aligned.
5. Press down on knob and turn clockwise one full turn to properly engage threads on stem boss.
6. Insert and tighten Phillips head screw.
7. Rotate knob to full-closed and back to full-open to test for free rotation.

Replacement Parts

A complete list of replacement components can be found on the preceding page.

To determine suitability of Chemtrol valves in your application, consult the Chemtrol Chemical Resistance Guide.