

EXPOSED FIRE DEPT OUTLET CONNECTIONS HYDRANT VALVE CONTROLS

HYDRANTS

FUNCTION: Used as an auxiliary water supply by the fire service. Two-way outlet suitable when water demand is under 750 GPM/2839 lpm, three-way outlet suitable when water demand is under 1000 GPM/3785 lpm.

OPTIONAL FINISHES: -B Polished Brass
 -C Rough Chrome Plated
 -D Polished Chrome Plated

SPECIFY: Thread

EXPOSED

REGULARLY FURNISHED: Cast brass back outlet body with caps and chains. Cast brass round wall plate lettered HYDRANT, inlet size and number of outlets as selected by Model Number.

Model	Size
5840	.4" x 2 1/2" / 10.2 x 6.4 cm 2-Way
5841	.6" x 2 1/2" / 15.2 x 6.4 cm 2-Way
5843	.6" x 2 1/2" / 15.2 x 6.4 cm 3-Way

FREE-STANDING

REGULARLY FURNISHED: Cast brass back angle body with male hose threads with caps and chains. 18" / 45.7 cm long polished brass cover sleeve and cast brass plate lettered HYDRANT, inlet size and number of outlets as selected by Model Number.

Model	Size
5845	.4" x 2 1/2" / 10.2 x 6.4 cm 2-Way
5846	.6" x 2 1/2" / 15.2 x 6.4 cm 2-Way
5848	.6" x 2 1/2" / 15.2 x 6.4 cm 3-Way

VARIATION: Additional heights available

SPECIFY: Height

OVERALL HEIGHT: 24" / 61 cm

RADIUS OF BODY SWING: 7 1/2" / 19 cm



5840-5843



5845-5848

HYDRANT VALVE CONTROLS

FUNCTION: Used to control a remote, non-rising stem valve that supplies hydrants or test connections.

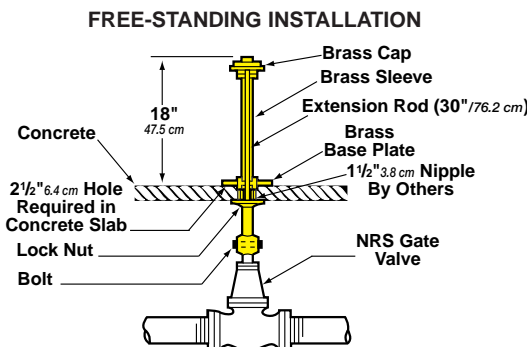
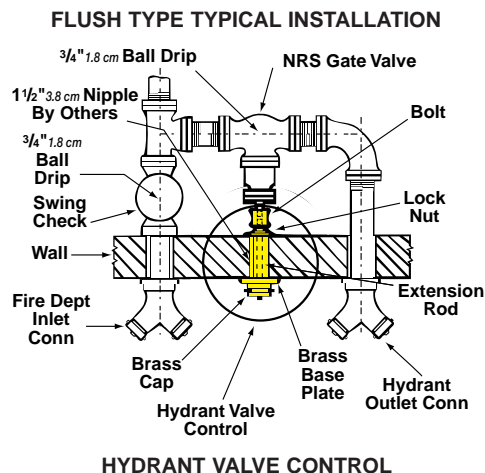
FLUSH TYPE

REGULARLY FURNISHED: Polished brass 7" / 17.8 cm plate lettered HYDRANT VALVE CONTROL threaded 1 1/2" / 3.8 cm female NPT on back and 2 1/2" / 6.4 cm NST male on front with cap and chain. Rough brass 1 1/2" / 3.8 cm NPT lock nut, 18" / 45.7 cm long x 7/8" / 2.2 cm square steel extension rod, with coupling for attachment to stem of gate valve.

Model	
5850	...with Round Plate
5852	...with Square Plate

FREE-STANDING TYPE

REGULARLY FURNISHED: Polished brass round base plate lettered HYDRANT VALVE CONTROL threaded 1 1/2" / 3.8 cm x 16" / 40.6 cm long polished brass cover sleeve and cap chain. Rough brass 1 1/2" / 3.8 cm NPT lock nut, 30" / 76.2 cm long x 7/8" / 2.2 cm square steel extension rod, with coupling for attachment to stem of below-grade gate valve.



5850 & 5852



5855

OPTIONAL FINISH: -D Polished Chrome Plated
VARIATION: -H Valve Control Wrench