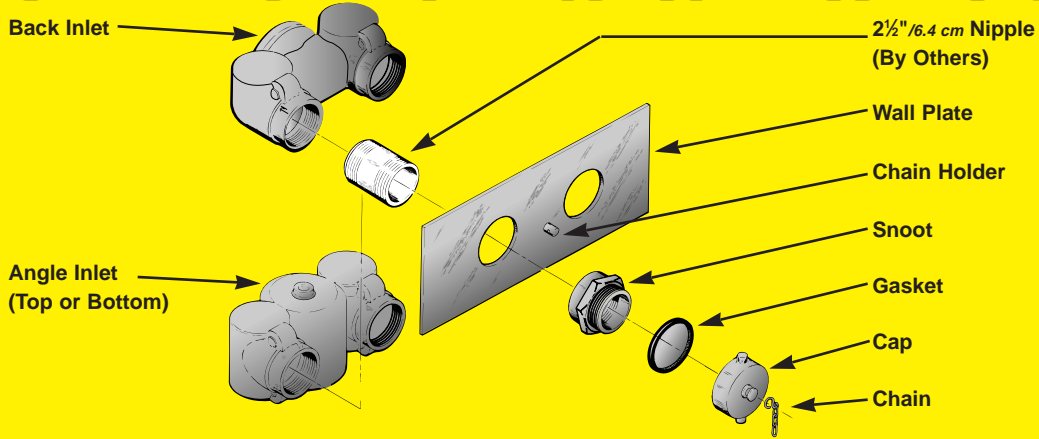


FLUSH FIRE DEPT OUTLET CONNECTIONS

EXPLODED VIEW OF TYPICAL FLUSH OUTLET CONNECTION



SINGLE HYDRANT

FUNCTION: Used as an auxiliary water supply by the fire service. Single outlet suitable when water demand is under 500 GPM/1892 lpm (Ref. NFPA 20). Flush design desirable, when appearance is a factor.

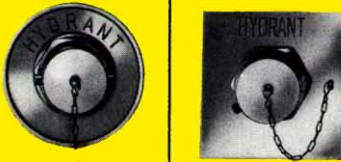
REGULARLY FURNISHED: Polished brass plate lettered HYDRANT. Female NPT x male hose thread snoot with cap and chain. Round or square plate and size as selected by Model Number.

WITH 8" / 20.3 cm ROUND PLATE

WITH 8" / 20.3 cm SQUARE PLATE

Model	Size	Model	Size
5801	.2 1/2" / 6.4 cm	5811	.2 1/2" / 6.4 cm
5802	.2 1/2" x 3" / 6.4 x 7.6 cm	5812	.2 1/2" x 3" / 6.4 x 7.6 cm
5803	.3" / 7.6 cm	5813	.3" / 7.6 cm

OPTIONAL FINISH: -D Polished Chrome Plated (Refer to page 6 for special finishes)
SPECIFY: Thread and lettering



5801-5813

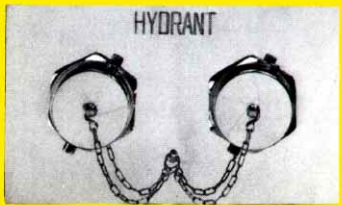
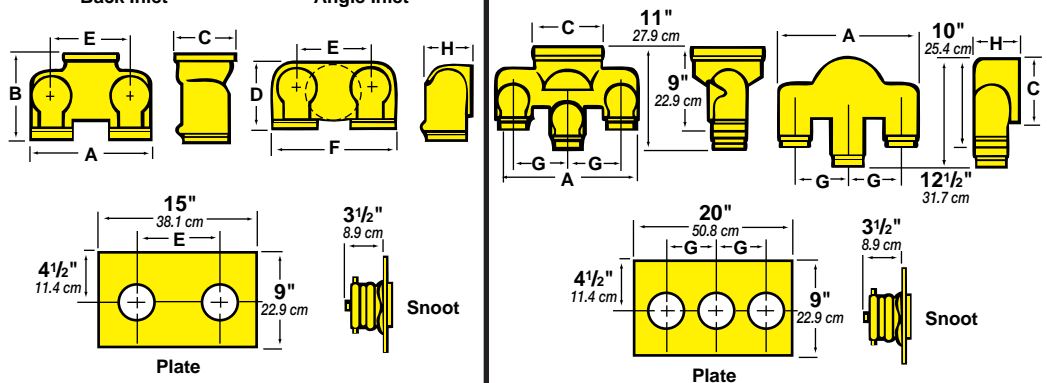
FUNCTION: Used as an auxiliary water supply by the fire service, flush design desirable when appearance is a factor. Two-way outlet suitable when water demand is under 750 GPM / 2839 lpm, three-way is suitable when water is under 1000 GPM / 3785 lpm Ref. NFPA 20.

REGULARLY FURNISHED: Brass body and polished brass plate lettered HYDRANT polished brass female NPT x male hose thread snoots with caps and chains. Number of snoots, size and inlet location as selected by model number.

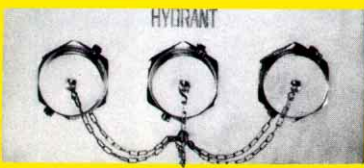
TWO-WAY HYDRANT THREE-WAY HYDRANT

Back Inlet Angle Inlet

Back Inlet Angle Inlet



5821-5826



5835 & 5836

Inlet Locations		Size	No. Outlets	A	B	C	D	E	F	G	H
Back Model No.	Angle Model No.			in. cm	in. cm	in. cm	in. cm	in. cm	in. cm	in. cm	in. cm
5821	5822	4 x 2 1/2 x 2 1/2 10.2 x 6.4 x 6.4	2	11 27.9	6 15.2	5 12.7	6 15.2	7 17.8	11 27.9	—	—
5825	5826	6 x 2 1/2 x 2 1/2 15.2 x 6.4 x 6.4	2	12 1/4 31.1	8 3/4 22.2	7 3/4 19.6	9 1/2 24.1	7 1/2 19	12 30.4	—	5 3/4 14.6
5835	5836	6 x 2 1/2 x 2 1/2 x 2 1/2 15.2 x 6.4 x 6.4 x 6.4	3	16 40.6	11 27.9	7 3/4 19.6	12 1/2 31.7	—	—	6 15.2	5 1/2 14

OPTIONAL FINISHES: -D Polished Chrome Plated -SS Polished Stainless Steel Plate
(Refer to page 6 for special finishes) **SPECIFY:** Thread