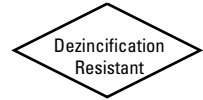


# 300 PSI WWP Bronze Ball Valves

Fire Protection Valve • Threaded or Grooved Body Style • Full Port Design 1" - 2" • Standard Port Design 2½"

**300 PSI/20.7 Bar Non-Shock Cold Water**

CONFORMS TO MSS SP-110 • FM APPROVED •  
UL LISTED FOR INDOOR AND OUTDOOR SERVICE\* •  
CALIFORNIA STATE FIRE MARSHAL LISTING NO. 7770-1243:103



**KT-505-W-8**  
Threaded

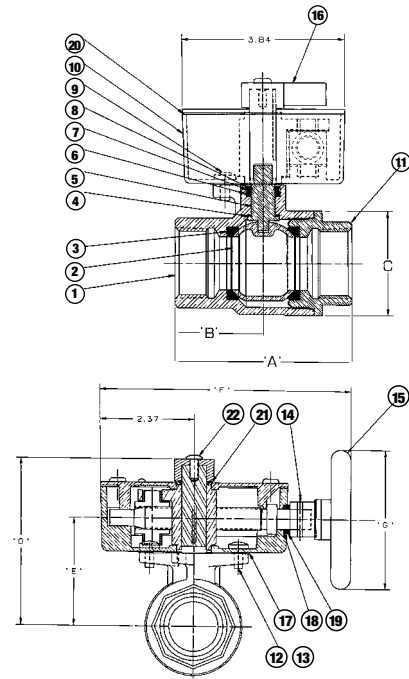


**KG-505-W-8**  
Grooved

MATERIAL LIST	
PART	SPECIFICATION
1. Body	Bronze ASTM B584 Alloy C84400
2. Ball	Chrome Plated Brass ASTM B124 Alloy C37700
3. Seat Ring	Carbon-filled PTFE
4. Thrust Washer	Reinforced PTFE
5. Stem	Bronze ASTM B371 Alloy C69430
6. Stem O-Ring	Nitrile
7. Retaining Washer	Brass
8. Retaining Ring	Steel
9. Ground Wire Screw	Steel
10. 505-8 Act Assy.	Brass
11. Body End	Bronze ASTM B584 Alloy C84400
12. Mounting Screw	Steel
13. Lock Washer	Steel
14. Handle Pin	Brass
15. Hand Wheel	Steel/plastisol coated (1¼" -2½") Brass Tee Handle (1")
16. Indicator Flag	Painted Steel
17. Body Gasket	Elastomer
18. Lead Screw O-Ring	Nitrile
19. Thrust Washer	Anti-friction Polymer
20. Cover Gasket	Polychloroprene (CR)
21. Flag Seal O-Ring	Nitrile
22. Tamper-Proof Screw	Stainless Steel
23. Pipe Plug (-4 units)	Stainless Steel (Not shown)

Refer to page 42 for details for TS-2M Switch Kit.

\* Compliance with the applicable requirements of the Standard for Butterfly Valves for Fire Protection Service, UL 1091.



KT-505-W

## DIMENSIONS—WEIGHTS—QUANTITIES

Size	Dimensions										Cv†	Weight														
	A		B		C	D	E	F	G	G		Threated Lbs.	Grooved Lbs.	Box Qty.	Master Ctn. Qty.											
	Threaded In. mm.	Grooved In. mm.	Threaded In. mm.	Grooved In. mm.																						
1	25	3.33	85	—	—	1.66	42	—	—	2.11	54	3.81	97	2.31	59	6.14	156	1.75	44	57	6.1	2.77	—	—	1	10
1¼	32	4.18	106	—	—	2.09	53	—	—	2.46	62	4.21	107	2.72	69	6.33	161	3.50	89	103	7.1	3.23	—	—	1	8
1½	40	4.70	119	—	—	2.35	60	—	—	2.95	74	4.46	113	2.97	75	6.33	161	3.50	89	143	8.1	3.68	—	—	1	4
2	50	5.15	131	6.71	170	2.57	65	3.36	85	3.69	94	4.67	119	3.18	81	6.33	161	3.50	89	245	10.7	4.86	9.7	4.40	1	4
2½	65	5.65	144	7.28	185	2.92	74	3.64	93	3.75	95	4.67	119	3.18	81	6.33	161	3.50	89	183	13.0	5.91	12.6	5.73	1	4

† Note: Cv is defined as the flow in GPM that a valve will carry with a pressure drop of 1.0 psi when the media is water at 60° F.

