

# 300 lb. WWP UL/FM Butterfly Valves

Fire Protection Valve • Grooved Mechanical Style • Nylon Coated Ductile Iron Body • Extended Neck • Elastomer Encapsulated Disc • Accepts Internal Supervisory Switches • Compatible with IPS Pipe

**300 PSI/20.7 Bar Non-Shock Cold Water 2½" - 8"**

**175 PSI/12.1 Bar Non-Shock Cold Water 10"**

UL/ULC LISTED\*\* • FMRC APPROVED • 2½" - 10" UL LISTED FOR INDOOR AND OUTDOOR SERVICE • CALIFORNIA STATE FIRE MARSHALL APPROVAL NO. 7770-1243:101 • APPROVED BY THE NEW YORK CITY MEA 90-07-E, VOL.2 WHEN ASSEMBLED WITH APPROPRIATE NYC INDICATOR FLAG

### MATERIAL LIST

| PART               | SPECIFICATION                                  |
|--------------------|--|
| 1. Upper Stem      | Stainless Steel ASTM A582 Type 416             |
| 2. Upper Bushing   | PTFE Bronze Sintered on Steel                  |
| 3. "O" Ring        | EPDM   |
| 4. Body            | Ductile Iron ASTM A395 with Polyamide Coating  |
| 5. Disc            | Ductile Iron ASTM A395 with EPDM Encapsulation |
| 6. Lower Bushing   | PTFE Bronze Sintered on Steel                  |
| 7. Lower Stem      | Stainless Steel ASTM A582 Type 416             |
| 8. Dust Plug       | PVC  |
| 9. Nameplate       | Aluminum                                       |
| 10. Gear Operator  | Cast Iron and Steel                            |
| 11. Indicator Flag | Cast Iron                                      |
| 12. Handwheel      | Cast Iron                                      |

\*-8N version has two factory mounted internal supervisory switches.  
-4N version is gear operated only

Uses NIBCO model #TS-4 Switch Kit.  
Polyamide coating has NSF certification.

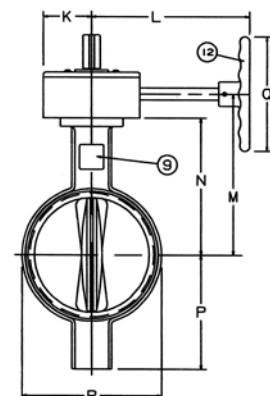
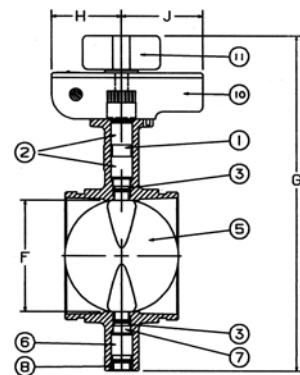
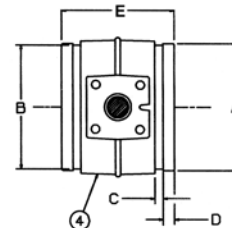


**GD-1765-8N**

10"  
(not shown)

**GD-4765-8N\***

Grooved  
2½" thru 8"



### DIMENSIONS—WEIGHTS—QUANTITIES

| Size    | Dimensions |         |         |         |         |         |         |         |         |         |         |         |         |         |         |      |    |
|---------|------------|---------|---------|---------|---------|---------|---------|---------|---------|---------|---------|---------|---------|---------|---------|------|----|
|         | A          |         | B       |         | C       |         | D       |         | E       |         | F       |         | G       |         | H       |      |    |
| In. mm. | In. mm.    | In. mm. | In. mm. | In. mm. | In. mm. | In. mm. | In. mm. | In. mm. | In. mm. | In. mm. | In. mm. | In. mm. | In. mm. | In. mm. | In. mm. |      |    |
| 2½      | 65         | 2.88    | 73      | 2.72    | 69      | 0.31    | 8       | 0.63    | 16      | 3.85    | 98      | 2.42    | 61      | 11.94   | 303     | 2.91 | 74 |
| 3 O.D.  | 76.1       | 3.00    | 76      | 2.84    | 72      | 0.31    | 8       | 0.63    | 16      | 3.85    | 98      | 2.42    | 61      | 11.94   | 303     | 2.91 | 74 |
| 3       | 80         | 3.50    | 89      | 3.34    | 85      | 0.31    | 8       | 0.63    | 16      | 3.85    | 98      | 2.86    | 73      | 12.48   | 317     | 2.91 | 74 |
| 4       | 100        | 4.50    | 114     | 4.33    | 110     | 0.38    | 10      | 0.63    | 16      | 4.56    | 116     | 3.84    | 98      | 14.18   | 360     | 2.91 | 74 |
| 5       | 125        | 5.56    | 141     | 5.39    | 137     | 0.38    | 10      | 0.63    | 16      | 5.86    | 149     | 4.79    | 122     | 15.17   | 385     | 2.91 | 74 |
| 6       | 150        | 6.63    | 168     | 6.45    | 164     | 0.38    | 10      | 0.63    | 16      | 5.86    | 149     | 5.73    | 146     | 17.54   | 446     | 2.91 | 74 |
| 6 O.D.  | 165.1      | 6.51    | 165     | 6.32    | 161     | 0.38    | 10      | 0.63    | 16      | 5.86    | 149     | 5.73    | 146     | 17.54   | 446     | 2.91 | 74 |
| 8       | 200        | 8.63    | 219     | 8.44    | 214     | 0.44    | 11      | 0.75    | 19      | 5.26    | 134     | 7.71    | 196     | 19.42   | 493     | 2.91 | 74 |
| 10      | 250        | 10.75   | 273     | 10.56   | 268     | 0.50    | 13      | 0.75    | 19      | 6.29    | 160     | 9.56    | 243     | 24.03   | 610     | 3.90 | 99 |

| Size    | Dimensions |         |         |         |         |         |         |         |         |         | Weight  |         |         |         |         |         |      |     |      |
|---------|------------|---------|---------|---------|---------|---------|---------|---------|---------|---------|---------|---------|---------|---------|---------|---------|------|-----|------|
|         | J          |         | K       |         | L       |         | M       |         | N       |         | P       |         | Q       |         | R       |         | Lbs. | Kg. |      |
| In. mm. | In. mm.    | In. mm. | In. mm. | In. mm. | In. mm. | In. mm. | In. mm. | In. mm. | In. mm. | In. mm. | In. mm. | In. mm. | In. mm. | In. mm. | In. mm. | In. mm. |      |     |      |
| 2½      | 65         | 3.54    | 90      | 2.13    | 54      | 5.82    | 148     | 5.67    | 144     | 4.19    | 106     | 3.25    | 83      | 5.9     | 150     | 3.46    | 88   | 22  | 10.0 |
| 3 O.D.  | 76.1       | 3.54    | 90      | 2.13    | 54      | 5.82    | 148     | 5.67    | 144     | 4.19    | 106     | 3.25    | 83      | 5.9     | 150     | 3.46    | 88   | 22  | 10.4 |
| 3       | 80         | 3.54    | 90      | 2.13    | 54      | 5.82    | 148     | 5.94    | 151     | 4.44    | 113     | 3.54    | 90      | 5.9     | 150     | 3.97    | 101  | 23  | 10.4 |
| 4       | 100        | 3.54    | 90      | 2.13    | 54      | 7.64    | 194     | 6.31    | 173     | 5.33    | 135     | 4.35    | 110     | 5.9     | 150     | 5.03    | 128  | 28  | 12.7 |
| 5       | 125        | 3.54    | 90      | 2.13    | 54      | 7.64    | 194     | 7.32    | 186     | 5.83    | 148     | 4.84    | 123     | 5.9     | 150     | 6.27    | 159  | 31  | 14.1 |
| 6       | 150        | 3.54    | 90      | 2.13    | 54      | 7.64    | 194     | 8.62    | 219     | 7.11    | 181     | 5.93    | 151     | 5.9     | 150     | 7.25    | 184  | 41  | 18.6 |
| 6 O.D.  | 165.1      | 3.54    | 90      | 2.13    | 54      | 7.64    | 194     | 8.62    | 219     | 7.11    | 181     | 5.93    | 151     | 5.9     | 150     | 7.25    | 184  | 41  | 18.6 |
| 8       | 200        | 3.54    | 90      | 2.13    | 54      | 7.91    | 201     | 9.80    | 249     | 8.05    | 204     | 6.87    | 174     | 9.8     | 250     | 9.25    | 235  | 53  | 24.1 |
| 10      | 250        | 3.98    | 101     | 3.03    | 77      | 9.49    | 241     | 11.61   | 295     | 9.86    | 250     | 9.17    | 233     | 11.8    | 300     | 18.00   | 457  | 88  | 40.0 |

\*\* Compliance with the Standard for Butterfly Valves for Fire Protection Service, UL 1091.

