

175 PSI WWP Iron Body Gate Valves

Fire Protection Valve • Bolted Bonnet • Indicator Post Pattern •
Non-Rising Stem • Solid Wedge

175 PSI/12.1 Bar Non-Shock Cold Water

UL/ULC LISTED* • FM APPROVED

MATERIAL LIST

PART	SPECIFICATION
1. Nut	Steel ASTM A307
2. Square Oper. Nut	Cast Iron ASTM A126 Class B
3. Stem	Brass ASTM B16 Alloy C36000
4. Ind. Post Flange Nut	Steel ASTM A307
5. Ind. Post Flange	Cast Iron ASTM A126 Class B
6. Ind. Post Flange Bolt	Steel ASTM A307
7. O-Ring Seal	Buna-N Rubber
8. Bonnet	Cast Iron ASTM A126 Class B
9. Ind. Post Flange Gasket	Non Asbestos
10. Body Bolt	Steel ASTM A307
11. Body Gasket	Non Asbestos
12. Body Nut	Steel ASTM A307
13. Body	Cast Iron ASTM A126 Class B
*14. Wedge Bushing	Cast Bronze B584 Alloy C84400
15. Wedge	Cast Iron ASTM A126 Class B
16. Wedge Face Ring	Cast Bronze B584 Alloy C84400
17. Seat Ring	Cast Bronze B584 Alloy C84400

* Sizes 8", 10" and 12" only

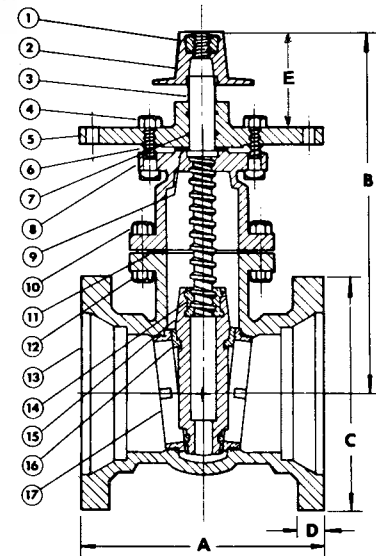
NOTE: Flanged valve is consistent with ANSI B16.1 Class 125.

* Compliance with the Standard for Gate Valves for Fire Protection Service, UL 262, and the Canadian Requirements, ULC/ORD-C262..

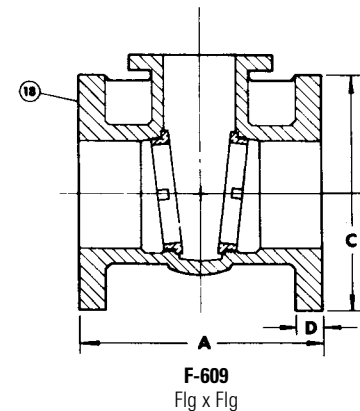


F-609
Flanged

M-609
Mechanical



M-609
MJ x MJ



F-609
Flg x Flg

DIMENSIONS—WEIGHTS—QUANTITIES

F-609 Dimensions													
Size	A		B		C		D		E		Weight		
In. mm.	In.	mm.	In.	mm.	In.	mm.	In.	mm.	In.	mm.	Lbs.	Kg.	
4	100	9.00	229	14.13	359	9.00	229	.94	24	3.66	93	105	48
6	150	10.50	267	18.56	471	11.00	279	1.00	25	2.25	57	170	77
8	200	11.50	292	22.13	562	13.50	343	1.13	29	4.00	102	277	125
10	250	13.00	330	25.75	654	16.00	406	1.19	30	3.88	98	399	181
12	300	14.00	356	29.50	749	19.00	483	1.25	32	4.94	125	623	283

M-609 Dimensions													
Size	A		B		C		D		E		Weight		
In. mm.	In.	mm.	In.	mm.	In.	mm.	In.	mm.	In.	mm.	Lbs.	Kg.	
4	100	9.25	235	14.13	359	9.00	229	1.00	25	3.66	93	100	45
6	150	10.75	273	18.56	471	11.09	282	1.03	26	2.25	57	153	69
8	200	11.50	292	22.13	562	13.31	338	1.09	28	4.00	102	250	113
10	250	13.00	330	25.75	654	15.63	397	1.13	29	3.88	98	390	176
12	300	14.00	356	29.50	749	18.00	457	1.25	32	4.94	125	556	253

FREEZING WEATHER PRECAUTION: Subsequent to testing a piping system, gate valve should be in an open position to allow complete drainage.

NOTE: Number of turns required to open 4", 9", 6", 13½", 8", 17½", 10", 30¼", 12", 38¼ turns. Tolerance ± ½ turn on all sizes.

NOTE: Available to ISO Flange dimensions. Specify F-609-I. See page 51.

