



Description & Features:

- One piece forged brass case gauge, designed for severe service conditions
- Dual scale dial
- Restrictor screw standard
- Glycerin filled standard
- 5 year warranty

Applications:

- Industrial and hydraulic systems

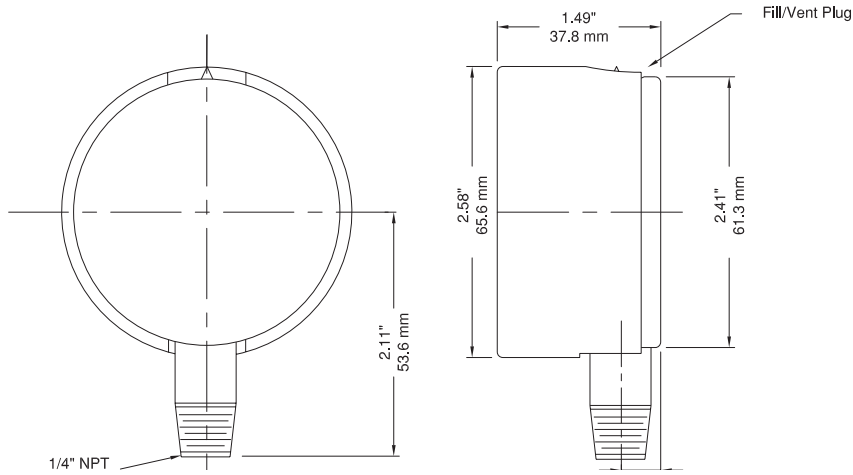
| Specifications | |
|-------------------------|---|
| Dial | 2.5" (63mm), 4" (100mm) |
| Case | Forged brass, rugged |
| Lens | Polycarbonate |
| Ring | 2.5" (63mm): Gold-coloured ABS 4" (100mm): Polished Brass |
| Socket | Brass |
| Pointer | Aluminum, anodized black |
| Connection | 2.5" (63mm): 1/4" NPT bottom or back 4" (100mm): 1/4" or 1/2" NPT bottom |
| Wetted Parts | Brass |
| Fill Fluid | Glycerin |
| Accuracy | 2.5" (63mm): ±1.5% ANSI/ASME Grade B 4" (100mm): ±1% ANSI/ASME Grade A |
| Enclosure Rating | IP65 |

Order Codes (products in bold are normally in stock)

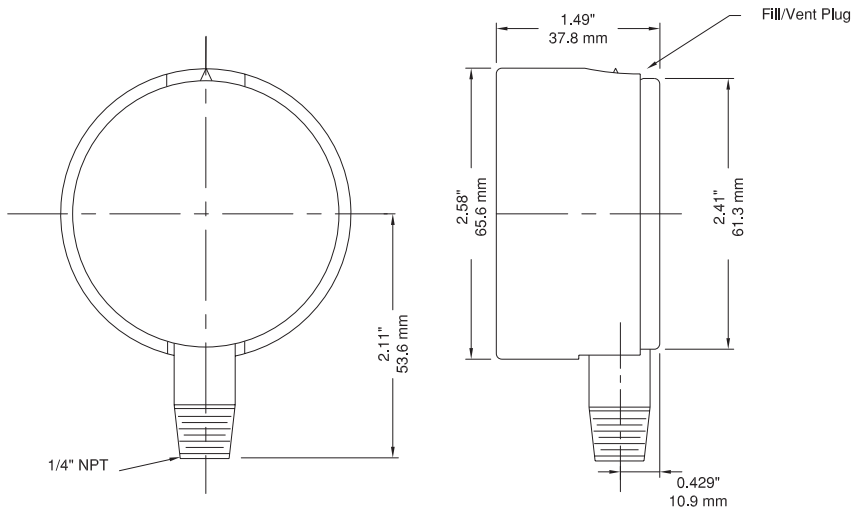
| Dial Size | 2.5" (63mm) | | 4" (100mm) | |
|-------------------|-----------------|--------------------|-----------------|-----------------|
| | 1/4" NPT Bottom | 1/4" NPT Back (CB) | 1/4" NPT Bottom | 1/2" NPT Bottom |
| 30" Hg Vacuum/kPa | PBD801 | PBD900 | PBD700 | PBD1234 |
| 30"-0-15 psi/kPa | PBD790 | PBD890 | PBD701 | PBD1235 |
| 30"-0-30 psi/kPa | PBD798 | PBD898 | PBD702 | PBD1236 |
| 30"-0-60 psi/kPa | PBD799 | PBD899 | PBD703 | PBD1237 |
| 30"-0-100 psi/kPa | PBD791 | PBD891 | PBD704 | PBD1238 |
| 30"-0-160 psi/kPa | PBD792 | PBD892 | PBD705 | PBD1239 |
| 30"-0-200 psi/kPa | PBD794 | PBD894 | PBD706 | PBD1240 |
| 30"-0-300 psi/kPa | PBD795 | PBD895 | PBD707 | PBD1241 |
| 0-15 psi/kPa | PBD800 | PBD901 | PBD708 | PBD1242 |
| 0-30 psi/kPa | PBD802 | PBD902 | PBD709 | PBD1243 |
| 0-60 psi/kPa | PBD803 | PBD903 | PBD710 | PBD1244 |
| 0-100 psi/kPa | PBD804 | PBD904 | PBD711 | PBD1245 |
| 0-160 psi/kPa | PBD805 | PBD905 | PBD712 | PBD1246 |
| 0-200 psi/kPa | PBD806 | PBD906 | PBD713 | PBD1247 |
| 0-300 psi/kPa | PBD807 | PBD907 | PBD714 | PBD1248 |
| 0-400 psi/kPa | PBD817 | PBD917 | PBD715 | PBD1249 |
| 0-600 psi/kPa | PBD808 | PBD908 | PBD716 | PBD1250 |
| 0-1,000 psi/kPa | PBD809 | PBD909 | PBD724 | PBD717 |
| 0-1,500 psi/kPa | PBD816 | PBD914 | PBD725 | PBD718 |
| 0-2,000 psi/kPa | PBD810 | PBD910 | PBD726 | PBD719 |
| 0-3,000 psi/kPa | PBD811 | PBD911 | PBD727 | PBD720 |
| 0-5,000 psi/kPa | PBD812 | PBD912 | PBD728 | PBD721 |
| 0-6,000 psi/kPa | PBD814 | PBD915 | PBD024 | PBD784 |
| 0-10,000 psi/kPa | PBD813 | PBD913 | PBD729 | PBD722 |

PBD Forged Brass Case Gauge

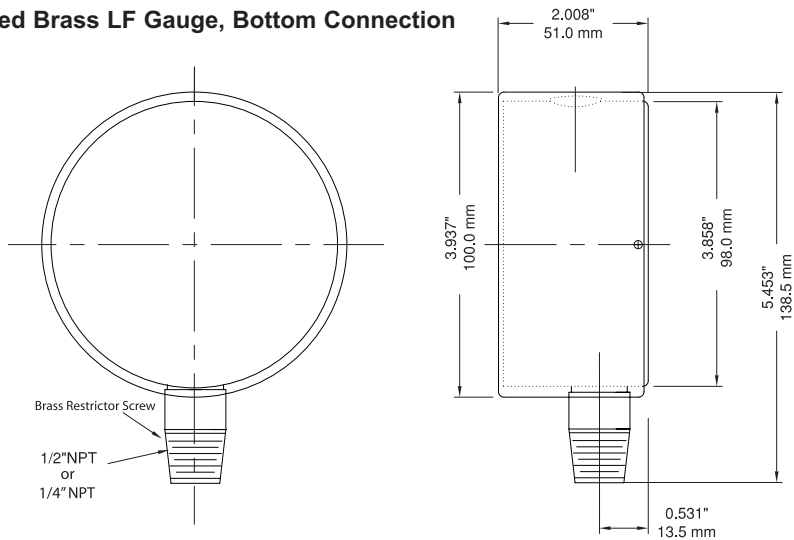
2.5" Forged Brass LF Gauge, Back Connection



2.5" Forged Brass LF Gauge, Bottom Connection



4" Forged Brass LF Gauge, Bottom Connection



Series Number (for custom, non-standard product)

| | P | B | D | | | | | | | | | | | | | | | |
|---|---|---|---|---|---|--|--|--|--|--|--|--|--|--|--|--|--|-----|
| SERIES | | | | | | | | | | | | | | | | | | |
| DIAL SIZE | | | | | | | | | | | | | | | | | | |
| 2.5" (63mm) | | | | 2 | 5 | | | | | | | | | | | | | |
| 4.0" (100mm) | | | | 4 | 0 | | | | | | | | | | | | | |
| CASE MATERIALS | | | | | | | | | | | | | | | | | | |
| Brass | | | | | | | | | | | | | | | | | | |
| | | | | | | | | | | | | | | | | | | |
| WETTED PARTS | | | | | | | | | | | | | | | | | | |
| Brass | | | | | | | | | | | | | | | | | | |
| | | | | | | | | | | | | | | | | | | |
| CONFIGURATION | | | | | | | | | | | | | | | | | | |
| Bottom Connection, Stem Mounting | | | | | | | | | | | | | | | | | | |
| Bottom Connection, Front Flange, Surface Mounting | | | | | | | | | | | | | | | | | | |
| Back Connection, Stem Mounting | | | | | | | | | | | | | | | | | | |
| Special | | | | | | | | | | | | | | | | | | |
| CONNECTION SIZE | | | | | | | | | | | | | | | | | | |
| 1/8" | | | | | | | | | | | | | | | | | | |
| 1/4" | | | | | | | | | | | | | | | | | | |
| 3/8" | | | | | | | | | | | | | | | | | | |
| 1/2" | | | | | | | | | | | | | | | | | | |
| Special | | | | | | | | | | | | | | | | | | |
| THREAD | | | | | | | | | | | | | | | | | | |
| NPT | | | | | | | | | | | | | | | | | | |
| BSP (G) | | | | | | | | | | | | | | | | | | |
| BSPT (R) | | | | | | | | | | | | | | | | | | |
| Special | | | | | | | | | | | | | | | | | | |
| PRIMARY SCALE | | | | | | | | | | | | | | | | | | |
| UNITS - See Page 13 | | | | | | | | | | | | | | | | | | |
| RANGE - See Page 13 | | | | | | | | | | | | | | | | | | |
| SECONDARY SCALE | | | | | | | | | | | | | | | | | | |
| UNITS - See Page 13 | | | | | | | | | | | | | | | | | | |
| OPTIONS | | | | | | | | | | | | | | | | | | |
| Black Rubber Boot | | | | | | | | | | | | | | | | | | S Z |
| Fluorolube Filled | | | | | | | | | | | | | | | | | | S R |
| Glycerin Filled | | | | | | | | | | | | | | | | | | S E |
| Halocarbon Filled | | | | | | | | | | | | | | | | | | S Q |
| Oxygen Cleaning | | | | | | | | | | | | | | | | | | S L |
| Silicone Filled | | | | | | | | | | | | | | | | | | S D |
| Stainless Steel Tag Plate | | | | | | | | | | | | | | | | | | S M |
| Stabilizer Movement | | | | | | | | | | | | | | | | | | S 3 |
| Test Certificate | | | | | | | | | | | | | | | | | | S O |
| No Options | | | | | | | | | | | | | | | | | | X X |