

1. Optional U-Clamp
2. Optional Front Flange
3. Optional Back Flange

Description & Features:

- Liquid filled stainless steel case protects against vibration and pulsation
- Bayonet ring
- Highly accurate
- Back, bottom, or panel mounted
- Stainless steel or brass wetted parts
- Restrictor screw standard
- CRN registered
- 5 year warranty

Applications:

- Outdoor and severe ambient and process conditions
- Use where harmful vibration and pulsation are present
- Hydraulic equipment, pressure washers, oil field equipment, pumps, compressors and process systems

Specifications	Stainless Steel Internals	Brass Internals
Dial	2.5" (63mm), 4" (100mm), 6" (150mm) white aluminum with black and red markings	4" (100mm) white aluminum with black and red markings
Case	AISI 304 SS	AISI 304 SS
Lens	Polycarbonate	Polycarbonate
Ring	AISI 304 SS	AISI 304 SS
Socket	316L SS	OT 58 brass 4" only
Connection	1/4" NPT or 1/2" NPT standard 2.5" (63mm): 1/4" NPT standard only	1/4" NPT or 1/2" NPT standard
Bourdon Tube	316L SS, drawn seamless	Phosphor bronze
Movement	304 SS Over/under stops for 4" (100mm) dial only	OT 59 brass
Pointer	2.5" (63mm): Aluminum, anodized black 4" (100mm), 6" (150mm): Aluminum, anodized black, micrometer adjustable	4" (100mm) aluminum, anodized black, micrometer adjustable
Welding	TIG	Silver alloy
Fill Liquid	Glycerin	Glycerin
Over-Pressure Limit	30% for pressures up to 600 psi (4,147 kPa), 15% for pressures over 600 psi (4,147 kPa)	25% for pressures up to 1,400 psi (9,653 kPa), 15% for pressures over 1,400 psi (9,653 kPa)
Gasket Material	2.5" (63mm): Buna N for case and block seal, Monoprene for lens seal 4" (100mm), 6" (150mm): EPDM	Silicone rubber for socket, EPDM for lens, filling plug and blow-out vent
Working Pressure	Maximum 75% of full scale value	Maximum 75% of full scale value
Ambient/Process Temperature	Dry: -40°F to 150°F (-40°C to 65°C) Liquid filled: -4°F to 150°F (-20°C to 65°C)	Dry: -40°F to 150°F (-40°C to 65°C) Liquid filled: -4°F to 150°F (-20°C to 65°C)
Accuracy	2.5" (63mm): ±1.5% ANSI/ASME Grade B 4" (100mm), 6" (150mm): ±1% ANSI/ASME Grade A	4" (100mm): ±1% ANSI/ASME Grade A
Enclosure Rating	IP66 per UEC 529, UNI 8896	IP66 per UEC 529, UNI 8896

Order Codes (products in bold are normally in stock)

Dial Size	2.5" (63mm)		4" (100mm)				4" (100mm)			
	1/4" Bottom	1/4" Back (CB)	1/4" Bottom	1/2" Bottom	1/4" Back (LB)	1/2" Back	1/4" Bottom	1/2" Bottom	1/4" Back (LB)	1/2" Back (LB)
Movement Socket, Tube	SS	SS	Brass	Brass	Brass	Brass	SS	SS	SS	SS
30" Hg Vacuum/kPa	PFP820	PFP840	PFP600	-	PFP1000	-	PFP640	PFP655	PFP1090	-
30"-0-15 psi/kPa	PFP860	PFP870	PFP1020	-	PFP1028	-	PFP1036	PFP1044	PFP1244	-
30"-0-30 psi/kPa	PFP861	PFP871	PFP1021	-	PFP1029	-	PFP1037	PFP1045	PFP1245	-
30"-0-60 psi/kPa	PFP862	PFP872	PFP1022	-	PFP1030	-	PFP1038	PFP1046	PFP1246	-
30"-0-100 psi/kPa	PFP863	PFP873	PFP1023	-	PFP1031	-	PFP1039	PFP1047	PFP1247	-
30"-0-150 psi/kPa	PFP864	PFP874	PFP1024	-	PFP1032	-	PFP1040	PFP1048	PFP1248	-
30"-0-200 psi/kPa	PFP866	PFP876	PFP1026	-	PFP1034	-	PFP1042	PFP1050	PFP1249	-
30"-0-300 psi/kPa	PFP867	PFP877	PFP1027	-	PFP1035	-	PFP1043	PFP1051	PFP1250	-
0-15 psi/kPa	PFP821	PFP921	PFP601	-	PFP1001	-	PFP641	PFP656	PFP1091	-
0-30 psi/kPa	PFP822	PFP922	PFP602	-	PFP1002	-	PFP642	PFP657	PFP1092	-
0-60 psi/kPa	PFP823	PFP923	PFP603	-	PFP1003	-	PFP643	PFP658	PFP1093	-
0-100 psi/kPa	PFP824	PFP924	PFP604	-	PFP1004	-	PFP644	PFP659	PFP1094	-
0-160 psi/kPa	PFP825	PFP925	PFP605	-	PFP1005	-	PFP645	PFP660	PFP1095	-
0-200 psi/kPa	PFP826	PFP926	PFP606	-	PFP1006	-	PFP646	PFP661	PFP1096	-
0-300 psi/kPa	PFP827	PFP927	PFP607	-	PFP1007	-	PFP647	PFP662	PFP1097	-
0-400 psi/kPa	PFP880	PFP881	PFP610	-	PFP1016	-	PFP650	PFP666	PFP1251	-
0-600 psi/kPa	PFP828	PFP928	PFP608	-	PFP1008	-	PFP648	PFP663	PFP1098	-
0-1,000 psi/kPa	PFP829	PFP929	PFP609	PFP624	-	PFP1009	PFP649	PFP664	PFP1099	-
0-1,500 psi/kPa	PFP834	PFP934	-	PFP625	-	PFP1010	-	PFP665	PFP1252	PFP1190
0-2,000 psi/kPa	PFP830	PFP930	-	PFP626	-	PFP1011	-	PFP667	PFP1253	PFP1191
0-3,000 psi/kPa	PFP831	PFP931	-	PFP627	-	PFP1012	-	PFP668	PFP1254	PFP1192
0-5,000 psi/kPa	PFP832	PFP852	-	PFP628	-	PFP1013	-	PFP669	PFP1255	PFP1193
0-6,000 psi/kPa	PFP836	PFP851	-	PFP631	-	PFP1015	-	PFP675	PFP1259	PFP1197
0-10,000 psi/kPa	PFP833	PFP853	-	PFP629	-	PFP1014	-	PFP670	PFP1256	PFP1194
0-15,000 psi/kPa	PFP835	PFP855	-	PFP630	-	PFP1018	-	PFP671	PFP1257	PFP1195
0-20,000 psi/kPa	-	-	-	PFP639	-	PFP1019	-	PFP672	PFP1258	PFP1196

Option suffix for above order codes only:

25UC = 2.5" (63mm) U-Clamp

25FF = 2.5" (63mm) Front Flange

25BF = 2.5" (63mm) Back Flange

2.5 BOOT = 2.5" (63mm)

black rubber boot

Other ranges and connection sizes

available upon request

4UC-P = 4" (100mm) Premium U-Clamp

4FF = 4" (100mm) Front Flange

4BF = 4" (100mm) Back Flange

2.5 BOOT = 2.5" (63mm)

316 SS Case and Mountable Bezel

SF25 = Silicone Filled for 2.5"

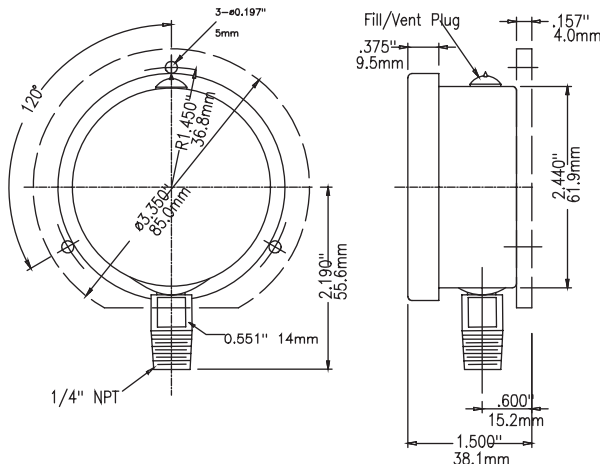
SF4 = Silicone Filled for 4"

SG-25 = Safety Glass 2.5"

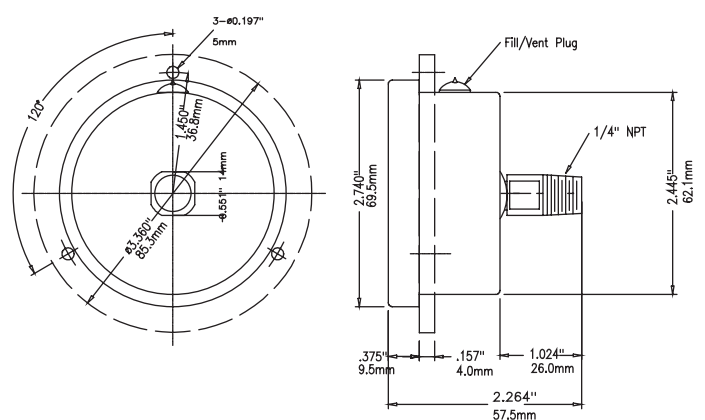
Dry = Supply above gauge

less liquid fill

2.5" Bottom Connection with optional Back Flange



2.5" Back Connection with optional Front Flange



Order Codes (products in bold are normally in stock)

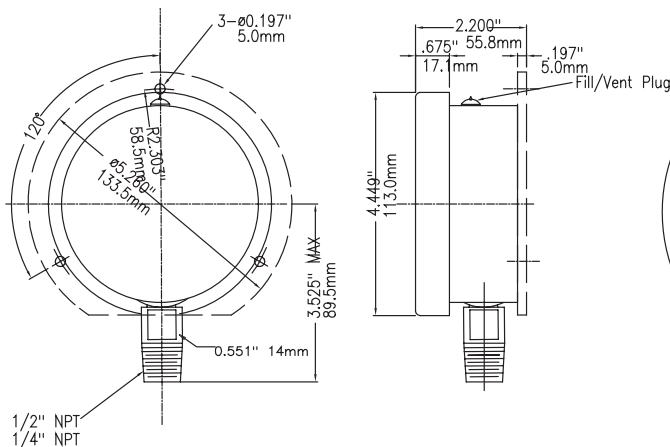
Dial Size	6" (150mm)			
	1/4" Bottom	1/4" Back (LB)	1/2" Bottom	1/2" Back (LB)
Movement, Socket, Tube	SS	SS	SS	SS
30" Hg Vacuum/kPa	PFP1078	PFP1168	-	-
30"-0-15 psi/kPa	PFP1079	-	-	-
30"-0-30 psi/kPa	PFP1052	-	-	-
30"-0-60 psi/kPa	PFP1053	-	-	-
30"-0-100 psi/kPa	PFP1054	-	-	-
30"-0-150 psi/kPa	PFP1055	-	-	-
30"-0-200 psi/kPa	PFP1057	-	-	-
30"-0-300 psi/kPa	PFP1058	-	-	-
0-15 psi/kPa	PFP1059	PFP1159	-	-
0-30 psi/kPa	PFP1060	PFP1160	-	-
0-60 psi/kPa	PFP1061	PFP1161	-	-
0-100 psi/kPa	PFP1062	PFP1162	-	-
0-160 psi/kPa	PFP1063	PFP1163	-	-
0-200 psi/kPa	PFP1064	PFP1164	-	-
0-300 psi/kPa	PFP1065	PFP1165	-	-
0-400 psi/kPa	PFP1077	-	-	-
0-600 psi/kPa	PFP1066	PFP1166	-	-
0-1,000 psi/kPa	PFP1067	PFP1167	PFP1080	-
0-1,500 psi/kPa	PFP1068	-	PFP1081	PFP1169
0-2,000 psi/kPa	PFP1069	-	PFP1082	PFP1170
0-3,000 psi/kPa	PFP1070	-	PFP1083	PFP1171
0-5,000 psi/kPa	PFP1072	-	PFP1085	PFP1172
0-6,000 psi/kPa	-	-	PFP1089	PFP1176
0-10,000 psi/kPa	PFP1073	-	PFP1086	PFP1173
0-15,000 psi/kPa	PFP1074	-	PFP1087	PFP1174
0-20,000 psi/kPa	PFP1075	-	PFP1088	PFP1175

Option suffix for above order codes only:

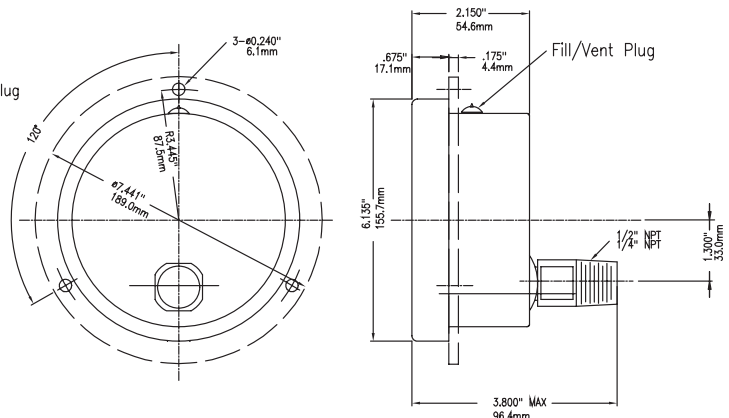
6UC = 6" (150mm) U-Clamp
 6FF = 6" (150mm) Front Flange
 6BF = 6" (150mm) Back Flange
 SG-6 = Safety Glass Lens 6"

SF6 = Silicone Filled for 6"
 SC = Safety Case (6" bottom connection only)
 Dry = supply above gauge less liquid fill
 Other ranges and connection sizes available upon request

4" Bottom Connection, Back Flange Option



6" Back Connection with Front Flange



Series Number (for custom, non-standard product)

	P	F	P													
SERIES																
DIAL SIZE																
2.5" (63mm)				2	5											
4.0" (100mm)				4	0											
6.0" (150mm)				6	0											
CASE MATERIALS																
304SS							T									
316SS							S									
WETTED PARTS																
316SS								S								
Monel									M							
Special									Z							
CONFIGURATION																
Bottom Connection, Stem Mounting										A						
Bottom Connection, Back Flange, Surface Mounting										B						
Bottom Connection, Front Flange, Surface Mounting										C						
Back Connection, Stem Mounting										D						
Back Connection, Back Flange, Surface Mounting										E						
Back Connection, Wide Front Flange, (Drilled) Panel Mounting										F						
Back Connection, Narrow Front Ring, Panel Mounting (Yoke)										V						
Special										Z						
CONNECTION SIZE																
1/8"																8
1/4"																4
1/2"																2
Special																Z
THREAD																
NPT																N
BSP (G)																B
BSPT (R)																T
M14 x 1.5																F
M20 x 1.5																M
Special																Z
PRIMARY SCALE																
UNITS - See Page 13																
RANGE - See Page 13																
SECONDARY SCALE																
UNITS - See Page 13																
OPTIONS																
Black Rubber Boot	S			Z												D G
Fluorolube Filled	S			R												D N
Glycerin Filled	S			E												D P
Halocarbon Filled	S			Q												D H
Maximum Adjustable Pointer	S			J												D K
Monel Socket and Tube	S			W												D A
NACE-MR0175-2002	S			5												D B
Oxygen Cleaning	S			L												D L
Silicone Filled	S			D												D O
Safety Glass	S			A												D Q
Stainless Steel Tag Plate	S			M												T A
Stabilizer Movement	S			3												T B
Test Certificate	S			O												X X
U-Clamp	S			H												
Back Flange + U-Clamp																D G
Back Flange + Solid Front Safety Case																D N
Back Flange + Black Rubber Boot																D P
Front Flange + U-Clamp																D H
Glycerin Filled + Safety Glass																D K
Safety Glass + Front Flange																D A
Safety Glass + Back Flange																D B
Silicone Filled + Safety Glass																D L
Safety Glass + Monel Socket and Tube																D O
Safety Glass + Maximum Adjustable Pointer																D Q
Safety Glass + Glycerin Filled + Front Flange																T A
Safety Glass + Silicone Filled + Back Flange																T B
No Options																X X