

Class 200 • Union Bonnet • Plug Type Disc • Threaded Ends

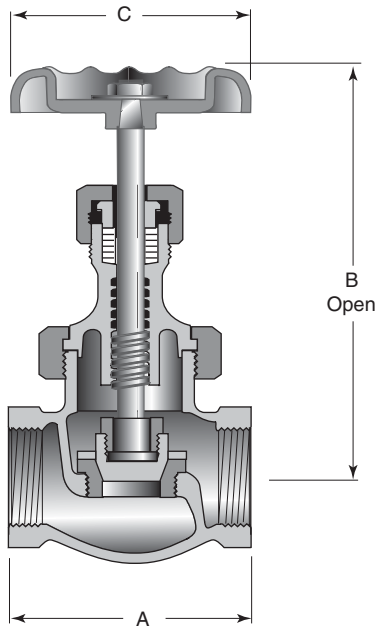


Figure 2050J

Size Range:

¼ through 3 inches

Working Pressures

Non-Shock:

200 psi Steam, Basic Rating

400 psi Cold Working Pressure

Features

- Rising Stem
- Union Bonnet
- Ideal for severe services such as throttling, soot blower, blow-off, boiler feed, drip and drain lines and is recommended for non-shock water, oil, gas, or air applications.
- Tapered Plug Type Disc
- Threaded Ends
- Stainless Steel Seat Ring
- Disc and seat ring are renewable.
- MSS Specification SP-80

For more detailed features, refer to Page 20.

Principal Parts & Materials

Part	Material	ASTM
Body & bonnet	Bronze	B61 alloy C92200
Stem	Brass	B371 alloy C69400
Disc & seat ring	Stainless Steel	A276 S42000

Dimensions and Weights

Inches (millimeters) - pounds (kilograms)

	¼ (6)	⅜ (10)	½ (15)	¾ (20)	1 (25)	1 ¼ (32)	1 ½ (40)	2 (50)	2½ (65)	3 (80)
A	1.94 (49)	1.94 (49)	2.56 (65)	2.96 (75)	3.50 (89)	4.02 (102)	4.58 (116)	5.70 (145)	7.28 (185)	8.70 (221)
B	4.39 (112)	4.39 (112)	4.09 (104)	4.18 (106)	5.45 (138)	6.36 (162)	6.95 (177)	7.55 (192)	8.44 (214)	9.79 (249)
C	2.75 (70)	2.75 (70)	2.13 (54)	3.03 (77)	3.03 (77)	3.72 (95)	4.72 (120)	5.28 (134)	6.97 (177)	7.00 (178)
WTS.	0.8 (0.36)	1.10 (0.45)	1.80 (0.90)	2.40 (1.08)	3.80 (1.72)	6.00 (2.71)	8.20 (4.1)	13.20 (5.96)	25.10 (11.37)	40.50 (18.38)