

PAG 3A Food, Beverage & Dairy Sanitary Gauge



Description & Features:

- $\pm 0.75\%$ full scale accuracy
- Food grade glycerin filling standard
- Re-zero feature standard
- Crack/breakage-resistant polycarbonate lens standard
- Clean-In-Place design
- Steam-In-Place design
- Autoclavable
- 5 year warranty

Applications:

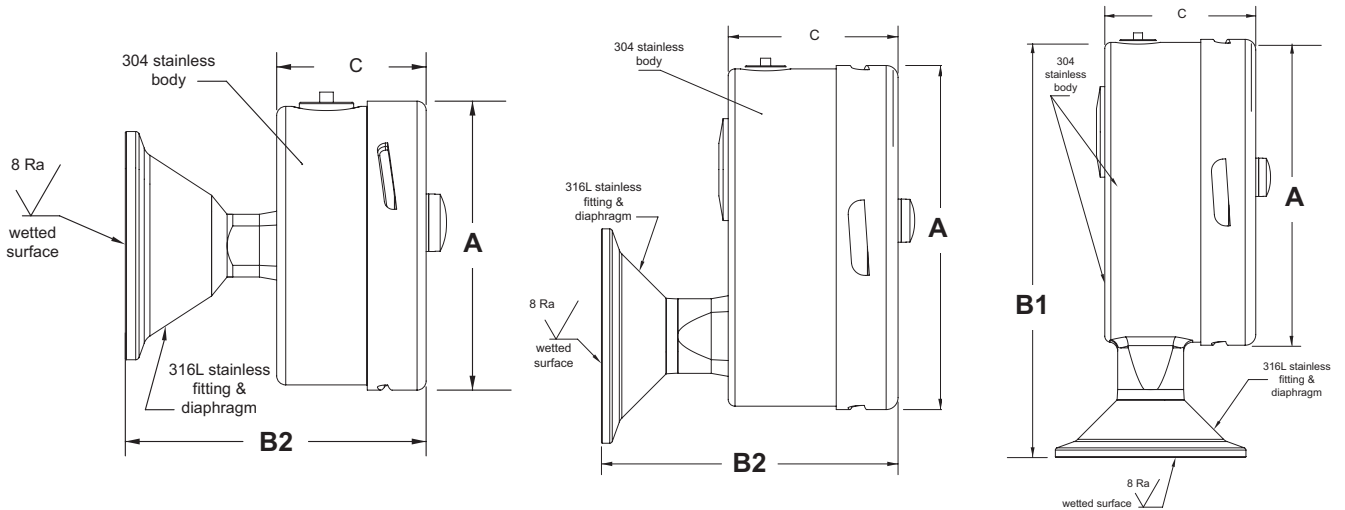
- Built to withstand the harshest of sanitary applications and where 3A approval is required

Specifications	
Dial	2.5" (63mm), 4" (100mm) aluminum
Case	304 SS, polished
Repeatability	0.25% of full scale
Linearity	0.25% of full scale
Lens	$\frac{3}{16}$ " thick polycarbonate
Over-range Capability	50% of full scale
Hysteresis	0.25% of full scale
CIP Temperature Limit	250°F (121°C) continuous
SIP Temperature Limit	300°F (149°C) 1 hour, dry
Bourdon Tube	316L SS, welded
Socket	316L SS, welded
Storage Temperature	-22°F to 195°F (-30°C to 91°C)
Temperature Effect	Less than 0.16% per 10°F (5.5°C) change in process or ambient temperature
Actuating Fill	Food grade glycerin standard (Mineral oil, silicone and Neobee-20 optional)
Case Fluid	Food grade glycerin standard (Dry, mineral oil, silicone and Neobee-20 optional)
Pulsation Dampening	Standard
Re-zero Feature	Externally adjustable micrometer pointer
Wetted Parts	316L SS, Ra = 8 microinches
Bezel	304 SS, polished
Ambient Temperature	40°F to 140°F (4°C to 60°C)
Process Temperature	0°F to 250°F (-18°C to 121°C)
Accuracy	$\pm 0.75\%$ ANSI/ASME Grade A

Order Codes (products in bold are normally in stock)

Dial Size	2.5" (63mm)				4" (100mm)			
	1.5" (40mm)		2" (50mm)		1.5" (40mm)		2" (50mm)	
Tri-Clamp®	Bottom	Back	Bottom	Back	Bottom	Back	Bottom	Back
30"/0/30 psi/bar	PAG15798	PAG15798B	PAG20798	PAG20798B	PAG151021	PAG151021B	PAG201021	PAG201021B
30"/0/60 psi/bar	PAG15799	PAG15799B	PAG20799	PAG20799B	PAG151022	PAG151022B	PAG201022	PAG201022B
30"/0/100 psi/bar	PAG15791	PAG15791B	PAG20791	PAG20791B	PAG151023	PAG151023B	PAG201023	PAG201023B
30"/0/150 psi/bar	PAG15793	PAG15793B	PAG20793	PAG20793B	PAG151025	PAG151025B	PAG201025	PAG201025B
30"/0/200 psi/bar	PAG15794	PAG15794B	PAG20794	PAG20794B	PAG151026	PAG151026B	PAG201026	PAG201026B
30"/0/300 psi/bar	PAG15795	PAG15795B	PAG20795	PAG20795B	PAG151027	PAG151027B	PAG201027	PAG201027B
0 - 30 psi/bar	PAG15802	PAG15802B	PAG20802	PAG20802B	PAG15602	PAG15602B	PAG20602	PAG20602B
0 - 60 psi/bar	PAG15803	PAG15803B	PAG20803	PAG20803B	PAG15603	PAG15603B	PAG20603	PAG20603B
0 - 100 psi/bar	PAG15804	PAG15804B	PAG20804	PAG20804B	PAG15604	PAG15604B	PAG20604	PAG20604B
0 - 160 psi/bar	PAG15805	PAG15805B	PAG20805	PAG20805B	PAG15605	PAG15605B	PAG20605	PAG20605B
0 - 200 psi/bar	PAG15806	PAG15806B	PAG20806	PAG20806B	PAG15606	PAG15606B	PAG20606	PAG20606B
0 - 300 psi/bar	PAG15807	PAG15807B	PAG20807	PAG20807B	PAG15607	PAG15607B	PAG20607	PAG20607B
0 - 600 psi/bar	PAG15808	PAG15808B	PAG20808	PAG20808B	PAG15608	PAG15608B	PAG20608	PAG20608B

Other ranges available upon request
 Autoclavable option available on 4" (100mm) dry only
 Tri-Clamp® is a registered trade mark of Tri-Clover



Dimensions

Dial	A	B1 Tri-Clamp® Bottom	B2 Tri-Clamp® Back	C
2.5"	2.5 (63mm)	3 ¹³ / ₁₆ " (96.8mm)	2 ⁵ / ₁₆ " (66.8mm)	1 ⁵ / ₁₆ " (33.3mm)
4"	4" (100mm)	5 ⁷ / ₁₆ " (138.2mm)	3 ⁷ / ₁₆ " (87.4mm)	1 ¹⁵ / ₁₆ " (49.3mm)

Series Number (for custom, non-standard product)

	P	A	G	-			-		-		-			-		-			-			-			
SERIES																									
DIAL SIZE																									
2.5" (63mm)						2	5																		
4.0" (100mm)						4	0																		
CASE MATERIALS																									
304SS								T																	
316SS								S																	
WETTED PARTS																									
316SS									S																
Special									Z																
CONFIGURATION																									
Bottom Connection, Stem Mounting									A																
Back Connection, Stem Mounting									D																
Special									Z																
CONNECTION SIZE																									
1.5" Tri-Clamp																									
2" Tri-Clamp																									
2.5" Tri-Clamp																									
3" Tri-Clamp																									
Cherry-Burrel Male I-Line																									
Cherry-Burrel Female I-Line																									
RJT																									
SMS																									
SMS51																									
DIN40																									
DIN50																									
Capillary Fill																									
Glycerin (standard)																									
Mineral Oil																									
Neobee-20																									
PRIMARY SCALE																									
UNITS - See Page 13																									
RANGE - See Page 13																									
SECONDARY SCALE																									
UNITS - See Page 13																									
OPTIONS																									
Glycerin filled case (standard)																									
Dry																									
Mineral Oil																									
Neobee-20																									
No Options																									