



0-4,000 psi/kPa



Description & Features:

- Economical, non-sparking brass case gauge
- 2" (50mm) and 2.5" (63mm) brass case
- UL Listing on the 4,000 psi range
- "USE NO OIL" on dial
- Brass socket
- Threaded-on plastic lens
- CRN registered
- 3 year warranty

Applications:

- Welding tank regulators or manifolds, beverage dispensing regulators and other pressurized tanks
- Used on the down stream side of a regulator and the high pressures are UL Listed for measuring cylinder gases

Specifications

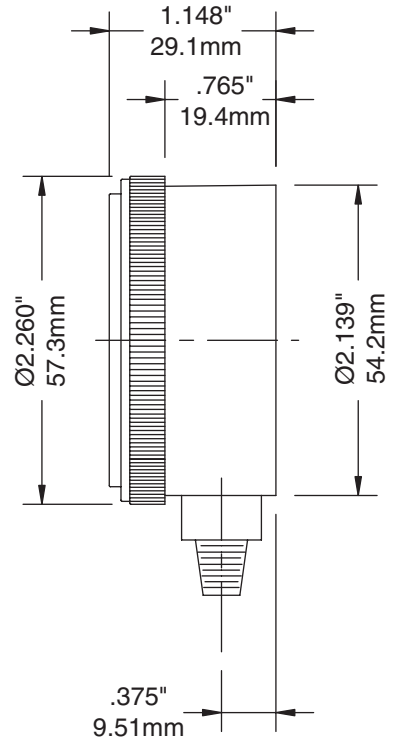
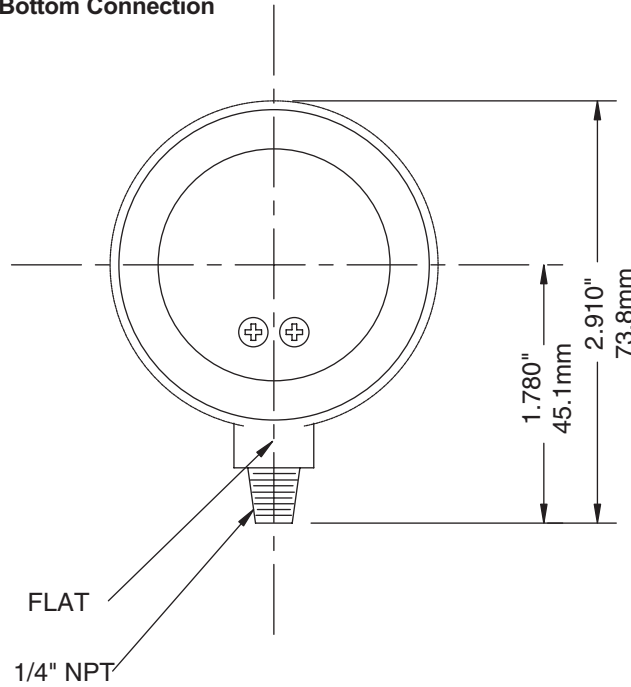
Specifications	
Dial	2" (50mm), 2.5" (63mm) white aluminum with black and red markings
Case	Brass, polished
Lens	Plexiglass
Ring	Brass, polished
Socket	Brass
Connection	1/4" NPT standard, bottom
Bourdon Tube	Phosphor bronze
Movement	Brass
Pointer	Aluminum, painted black
Welding	Silver alloy
Over-Pressure Limit	25% of full scale value
Working Pressure	Maximum 75% of full scale value
Ambient/Process Temperature	-40°F to 150°F (-40°C to 65°C)
Accuracy	±3-2-3% ANSI/ASME Grade B
Enclosure Rating	IP52

None: Also see Compressed Gas Gauge for more choices

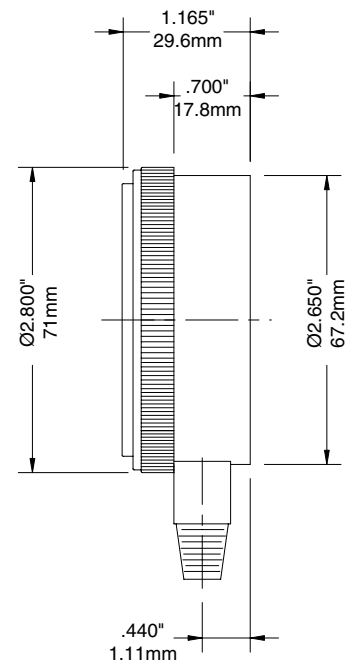
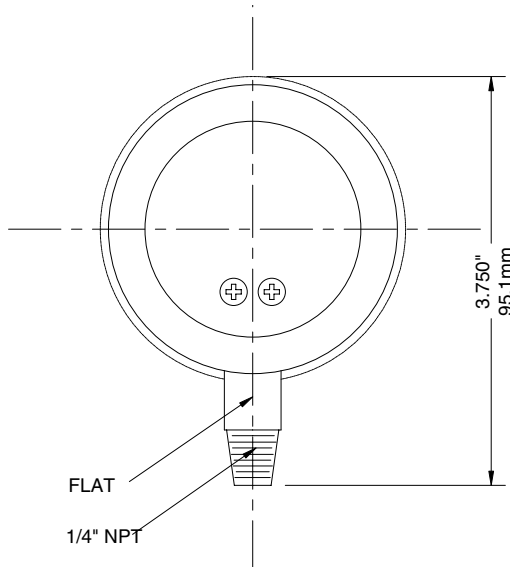
Order Codes (products in bold are normally in stock)

Dial Size	2" (50mm)	2.5" (63mm)
0-30 psi	PWL2720	PWL2820
0-100 psi	PWL2722	PWL2822
0-200 psi	PWL2724	PWL2824
0-400 psi	PWL2726	PWL2826
0-4,000 psi	PWL2732	PWL2832

2" Bottom Connection



2.5" Bottom Connection



Series Number (for custom, non-standard product)

	P	W	L	-		-		-		-		-		-		-		-		-	
SERIES				-																	
DIAL SIZE																					
2.0" (50mm)					2	0															
2.5" (63mm)					2	5															
CASE MATERIALS																					
304SS																					
316SS																					
Aluminum																					
Brass																					
Plastic																					
Steel Painted Black																					
WETTED PARTS																					
Brass																					
316SS																					
Monel																					
Special																					
CONFIGURATION																					
Bottom Connection, Stem Mounting																					
Back Connection, Stem Mounting																					
Special																					
CONNECTION SIZE																					
1/8"																					
1/4"																					
Special																					
THREAD																					
NPT																					
BSP (G)																					
BSPT (R)																					
Special																					
PRIMARY SCALE																					
UNITS - See Page 13																					
RANGE - See Page 13																					
SECONDARY SCALE																					
UNITS - See Page 13																					
OPTIONS																					
Acrylic lens																					S V
Black Rubber Boot																					S Z
Blowout Disk																					S B
Oxygen Cleaning																					S L
Stainless Steel Tag Plate																					S M
Stabilizer Movement																					S 3
Test Certificate																					S O
U-Clamp																					S H
UL Approval																					U L
No Options																					X X