

30 to 1,000 psi (200 to 6,900 kPa)



Description & Features:

- Meets the requirements of dairy, food, beverage, chemical and pharmaceutical industries
- CRN registered
- 1 year warranty

Applications:

- When attached to a Winters all stainless steel construction pressure gauge, the unit becomes completely sanitary, making it impossible for bacteria to form and contaminate the process product

Specifications	
Housing	AISI 316 SS
Diaphragm	AISI 316L SS, welded
Minimum Operating Pressure	30 psi (200 kPa)
Maximum Operating Pressure	1,000 psi (6,900 kPa)
Gauge Connection	1/4" NPT female
Process Connection	1.5" (40mm) and 2" (50mm) Tri-Clamp® fitting standard
Process Temperature	-4°F to 248°F (-20°C to 120°C)
Surface Finish	8 Ra

Order Codes (products in bold are normally in stock)

1.5" (40mm)	2" (50mm)
D20980	D20976

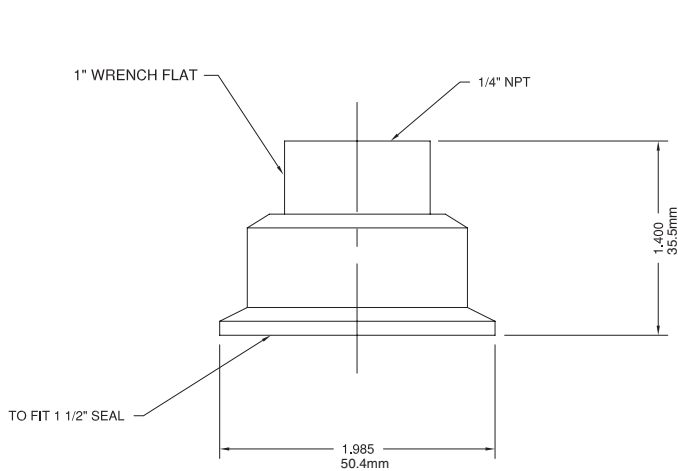
Option suffix for above order codes only:

SF-D = Silicone fill (seal only)

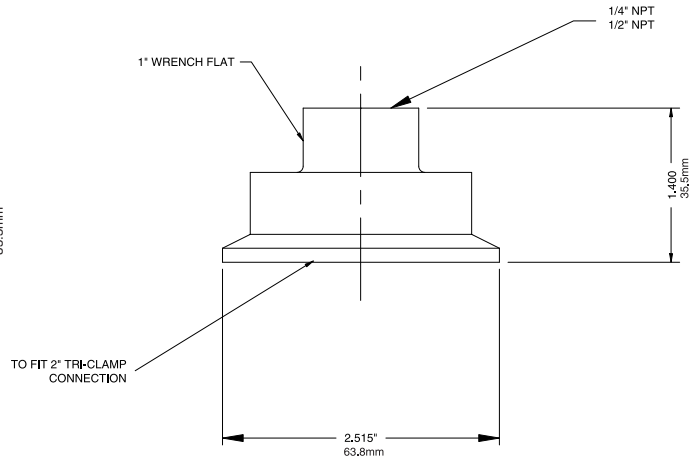
Tri-Clamp® is a registered trademark of Tri-Clover

D20 #20 Diaphragm Seal

1.5" Tri-Clamp®



2" Tri-Clamp®



Series Number



SERIES

GAUGE CONNECTION

1/4" NPT female	4	N
3/8" BSP female	3	B
1/2" BSPT female	2	T
M20 X 1.5 female	M	2

CLAMP

1.5"	A
2"	B
2.5"	C

OPTIONS

1m SS Remote Capillary	1
1.6m SS Remote Capillary	6
2m SS Remote Capillary	2
3m SS Remote Capillary	3
4m SS Remote Capillary	4
5m SS Remote Capillary	5
8m SS Remote Capillary	8
Others	X
No Armour	0
SS Armour	S
Glycerine/water-filled (-10/120C)	A
Silicone-filled (-20/200C)	B
Silicone-filled (-90/100C)	C
Halocarbon (-40/175C)	D
Fluorolube-filled	E
High Temperature Oil (-20/400C)	F

Tri-Clamp® is a registered trademark of Tri-Clover