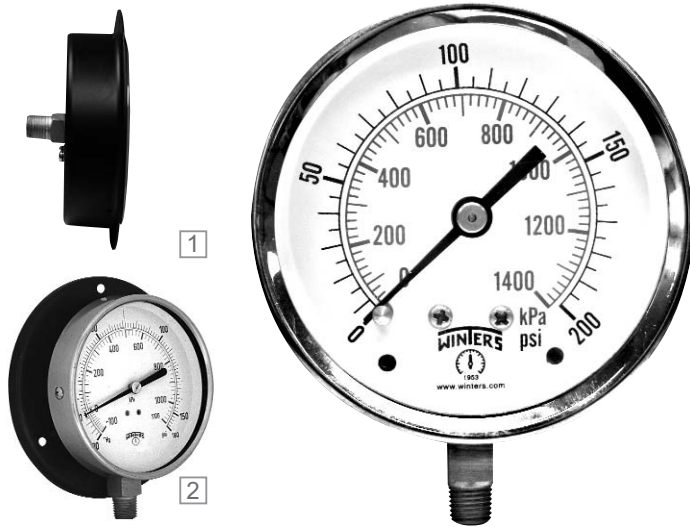


# P1S 100 Series Gauge



1. Optional Front Flange  
2. Optional Back Flange

## Description & Features:

- High quality, commercial grade gauge at an economical price
- $\pm 1\%$  accuracy
- Adjustable pointer
- Steel and aluminum cases
- Brass wetted parts
- CRN registered
- 3 year warranty

## Applications:

- Plumbing and heating

Specifications	
Dial	3.5" (90mm), 4" (100mm): Black steel 4.5" (115mm), 6" (150mm): White aluminum dial
Case	3.5" (90mm), 4" (100mm) Back: Steel 4.5" (115mm), 6" (150mm) Bottom: Black steel Others: Black aluminum
Lens	3.5" (90mm), 4.5" (115mm) bottom connection, 6" (150mm): Glass Others: Polycarbonate
Ring	3.5" (90mm), 4" (100mm), 4.5" (115mm) bottom connection: Polished brass 6" (150mm) bottom connection: Steel painted black
Socket	Brass
Connection	$\frac{1}{4}$ " NPT standard
Bourdon Tube	Phosphor bronze
Pointer	Black aluminum, adjustable
Welding	Silver alloy
Over-Pressure Limit	25% of full scale value
Working Pressure	Maximum 75% of full scale value
Ambient/Process Temperature	-40°F to 150°F (-40°C to 65°C)
Accuracy	$\pm 1\%$ ANSI/ASME Grade A

### Order Codes (products in bold are normally in stock)

Dial Size	3.5" (90mm)		4" (100mm)	4.5" (115mm)		6" (150mm)	
Case Material	Steel		Steel	Aluminum		Steel	Aluminum
Connection	Bottom	Centre Back	Centre Back	Bottom	Lower Back	Bottom	Lower Back
30" Hg. vacuum/kPa	<b>P1S234</b>	P1S560	P1S460	P1S410	P1S430	P1S250	P1S475
30"/0/15 psi/kPa	P1S230	P1S568	P1S468	P1S411	P1S431	P1S251C	P1S476
30"/0/30 psi/kPa	<b>P1S231</b>	P1S569	P1S469	<b>P1S412</b>	P1S432	P1S252C	P1S477
30"/0/60 psi/kPa	<b>P1S232</b>	P1S570	P1S470	P1S413	P1S433	P1S259C	P1S478
30"/0/100 psi/kPa	P1S233	P1S571	P1S471	P1S414	P1S434	P1S253C	P1S479
30"/0/160 psi/kPa	<b>P1S229</b>	P1S572	P1S472	P1S416	P1S436	P1S254C	P1S480
30"/0/200 psi/kPa	-	P1S573	-	P1S417	P1S437	P1S255C	P1S481
30"/0/300 psi/kPa	P1S227	P1S574	P1S473	P1S418	P1S438	P1S256C	P1S482
0 - 15 psi/kPa	<b>P1S228</b>	P1S561	P1S461	P1S419	P1S439	-	-
0 - 30 psi/kPa	<b>P1S235</b>	P1S562	P1S462	<b>P1S420</b>	P1S440	<b>P1S251</b>	P1S483
0 - 60 psi/kPa	<b>P1S236</b>	P1S563	P1S463	<b>P1S421</b>	P1S441	P1S252	P1S484
0 - 100 psi/kPa	<b>P1S237</b>	P1S564	P1S464	<b>P1S422</b>	P1S442	P1S253	P1S485
0 - 160 psi/kPa	<b>P1S238</b>	P1S565	P1S465	<b>P1S423</b>	P1S443	P1S254	P1S486
0 - 200 psi/kPa	<b>P1S239</b>	P1S566	P1S466	<b>P1S424</b>	P1S444	P1S255	P1S487
0 - 300 psi/kPa	P1S240	P1S567	P1S467	<b>P1S426</b>	P1S446	P1S256	P1S488
0 - 600 psi/kPa	-	-	-	P1S490	-	-	-
0 - 1,000 psi/kPa	-	-	-	P1S491	-	-	-
0 - 3,000 psi/kPa	-	-	-	P1S492	-	-	-
0 - 5,000 psi/kPa	-	-	-	P1S493	-	-	-

#### Option suffix for above order codes only:

35QBF = 3.5" Back flange

4QBF = 4" Back flange

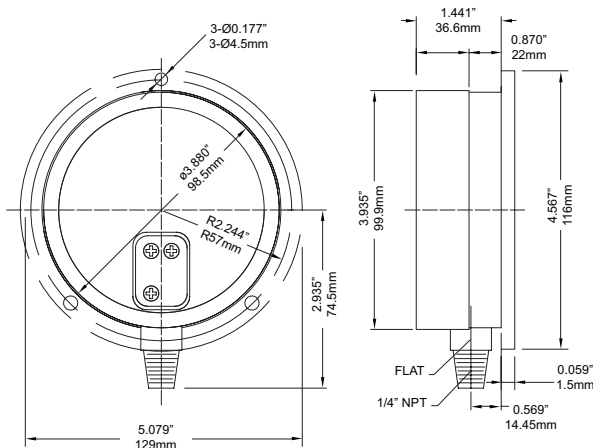
45QBF = 4.5" Back flange

6QBF = 6" Back flange

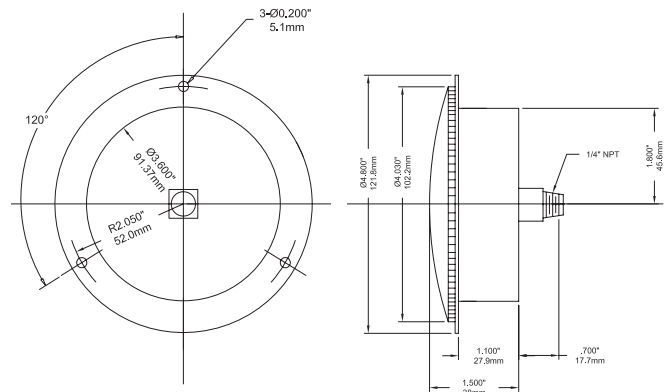
Other connections and ranges available upon request

Note: Syphon recommended for all steam applications

#### 3.5" Bottom Connection with Optional Back Flange

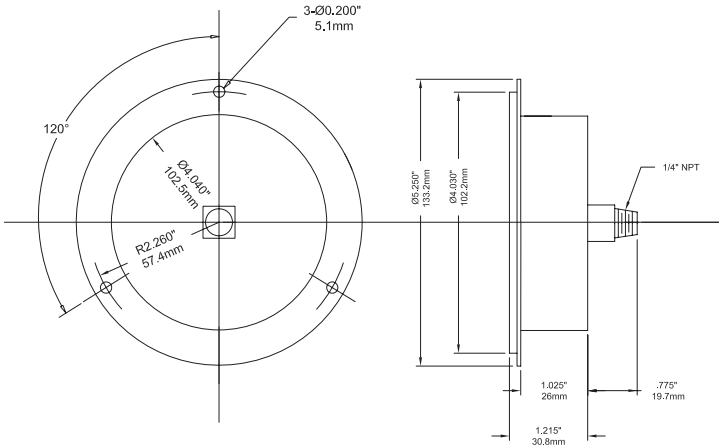


#### 3.5" Back Connection with Standard Front Flange

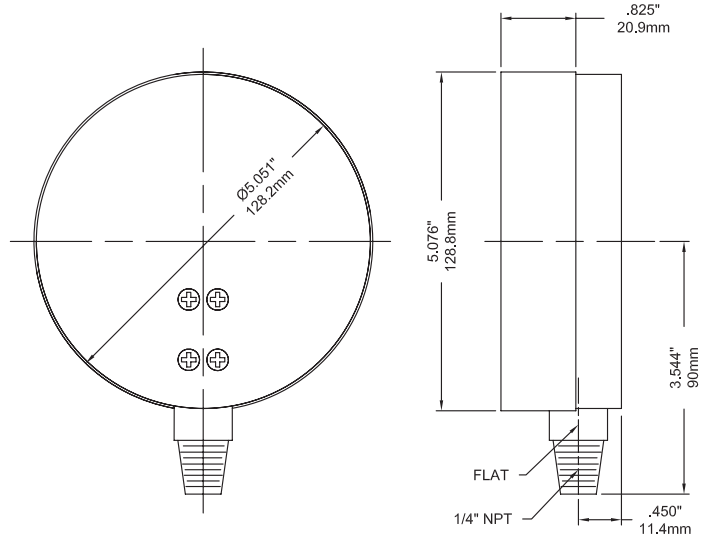


# P1S 100 Series Gauge

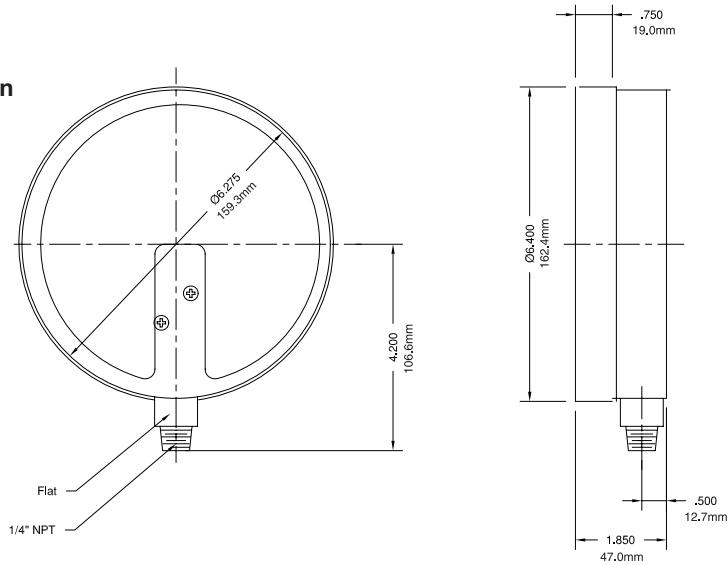
### 4" Centre Back Connection with Front Flange



### 4.5" Bottom Connection



### 6" Bottom Connection



### 6" Back Connection with Front Flange

