

PEM Economy Gauge



Description & Features:

- Most economical, all-purpose pressure gauge
- 1.5" (40mm) to 4" (100mm) sizes
- Friction bezel rings
- Black steel case
- Brass internals
- $\pm 3-2-3\%$ accuracy
- CRN registered
- 1 year warranty

Applications:

- Plumbing, heating, air conditioning, pneumatic, hydraulic, water tanks, air compressors, OEM

Specifications

Dial	1.5" (40mm), 2" (50mm), 2.5" (63mm), 4" (100mm) white aluminum with black and red markings
Case	Steel, painted black (plastic available)
Lens	1.5" (40mm), 2" (50mm), 2.5" (63mm): Polycarbonate 4" (100mm): Glass
Ring	1.5" (40mm), 2" (50mm): Steel, painted black 2.5" (63mm), 4" (100mm): Steel, chrome plated
Socket	Brass
Connection	$\frac{1}{8}$ " NPT or $\frac{1}{4}$ " NPT standard
Bourdon Tube	Phosphor bronze
Movement	Brass
Pointer	Steel, painted black
Welding	Silver alloy
Over-Pressure Limit	25% of full scale value
Working Pressure	Maximum 75% of full scale value
Ambient/Process Temperature	-40°F to 150°F (-40°C to 65°C)
Accuracy	$\pm 3-2-3\%$ ANSI/ASME Grade B
Enclosure Rating	IP52

Order Codes (products in bold are normally in stock)

Dial Size	1.5" (40mm)		2" (50mm)					2.5" (63mm)		4" (100mm)
	$\frac{1}{8}$ " Bottom	$\frac{1}{8}$ " Centre Back	$\frac{1}{8}$ " Centre Back	$\frac{1}{4}$ " Centre Back	$\frac{1}{8}$ " Bottom	$\frac{1}{4}$ " Bottom	$\frac{1}{4}$ " psi Only Bottom	$\frac{1}{4}$ " Centre Back	$\frac{1}{4}$ " Bottom	$\frac{1}{4}$ " Bottom
Case Material	Steel	Steel	Steel	Steel	Steel	Steel	Plastic	Steel	Steel	Steel
30" Hg. vacuum/kPa	PEM1297	PEM1397	PEM1424	PEM1428	PEM195	PEM135	PEM1398	PEM1431	PEM210	PEM220
30"/0/15 psi/kPa	-	-	-	-	-	-	-	-	PEM152	-
30"/0/30 psi/kPa	-	-	-	-	-	-	-	-	PEM153	-
30"/0/60 psi/kPa	-	-	-	-	-	-	-	-	PEM154	-
30"/0/100 psi/kPa	-	-	-	-	-	-	-	-	PEM155	-
0 - 15 psi/kPa	PEM1299	PEM1399	PEM1425	PEM1429	PEM196	PEM136	-	PEM1436	PEM211	-
0 - 30 psi/kPa	PEM1300	PEM1400	PEM1402	PEM1403	PEM206	PEM199	PEM200	PEM1437	PEM212	PEM221
0 - 60 psi/kPa	PEM1301	PEM1401	PEM1404	PEM1405	PEM207	PEM201	PEM194	PEM1438	PEM213	PEM222
0 - 100 psi/kPa	PEM1320	PEM1420	PEM1406	PEM1407	PEM208	PEM202	-	PEM1439	PEM214	PEM223
0 - 160 psi/kPa	PEM1321	PEM1421	PEM1408	PEM1409	PEM197	PEM203	-	PEM1440	PEM215	PEM224
0 - 200 psi/kPa	PEM1322	PEM1422	PEM1426	PEM1410	PEM209	PEM204	-	PEM1441	PEM216	PEM225
0 - 300 psi/kPa	PEM1323	PEM1423	PEM1427	PEM1411	PEM198	PEM205	-	PEM1442	PEM217	PEM226
0 - 400 psi/kPa	-	-	-	-	-	-	-	-	PEM219	-
0 - 600 psi/kPa	-	-	-	-	-	-	-	-	PEM218	-
0 - 1,000 psi/kPa	-	-	-	-	-	-	-	-	PEM290	-
0 - 3,000 psi/kPa	-	-	-	-	-	-	-	-	PEM291	-
0 - 5,000 psi/kPa	-	-	-	-	-	-	-	-	PEM292	-

Option suffix for above order codes only:

ECASE 15 SS BK = 1.5" SS back case connection
 ECASE 15 SS BTM = 1.5" SS bottom connection
 ECASE2055 BK = 2" SS Case back connection
 ECASE2055 BTM = 2" SS Case bottom connection
 Lead free construction available

GL15 = glass lens for 1.5" dial

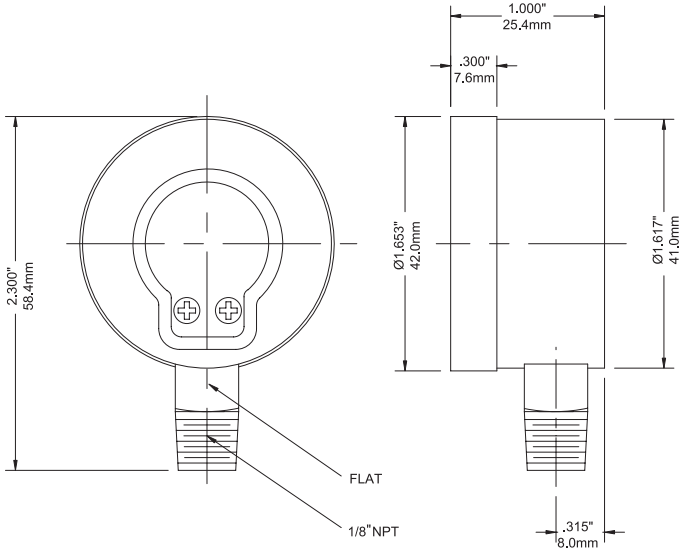
GL2= glass lens for 2" dial

GL25 = glass lens for 2.5" dial

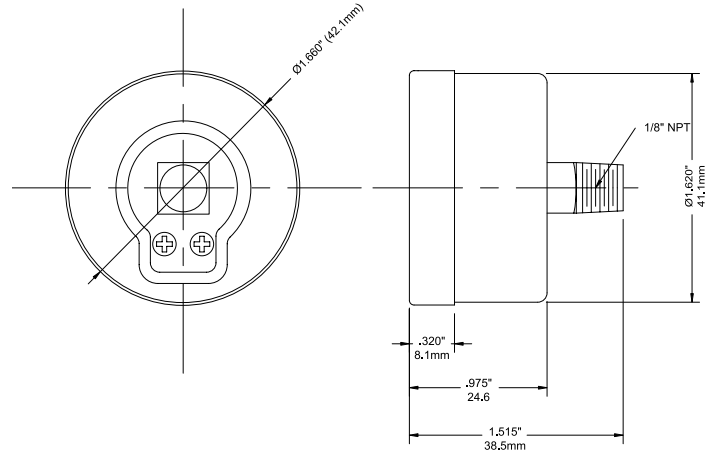
Other ranges, connections and connection sizes available

Note: See Regulator Gauges for 1.5" to 2" SS internals

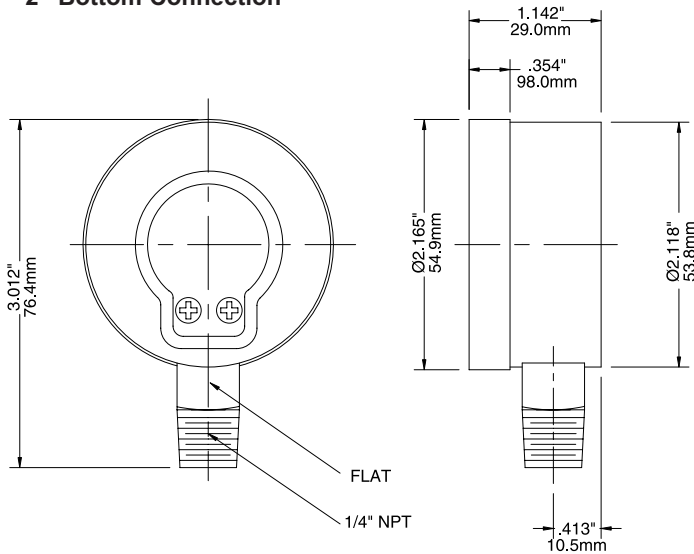
1.5" Bottom Connection



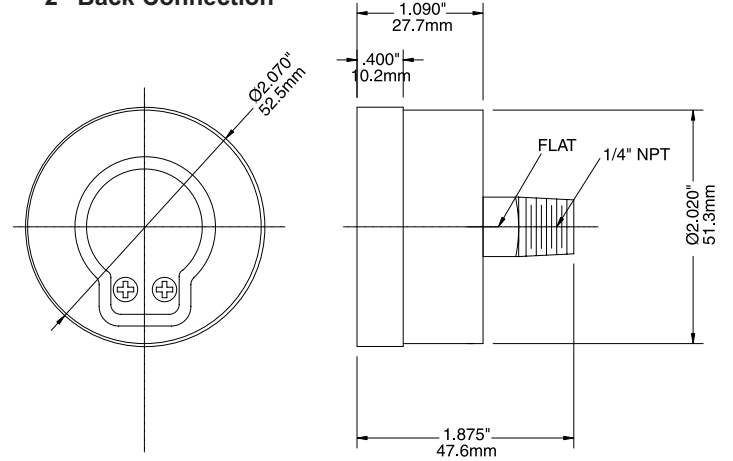
1.5" Back Connection



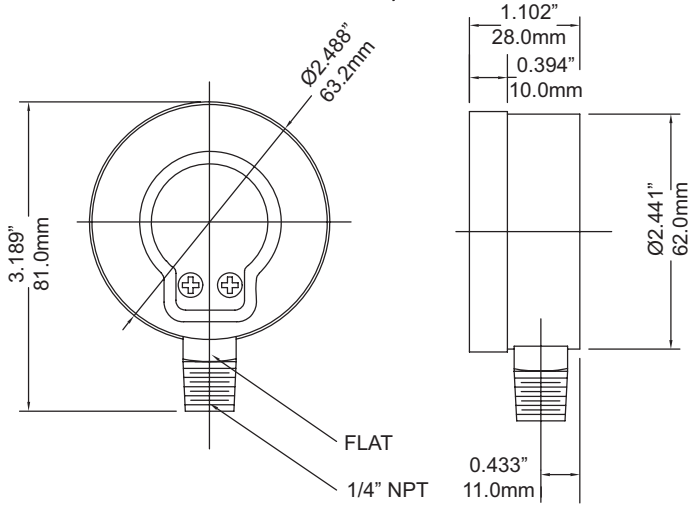
2" Bottom Connection



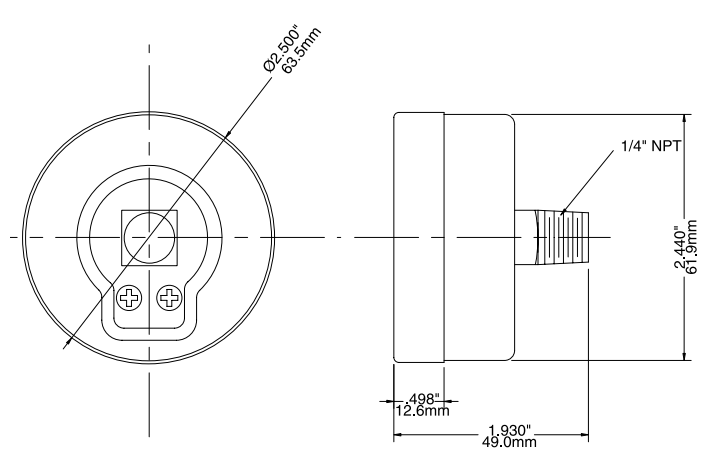
2" Back Connection



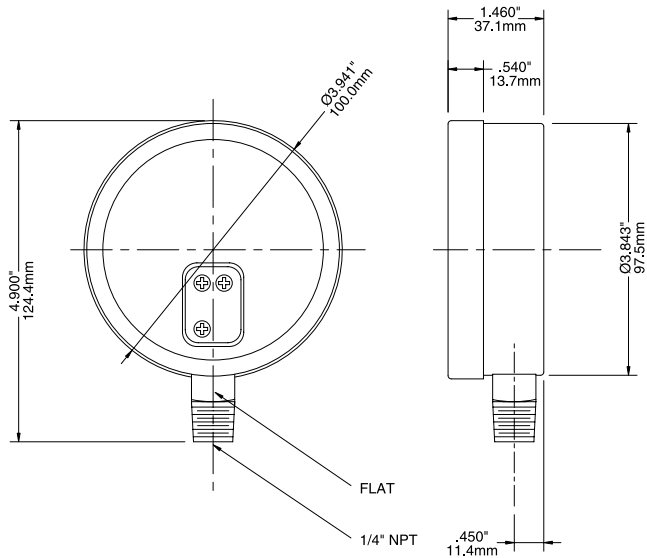
2.5" Bottom Connection



2.5" Back Connection



4" Bottom Connection



Series Number (for custom, non-standard product)

	P	E	M												
SERIES															
DIAL SIZE															
1.5" (40mm)				1	5										
2.0" (50mm)				2	0										
2.5" (63mm)				2	5										
4.0" (100mm)				4	0										
CASE MATERIALS															
304SS															
Plastic															
Steel Painted Black															
WETTED PARTS															
Brass															
316SS															
304SS															
Special															
CONFIGURATION															
Bottom Connection, Stem Mounting															
Bottom Connection, Back Flange, Surface Mounting															
Back Connection, Stem Mounting															
Back Connection, Back Flange, Surface Mounting															
Back Connection, Wide Front Flange, (Drilled) Panel Mounting															
Special															
CONNECTION SIZE															
1/8"															
1/4"															
3/8"															
1/2"															
Special															
THREAD															
NPT															
BSP (G)															
BSPT (R)															
M14 x 1.5															
M20 x 1.5															
Special															
PRIMARY SCALE															
UNITS - See Page 13															
RANGE - See Page 13															
SECONDARY SCALE															
UNITS - See Page 13															
OPTIONS															
Black Rubber Boot															S Z
Maximum Adjustable Pointer															S J
Oxygen Cleaning															S L
Stainless Steel Tag Plate															S M
Test Certificate															S O
No Options															X X