



Description & Features:

- Prolongs the life of pressure instruments by reducing the damaging effects of pulsation
- 1 year warranty

Applications:

- Can be utilized to change the amount of restriction
- Pumps, compressors, hydraulic presses or fluid power applications

Specifications

Body	Brass or SS
Connection	1/4" or 1/2" NPT Male x Female
Temperature Rating	-40°F to 248°F (-40°C to 120°C)

	Description	SS	Brass
1*	Gland Seal	Teflon®	Teflon®
2*	Stem	316 SS	316 SS
3*	Gland	316 SS	Brass
4*	Gland Washer	316 SS	316 SS
5*	Body	316 SS	Brass

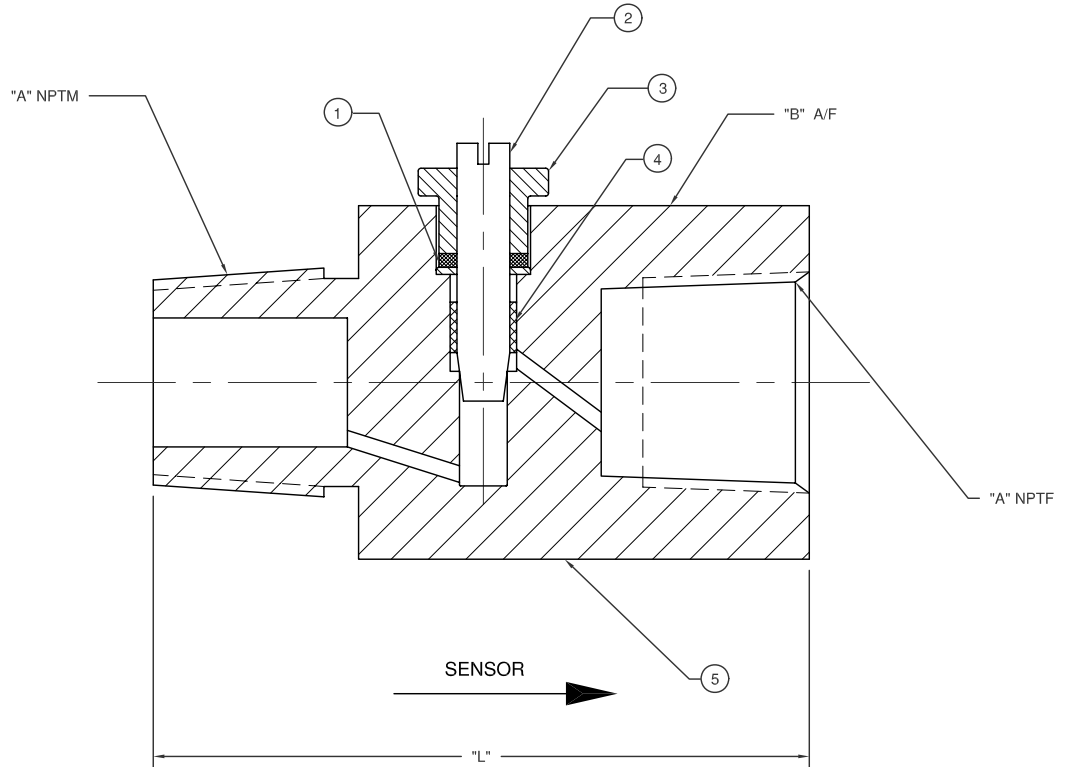
Caution: When adjusting the valve, do not adjust more than two turns from the closed position as leakage will occur

*Refer to drawing

Order Codes (products in bold are normally in stock)

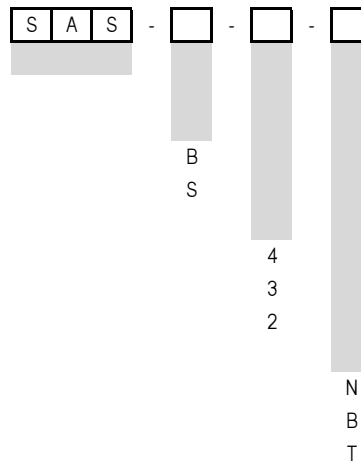
Pressure Rating	Material / NPT Connection	Seal	Code
6,000 psi/kPa	Brass 1/4" MxF	Teflon®	SAS540
6,000 psi/kPa	Brass 1/2" MxF	Teflon®	SAS541
6,000 psi/kPa	SS 1/4" MxF	Teflon®	SAS542
10,000 psi/kPa	SS 1/2" MxF	Teflon®	SAS543

Teflon® is a registered trademark of Dupont Corporation



A	L	B
1/2" NPT	62mm/2.44"	32mm/1.26"
1/4" NPT	52mm/2.05"	22mm/0.87"

Series Number (how to order)



- SERIES**
- MATERIAL**
- Brass
- 316SS
- CONNECTION SIZE**
- 1/4"
- 3/8"
- 1/2"
- THREAD**
- NPT
- BSP (G)
- BSPT (R)