

**Description & Features:**

- Lightweight stainless steel, compact
- Weather resistant
- Customizable
- Available in all standard ranges including in/Hg, and up to 5,000 psi
- NEMA 4/IP65 rating and CE approved
- CSA File 211107-2500042261
- 1 year warranty

Applications:

- Suitable for all hydraulic, pneumatic, level and industrial applications requiring a rugged, versatile and economical transmitter

Specifications	
Electrical Output Signal	2-wire: 4...20 mA
Electrical Connection	DIN
Excitation Voltage	$V_S = 12...36 V_{DC}$
Housing	304 SS
Wetted Parts/Connection	Pressure port: 303 Seals: $P_N < 1,500$ psi: FKM Diaphragm: Ceramic Al_2O_3 96%
Normal Operating Temperature Range	-13°F to 257°F (-25°C to 125°C)
Compensated Temperature Range	-13°F to 185°F (-25°C to 85°C)
Temperature Effect on Zero/Span	Less than $\pm 0.5\%$ FSO per 10 K
Accuracy	$\pm 0.5\%$ FSO BFSL
Stability	Vibration: 10g RMS (20-2,000 Hz) Shock: 100g/11ms
Enclosure Rating	NEMA 4/IP65
Amp. Draw	0.02 amps @ full scale
Sensor	Ceramic

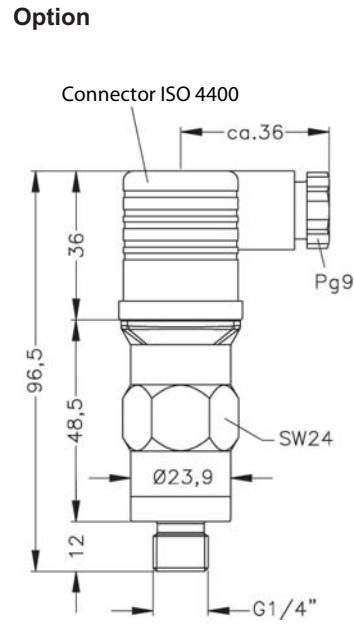
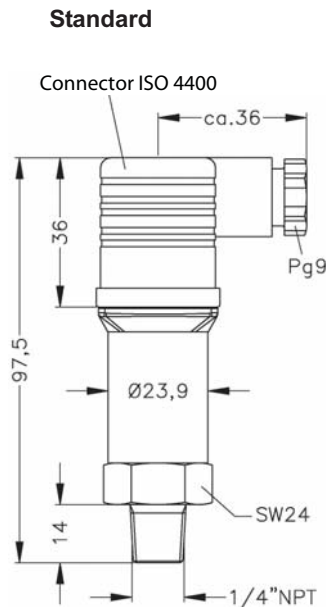
Note: Other connections available upon request

Order Codes

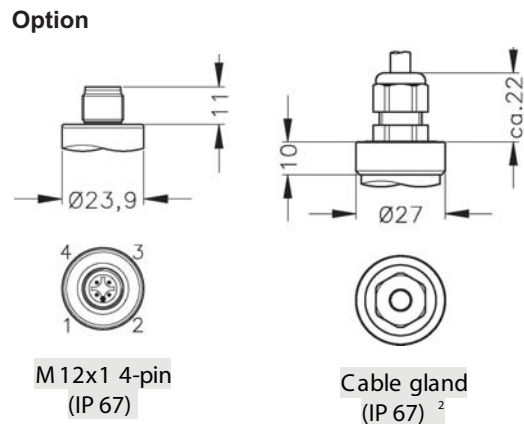
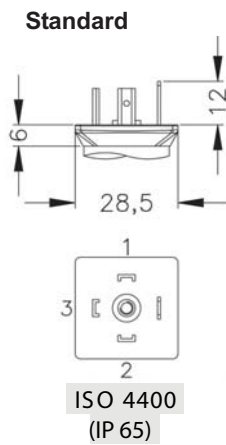
Range	Permissible Overpressure	Code
0-25 psi	100 psi	LE325
0-50 psi	170 psi	LE350
0-100 psi	170 psi	LE3100
0-300 psi	720 psi	LE3300
0-500 psi	1,750 psi	LE3500
0-1,000 psi	1,750 psi	LE31000
0-3,000 psi	5,800 psi	LE33000
0-5,000 psi	8,700 psi	LE35000

LE3 LE3 Series Transmitter

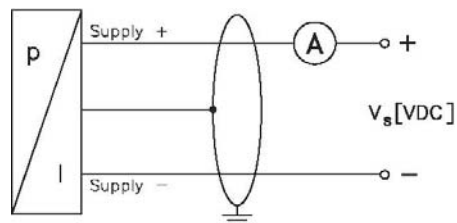
Mechanical Connection



Electrical Connection



Wiring Diagram



² standard: 2m PVC cable (without ventilation tube)

Note: Measurements are in mm

Series Number (for custom, non-standard product)

	L	E	3	-														
SERIES																		
RANGE																		
25					1	6	1											
50					2	5	1											
100					4	0	1											
300					6	0	1											
500					1	0	2											
1000					1	6	2											
3000					2	5	2											
5000					4	0	2											
30"Hg					6	0	2											
Custom					9	9	9											
PRESSURE																		
Gauge								R										
OUTPUT																		
4...20 mA / 2-wire									1									
ACCURACY																		
0.5%										8								
Custom										9								
ELECTRICAL CONNECTION																		
Male and female plug ISO 4400											1	0						
Cable gland incl. cable *											4	0						
M12x1 (4-pin)											M	1						
DIN											D	N						
Custom											9	9						
MECHANICAL CONNECTION																		
G1/4" DIN 3852													3	0				
1/4" NPT													N	4				
Custom													9	9				
DESIGN																		
Hexagon on housing																	1	
Hexagon on pressure port **																	2	
SEALS																		
For Pn < 1400 psi / FKM																		1
For Pn > 1400 psi / NBM																		5
Custom																		9
SPECIAL																		
Standard																		S
Custom																		C

* different cable types and lengths available; standard: 2m PVC cable without ventilation tube, optional cable with ventilation tube

** 1/4" NPT only available