

**Description & Features:**

- $\pm 0.75\%$ full scale accuracy
- Built to withstand the harshest of sanitary applications
- Food grade glycerin filling standard
- Re-zero feature standard
- Crack/breakage-resistant polycarbonate lens standard
- Clean-In-Place design
- Steam-In-Place design
- Autoclavable
- 5 year warranty

Applications:

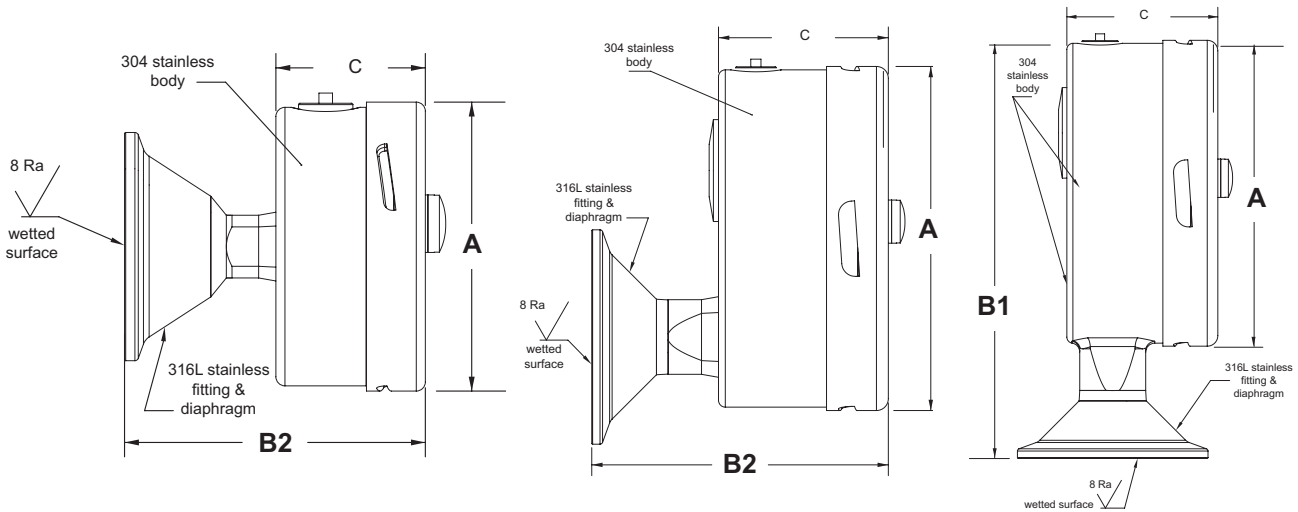
- Demanding pharmaceutical applications requiring strict sanitary instrumentation features and 3A approval

Specifications	
Dial	2.5" (63mm), 4" (100mm) aluminum
Case	304 SS, polished
Repeatability	0.25% of full scale
Linearity	0.25% of full scale
Lens	$\frac{3}{16}$ " thick polycarbonate
Over-range Capability	50% of full scale
Hysteresis	0.25% of full scale
CIP Temperature Limit	250°F (121°C) continuous
SIP Temperature Limit	300°F (149°C) 1 hour, dry
Bourdon Tube	316L SS, welded
Socket	316L SS, welded
Storage Temperature	-22°F to 195°F (-30°C to 91°C)
Temperature Effect	Less than 0.16% per 10°F (5.5°C) change in process or ambient temperature
Actuating Fill	Food grade glycerin standard (Mineral oil, silicone and Neobee-20 optional)
Case Fluid	Food grade glycerin standard (Dry, mineral oil, silicone and Neobee-20 optional)
Pulsation Dampening	Standard
Re-zero Feature	Externally adjustable micrometer pointer
Wetted Parts	316L SS, Ra = 8 microinches
Bezel	304 SS, polished
Ambient Temperature	40°F to 140°F (4°C to 60°C)
Process Temperature	0°F to 250°F (-18°C to 121°C)
Accuracy	$\pm 0.75\%$ ANSI/ASME Grade A

Order Codes (products in bold are normally in stock)

Dial Size	2.5" (63mm)				4" (100mm)			
Tri-Clamp®	1.5" (40mm)		2" (50mm)		1.5" (40mm)		2" (50mm)	
Connection	Bottom	Back	Bottom	Back	Bottom	Back	Bottom	Back
30"/0/30 psi/bar	PPG15798	PPG15798B	PPG20798	PPG20798B	PPG151021	PPG151021B	PPG201021	PPG201021B
30"/0/60 psi/bar	PPG15799	PPG15799B	PPG20799	PPG20799B	PPG151022	PPG151022B	PPG201022	PPG201022B
30"/0/100 psi/bar	PPG15791	PPG15791B	PPG20791	PPG20791B	PPG151023	PPG151023B	PPG201023	PPG201023B
30"/0/150 psi/bar	PPG15793	PPG15793B	PPG20793	PPG20793B	PPG151025	PPG151025B	PPG201025	PPG201025B
30"/0/200 psi/bar	PPG15794	PPG15794B	PPG20794	PPG20794B	PPG151026	PPG151026B	PPG201026	PPG201026B
30"/0/300 psi/bar	PPG15795	PPG15795B	PPG20795	PPG20795B	PPG151027	PPG151027B	PPG201027	PPG201027B
0 - 30 psi/bar	PPG15802	PPG15802B	PPG20802	PPG20802B	PPG15602	PPG15602B	PPG20602	PPG20602B
0 - 60 psi/bar	PPG15803	PPG15803B	PPG20803	PPG20803B	PPG15603	PPG15603B	PPG20603	PPG20603B
0 - 100 psi/bar	PPG15804	PPG15804B	PPG20804	PPG20804B	PPG15604	PPG15604B	PPG20604	PPG20604B
0 - 160 psi/bar	PPG15805	PPG15805B	PPG20805	PPG20805B	PPG15605	PPG15605B	PPG20605	PPG20605B
0 - 200 psi/bar	PPG15806	PPG15806B	PPG20806	PPG20806B	PPG15606	PPG15606B	PPG20606	PPG20606B
0 - 300 psi/bar	PPG15807	PPG15807B	PPG20807	PPG20807B	PPG15607	PPG15607B	PPG20607	PPG20607B
0 - 600 psi/bar	PPG15808	PPG15808B	PPG20808	PPG20808B	PPG15608	PPG15608B	PPG20608	PPG20608B

Note: Other ranges available upon request
 Autoclavable option available on 4" (100mm) dry only
 Tri-Clamp® is a registered trade mark of Tri-Clover



Dimensions

Dial	A	B1 Tri-Clamp® Bottom	B2 Tri-Clamp® Back	C
2.5"	2.5 (63mm)	3 ¹³ / ₁₆ " (96.8mm)	2 ⁵ / ₈ " (66.8mm)	1 ⁵ / ₁₆ " (33.3mm)
4"	4" (100mm)	5 ⁷ / ₁₆ " (138.2mm)	3 ⁷ / ₁₆ " (87.4mm)	1 ¹⁵ / ₁₆ " (49.3mm)

Series Number (for custom, non-standard product)

	P	P	G	-			-		-		-			-			-			-		
SERIES																						
DIAL SIZE																						
2.5" (63mm)					2	5																
4.0" (100mm)					4	0																
CASE MATERIALS																						
304SS								T														
316SS								S														
WETTED PARTS																						
316SS									S													
Special									Z													
CONFIGURATION																						
Bottom Connection, Stem Mounting										A												
Back Connection, Stem Mounting										D												
Special										Z												
CONNECTION SIZE																						
1.5" Tri-Clamp										1	5											
2" Tri-Clamp										2	0											
2.5" Tri-Clamp										2	5											
3" Tri-Clamp										3	0											
Cherry-Burrel Male I-Line										C	M											
Cherry-Burrel Female I-Line										C	F											
RJT										R	J											
SMS										3	8											
SMS51										5	1											
DIN40										4	0											
DIN50										5	0											
Capillary Fill																						
Glycerin (standard)											0	0										
Mineral Oil											0	1										
Neobee-20											0	2										
PRIMARY SCALE																						
UNITS - See Page 13																						
RANGE - See Page 13																						
SECONDARY SCALE																						
UNITS - See Page 13																						
OPTIONS																						
Glycerin filled case (standard)																					0	0
Dry																					0	1
Mineral Oil																					0	2
Neobee-20																					0	3
No Options																					X	X