

D71 #70 NACE Diaphragm Seals (Stainless Steel)



Description & Features:

- Can be used on applications requiring a NACE compliant MR0175-2003 diaphragm seal
- 1 year warranty

Applications:

- Sour gas applications requiring instrumentation that meet NACE International Standards

Specifications	
Housing	316 SS
Diaphragm	316 SS, welded
Construction	Two piece construction
Connection	Top: 1/4" and 1/2" NPT Bottom: 1/4", 1/2", 3/4" and 1" NPT
Process Temperature	-22°F to 212°F (-30°C to 100°C)
Other	Flushing connections available. Other materials available upon request.

Order Codes

Upper Housing (Top)	
316 SS, 1/4" NPT conn., Monel® diaphragm	D7195003
316 SS, 1/2" NPT conn., Monel® diaphragm	D7195203
Lower Housing (Bottom)	
316 SS, 1/4" NPT conn.	D7195403
316 SS, 1/2" NPT conn.	D7195603
316 SS, 1/2" NPT conn. with flushing	D7195703
316 SS, 3/4" NPT conn. with flushing	D7195903
316 SS, 3/4" NPT conn.	D7196303
316 SS, 1" NPT conn.	D7196403
316 SS, 1" NPT conn. with flushing	D7196503

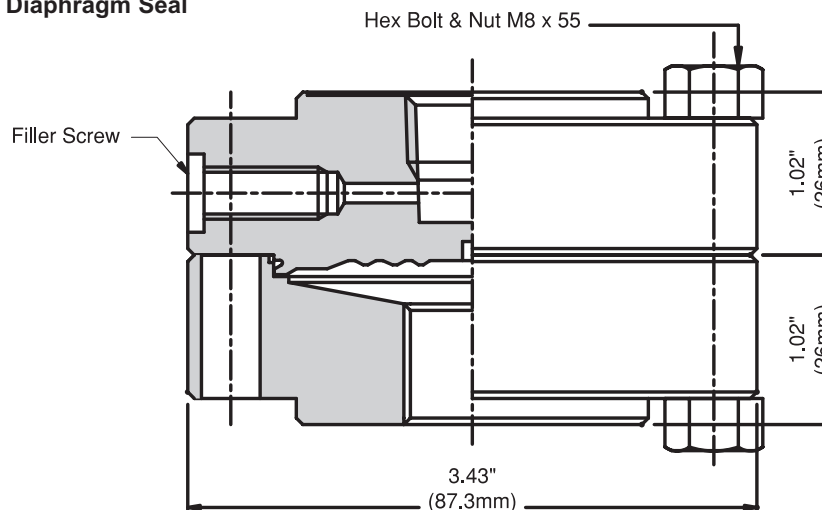
Option suffix for above order codes only:

SF-D = Silicone fill (seal only)

FL-D = Fluorolube fill (seal only)

Other fill fluids (seal only) available upon request

#70 NACE Diaphragm Seal



Monel® is a registered trademark of Inco Alloys International

Series Number (for custom, non-standard product)

	D	7	1	-		-		-		-		-				
SERIES																
GAUGE CONNECTION																
1/4" NPT female					4	N										
3/8" BSP female					3	B										
1/2" BSPT female					2	T										
M20 X 1.5 female					M	2										
PROCESS CONNECTION																
1/4" NPT female					4	N										
3/8" BSP female					3	B										
1/2" BSPT female					2	T										
3/4"					5											
1"					1											
M20 X 1.5 female					M	2										
DIAPHRAGM MATERIALS																
316SS (<22 HRC)							S									
Hastelloy C							H									
LOWER HOUSING MATERIALS																
316SS (<22 HRC)								S								
Hastelloy C								H								
FLUSHING CONNECTION																
None (standard)										N						
1/4" NPT										4						
OPTIONS																
1m SS Remote Capillary															1	
1.6m SS Remote Capillary															6	
2m SS Remote Capillary															2	
3m SS Remote Capillary															3	
4m SS Remote Capillary															4	
5m SS Remote Capillary															5	
8m SS Remote Capillary															8	
Others															X	
No Armour																0
SS Armour																S
Glycerine/water-filled (-10/120C)																A
Silicone-filled (-20/200C)																B
Silicone-filled (-90/100C)																C
Halocarbon (-40/175C)																D
Fluorolube-filled																E
High Temperature Oil (-20/400C)																F