

PBC Forged Brass Case Gauge (psi only)



Description & Features:

- One piece forged brass case dry gauge, designed for severe service conditions
- Easy-to-read single scale psi dial
- 5 year warranty

Applications:

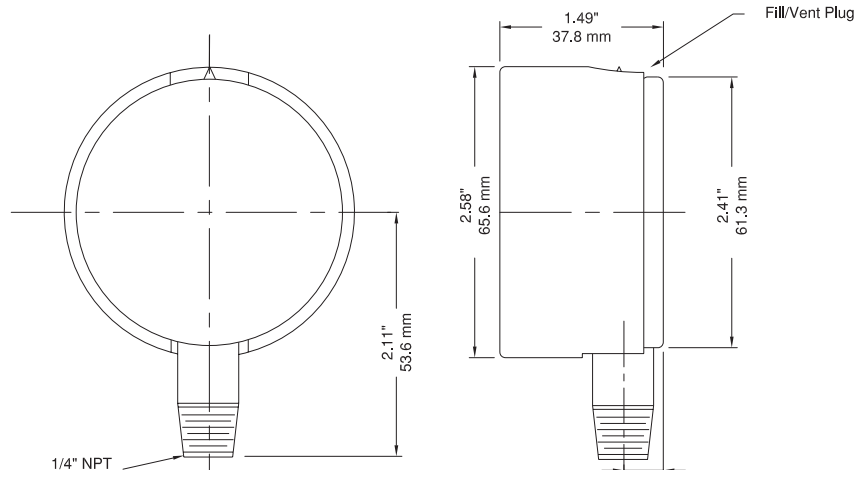
- Industrial and hydraulic systems

Specifications	
Dial	2.5" (63mm), 4" (100mm)
Case	Forged brass, rugged
Lens	Polycarbonate
Ring	2.5" (63mm): Gold-coloured ABS 4" (100mm): Polished Brass
Socket	Brass
Pointer	Aluminum, anodized black
Connection	2.5"(63mm): 1/4" NPT bottom or back 4" (100mm): 1/4" or 1/2" NPT bottom
Wetted Parts	Brass
Accuracy	2.5" (63mm): ±1.5% ANSI/ASME Grade B 4"(100mm): ±1% ANSI/ASME Grade A
Enclosure Rating	IP65

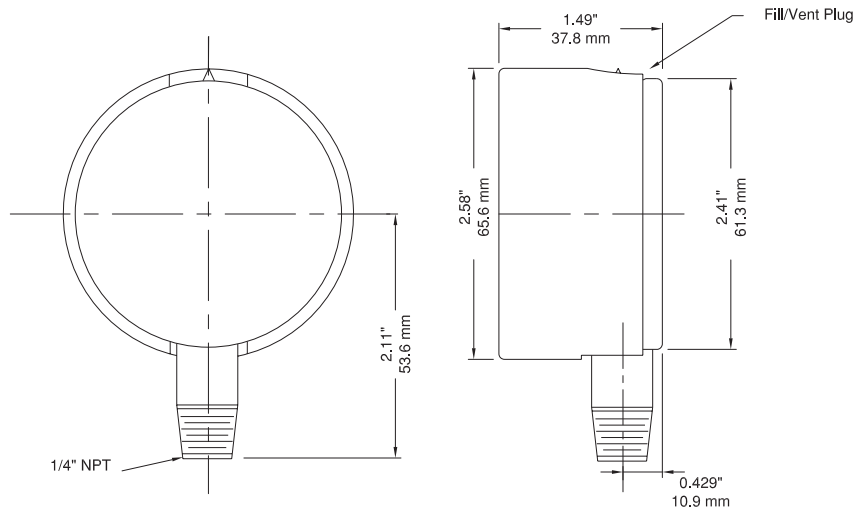
Order Codes (products in bold are normally in stock)

Dial Size	2.5" (63mm)		4" (100mm)	
	1/4" NPT Bottom	1/4" NPT Back (CB)	1/4" NPT Bottom	1/2" NPT Bottom
30" Hg Vacuum	PBC801R1	PBC900R1	PBC700R1	PBC1234R1
30"-0-15 psi	PBC790R1	PBC890R1	PBC701R1	PBC1235R1
30"-0-30 psi	PBC798R1	PBC898R1	PBC702R1	PBC1236R1
30"-0-60 psi	PBC799R1	PBC899R1	PBC703R1	PBC1237R1
30"-0-100 psi	PBC791R1	PBC891R1	PBC704R1	PBC1238R1
30"-0-160 psi	PBC792R1	PBC892R1	PBC705R1	PBC1239R1
30"-0-200 psi	PBC794R1	PBC894R1	PBC706R1	PBC1240R1
30"-0-300 psi	PBC795R1	PBC895R1	PBC707R1	PBC1241R1
0-15 psi	PBC800R1	PBC901R1	PBC708R1	PBC1242R1
0-30 psi	PBC802R1	PBC902R1	PBC709R1	PBC1243R1
0-60 psi	PBC803R1	PBC903R1	PBC710R1	PBC1244R1
0-100 psi	PBC804R1	PBC904R1	PBC711R1	PBC1245R1
0-160 psi	PBC805R1	PBC905R1	PBC712R1	PBC1246R1
0-200 psi	PBC806R1	PBC906R1	PBC713R1	PBC1247R1
0-300 psi	PBC807R1	PBC907R1	PBC714R1	PBC1248R1
0-400 psi	PBC817R1	PBC917R1	PBC715R1	PBC1249R1
0-600 psi	PBC808R1	PBC908R1	PBC716R1	PBC1250R1
0-1,000 psi	PBC809R1	PBC909R1	PBC724R1	PBC717R1
0-1,500 psi	PBC816R1	PBC914R1	PBC725R1	PBC718R1
0-2,000 psi	PBC810R1	PBC910R1	PBC726R1	PBC719R1
0-3,000 psi	PBC811R1	PBC911R1	PBC727R1	PBC720R1
0-5,000 psi	PBC812R1	PBC912R1	PBC728R1	PBC721R1
0-6,000 psi	PBC814R1	PBC915R1	PBC024R1	PBC784R1
0-10,000 psi	PBC813R1	PBC913R1	PBC729R1	PBC722R1

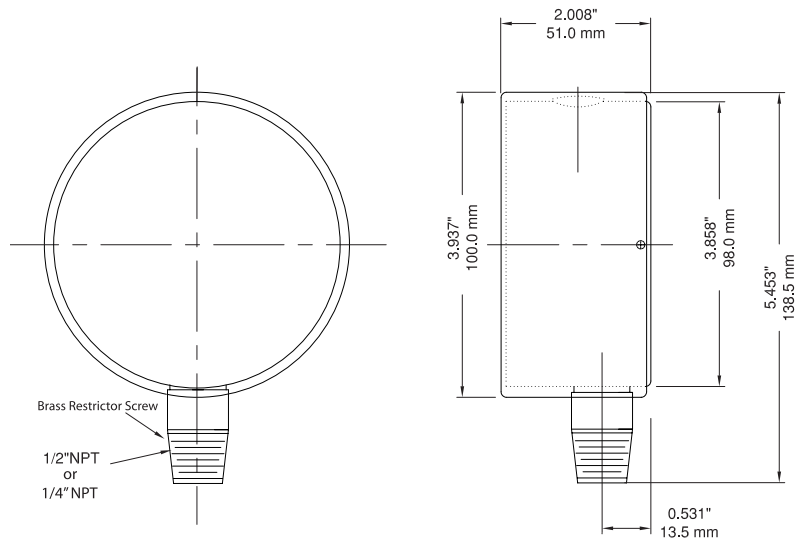
2.5" Forged Brass Case Dry Gauge, Back Connection



2.5" Forged Brass Case Dry Gauge, Bottom Connection



4" Forged Brass Case Dry Gauge, Bottom Connection



Series Number (for custom, non-standard product)

	P	B	C	-			-		-		-		-			-		
SERIES																		
DIAL SIZE																		
2.5" (63mm)					2	5												
4.0" (100mm)					4	0												
CASE MATERIALS																		
Brass								B										
WETTED PARTS																		
Brass									B									
CONFIGURATION																		
Bottom Connection, Stem Mounting										A								
Bottom Connection, Front Flange, Surface Mounting										C								
Back Connection, Stem Mounting										D								
Special										Z								
CONNECTION SIZE																		
1/8"																		
1/4"																		
3/8"																		
1/2"																		
Special																		
THREAD																		
NPT																		
BSP (G)																		
BSPT (R)																		
Special																		
PRIMARY SCALE																		
UNITS - See Page 13																		
RANGE - See Page 13																		
SECONDARY SCALE																		
UNITS - See Page 13																		
OPTIONS																		
Black Rubber Boot																		S Z
Fluorolube Filled																		S R
Glycerin Filled																		S E
Halocarbon Filled																		S Q
Oxygen Cleaning																		S L
Silicone Filled																		S D
Stainless Steel Tag Plate																		S M
Stabilizer Movement																		S 3
Test Certificate																		S O
No Options																		X X