



### Description & Features:

- Small diameter, all stainless steel gauge
- 1.5" (40mm) and 2" (50mm) dials
- Full view snap-in lens
- Back and bottom connection
- 3 year warranty

### Applications:

- Regulators, valve positioners and actuators that require a reliable and corrosion-resistant pressure gauge

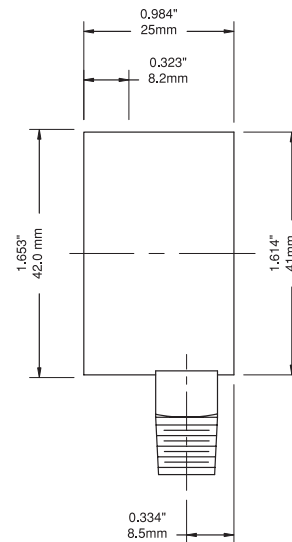
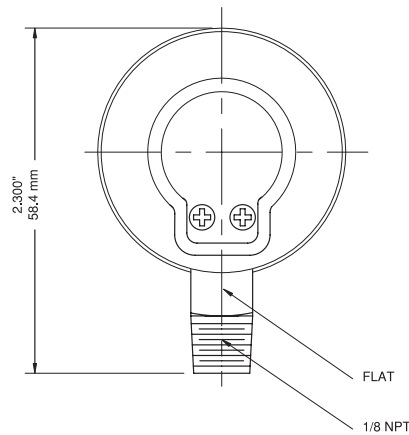
Specifications	
Dial	1.5" (40mm), 2" (50mm) white aluminum with black and red markings
Case	304 SS
Lens	Acrylic, push-in type
Socket	316 SS
Connection	1/8" NPT or 1/4" NPT standard
Bourdon Tube	316 SS
Movement	304 SS
Pointer	Aluminum, painted black
Welding	Silver alloy
Over-Pressure Limit	25% of full scale value
Working Pressure	Maximum 75% of full scale value
Ambient/Process Temperature	-40°F to 150°F (-40°C to 65°C)
Accuracy	±2.5% ANSI/ASME Grade B
Enclosure Rating	IP52

### Order Codes (products in bold are normally in stock)

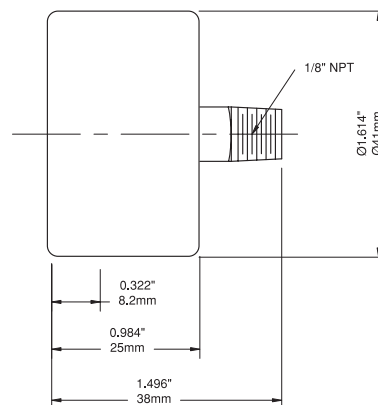
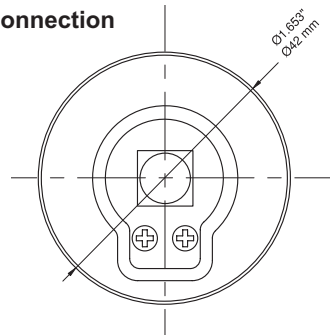
Dial Size	1.5" (40mm)		2" (50mm)			
	1/8" NPT Bottom	1/8" NPT Centre Back	1/8" NPT Centre Back	1/4" NPT Centre Back	1/8" NPT Bottom	1/4" NPT Bottom
30" Hg. vacuum/kPa	-	-	-	-	-	-
30"/0/15 psi/kPa	-	-	-	PRL026	-	PRL017
30"/0/30 psi/kPa	-	-	-	-	-	-
30"/0/60 psi/kPa	-	-	-	PRL027	-	PRL018
30"/0/100 psi/kPa	-	-	-	PRL028	-	PRL019
30"/0/160 psi/kPa	-	-	-	PRL029	-	PRL020
0 - 15 psi/kPa	-	-	-	-	-	-
0 - 30 psi/kPa	PRL001	<b>PRL005</b>	<b>PRL013</b>	PRL030	PRL009	PRL021
0 - 60 psi/kPa	PRL002	<b>PRL006</b>	<b>PRL014</b>	PRL031	PRL010	PRL022
0 - 100 psi/kPa	<b>PRL003</b>	<b>PRL007</b>	PRL015	PRL032	PRL011	PRL023
0 - 160 psi/kPa	<b>PRL004</b>	<b>PRL008</b>	PRL016	PRL033	PRL012	PRL024
0 - 200 psi/kPa	-	-	-	-	-	-
0 - 300 psi/kPa	-	-	-	-	-	-
0 - 400 psi/kPa	-	-	-	-	-	-
0 - 600 psi/kPa	-	-	-	PRL034	-	-
0 - 1,000 psi/kPa	-	-	-	-	-	-
0 - 2,000 psi/kPa	-	-	-	-	-	-
0 - 3,000 psi/kPa	-	-	-	PRL035	-	PRL025

Note: Other connection threads and pressure scales available

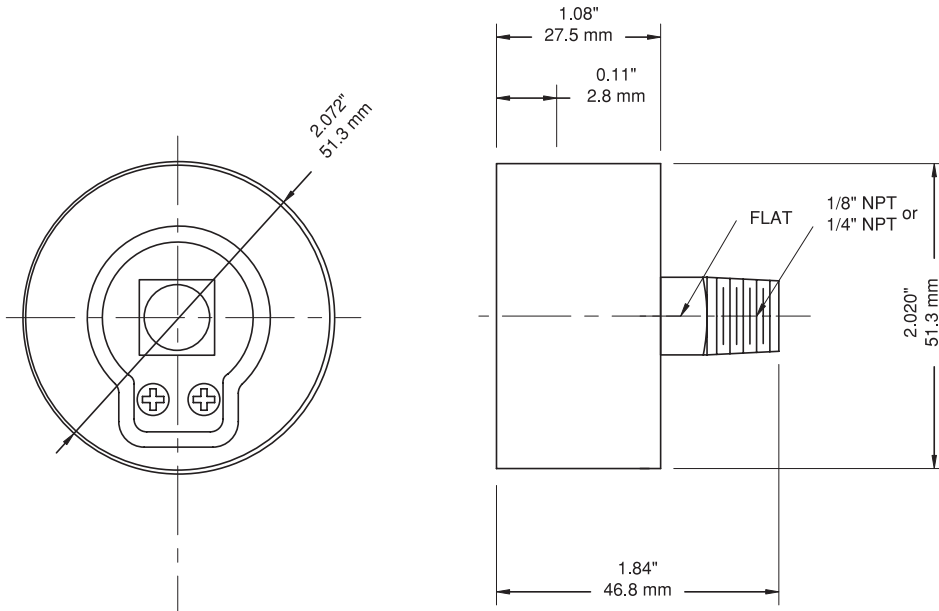
### 1.5" Bottom Connection



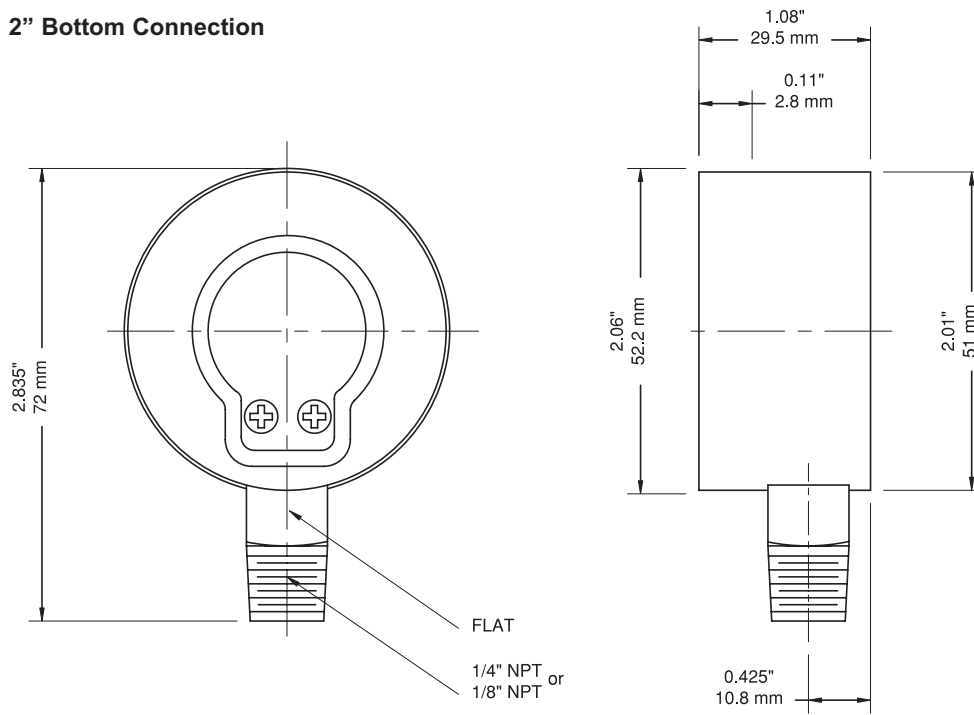
### 1.5" Back Connection



## 2" Back Connection



## 2" Bottom Connection



## Series Number (for custom, non-standard product)

	P	R	L												
<b>SERIES</b>															
<b>DIAL SIZE</b>															
1.5" (40mm)					1	5									
2.0" (50mm)					2	0									
<b>CASE MATERIALS</b>															
304SS															
316SS															
Aluminum															
Brass															
Plastic															
Steel Painted Black															
<b>WETTED PARTS</b>															
316SS															
Special															
<b>CONFIGURATION</b>															
Bottom Connection, Stem Mounting															
Bottom Connection, Back Flange, Surface Mounting															
Back Connection, Stem Mounting															
Back Connection, Wide Front Flange, (Drilled) Panel Mounting															
Special															
<b>CONNECTION SIZE</b>															
1/8"															
1/4"															
Special															
<b>THREAD</b>															
NPT															
BSP (G)															
BSPT (R)															
Special															
PRIMARY SCALE															
<b>UNITS - See Page 13</b>															
<b>RANGE - See Page 13</b>															
SECONDARY SCALE															
<b>UNITS - See Page 13</b>															
<b>OPTIONS</b>															
Black Rubber Boot															S Z
Blowout Disk															S B
Oxygen Cleaning															S L
Stainless Steel Tag Plate															S M
Test Certificate															S O
U-Clamp															S H
No Options															X X