

D70 #70 Diaphragm Seals

30" Vac to 2,500 psi (-100 to 15,850 kPa)



Process Gauge attached to a #70 Seal

Description & Features:

- Two piece construction and designed to withstand even the most severe process applications
- "Continuous use" seals - backing plate will prevent diaphragm from rupturing if pressure sensing instrument fails. Pressure will be held until instrument is replaced
- Diaphragm is separable for servicing and is available with a 1/8" NPT or 1/4" NPT flushing connection for removing any material which may clog the process connection
- Diaphragm is constructed of AISI 316L stainless steel and welded to the upper chamber of the seal for pressures 30 psi (200 kPa) and above; Viton® for ranges from 30" Hg Vacuum (-100 kPa) up to 100 psi (690 kPa)
- Viton® is highly recommended for applications less than 10 psi
- CRN registered
- 1 year warranty

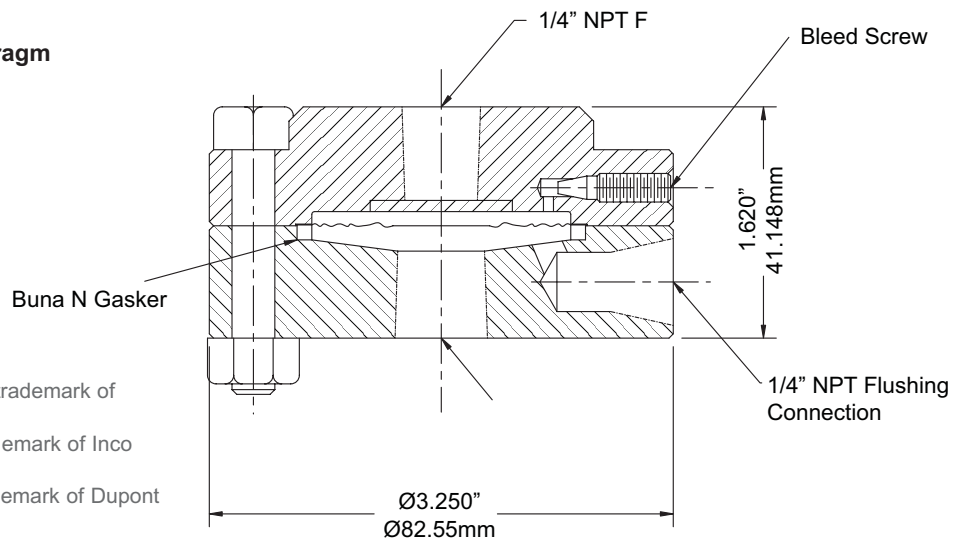
Applications:

- Where the process fluid is corrosive or viscous and would clog instrument internals/solidify within the pressure gauge, switch or transmitter

Specifications

Housing	316 SS, Monel®, Hastelloy® C
Construction	Two piece construction
Connection	Bottom: 1/4", 1/2", 3/4" and 1" NPT Top: 1/4" and 1/2" NPT
Process Temperature	-22°F to 212°F (-30°C to 100°C)
Other	Flushing connections available. Other materials such as Teflon®, PVC, Carbon steel, Alloy 20, Hastelloy® B, Titanium, Tantalum, etc. are available upon request

Stainless Steel Diaphragm



Hastelloy® is a registered trademark of Haynes International, Inc.
 Monel® is a registered trademark of Inco Alloys International
 Teflon® is a registered trademark of Dupont Corporation
 Viton® is a registered trademark of DuPont Performance Elastomers

Order Codes (products in bold are normally in stock)

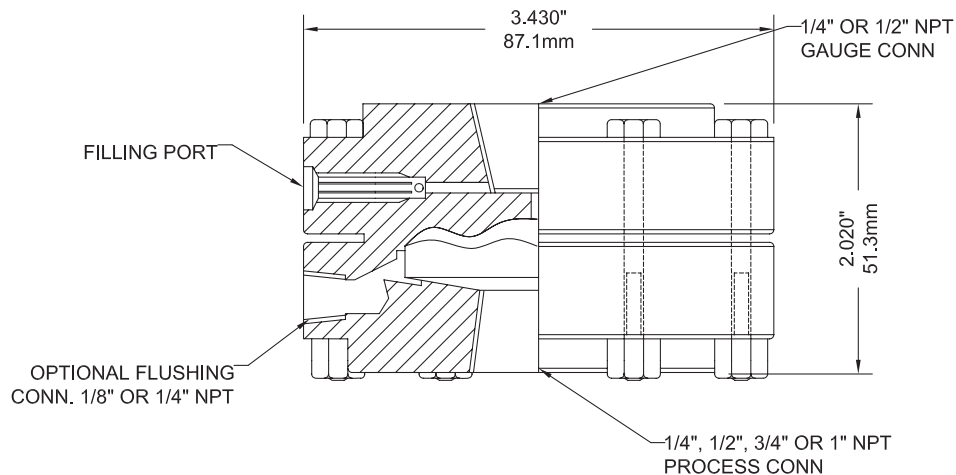
Lower Housing (Bottom)	
316 SS, 1/4" NPT conn.	D70954
316 SS, 1/2" NPT conn.	D70956
316 SS, 1/2" NPT conn. with flushing	D70957
316 SS, 3/4" NPT conn. with flushing	D70959
316 SS, 3/4" NPT conn.	D70963
316 SS, 1" NPT conn.	D70964
316 SS, 1" NPT conn. with flushing	D70965
316 SS, 1/4" NPT conn., Viton®	D70954V
316 SS, 1/2" NPT conn., Viton®	D70956V
316 SS, 1/2" NPT conn. with flushing, Viton®	D70957V
316 SS, 3/4" NPT conn. with flushing, Viton®	D70959V
316 SS, 3/4" NPT conn., Viton®	D70963V
316 SS, 1" NPT conn., Viton®	D70964V
316 SS, 1" NPT conn. with flushing, Viton®	D70965V
Monel®, 1/4" NPT conn.	D70954M
Monel®, 1/2" NPT conn.	D70956M
Monel®, 1/2" NPT conn. with flushing	D70957M
Monel®, 3/4" NPT conn. with flushing	D70959M
Monel®, 3/4" NPT conn.	D70963M
Monel®, 1" NPT conn.	D70964M
Monel®, 1" NPT conn. with flushing	D70965M
Hastelloy® C, 1/4" NPT conn.	D70954HASC
Hastelloy® C, 1/2" NPT conn.	D70956HASC
Hastelloy® C, 1/2" NPT conn. with flushing	D70957HASC
Hastelloy® C, 3/4" NPT conn. with flushing	D70959HASC
Hastelloy® C, 3/4" NPT conn.	D70963HASC
Hastelloy® C, 1" NPT conn.	D70964HASC
Hastelloy® C, 1" NPT conn. with flushing	D70965HASC

Upper Housing (Top)	
316 SS, 1/4" NPT conn., 316 SS diaphragm	D70950
316 SS, 1/4" NPT conn., Monel® diaphragm	D70950M
316 SS, 1/4" NPT conn., Hastelloy® C diaphragm	D70950HASC
316 SS, 1/4" NPT conn., Viton® diaphragm	D70951
316 SS, 1/2" NPT conn., 316 SS diaphragm	D70952
316 SS, 1/2" NPT conn., Monel® diaphragm	D70952M
316 SS, 1/2" NPT conn., Hastelloy® C diaphragm	D70952HASC
316 SS, 1/2" NPT conn., Viton® diaphragm	D70953

Option suffix for above order codes only:

- SF-D = Silicone fill (seal only)
- FL-D = Fluorolube fill (seal only)
- Teflon® Protected Diaphragm
- Other fill fluids (seal only) available upon request

Note: Both upper and lower housing must be specified
 Example: D70950 - D70956



Hastelloy® is a registered trademark of Haynes International, Inc.
 Monel® is a registered trademark of Inco Alloys International
 Teflon® is a registered trademark of Dupont Corporation
 Viton® is a registered trademark of DuPont Performance Elastomers

D70 #70 Diaphragm Seals

Series Number (for custom, non-standard product)

	D	7	0																	
SERIES																				
GAUGE CONNECTION																				
1/4" NPT female				4	N															
3/8" BSP female				3	B															
1/2" BSPT female				2	T															
M20 X 1.5 female				M	2															
PROCESS CONNECTION																				
1/4" NPT female						4	N													
3/8" BSP female						3	B													
1/2" BSPT female						2	T													
3/4"						5														
1"						1														
M20 X 1.5 female						M	2													
DIAPHRAGM MATERIALS																				
316SS									S											
316L SS									L											
Monel									M											
Hastelloy C									H											
Teflon									T											
Viton									V											
Other									Z											
LOWER HOUSING MATERIALS																				
316SS									S											
Monel									M											
Hastelloy C									H											
Others									Z											
FLUSHING CONNECTION																				
None (standard)														N						
1/4" NPT														4						
OPTIONS																				
1m SS Remote Capillary																				1
1.6m SS Remote Capillary																				6
2m SS Remote Capillary																				2
3m SS Remote Capillary																				3
4m SS Remote Capillary																				4
5m SS Remote Capillary																				5
8m SS Remote Capillary																				8
Others																				X
No Armour																				0
SS Armour																				S
Glycerine/water-filled (-10/120C)																				A
Silicone-filled (-20/200C)																				B
Silicone-filled (-90/100C)																				C
Halocarbon (-40/175C)																				D
Fluorolube-filled																				E
High Temperature Oil (-20/400C)																				F