

1. Gas Test Gauge
2. Water Test Gauge

Description & Features:

- Economical pressure gauge and valve body assembly used for pressure testing
- Bleed port and plated housing on the gas test assembly
- Swivel hose adaptor on the Water Test Gauge
- Black steel case
- Dual scale (PSI/kPa)
- ±3-2-3% accuracy
- CRN registered
- 1 year warranty

Applications:

- Residential & commercial pressure testing of gas, air and water lines

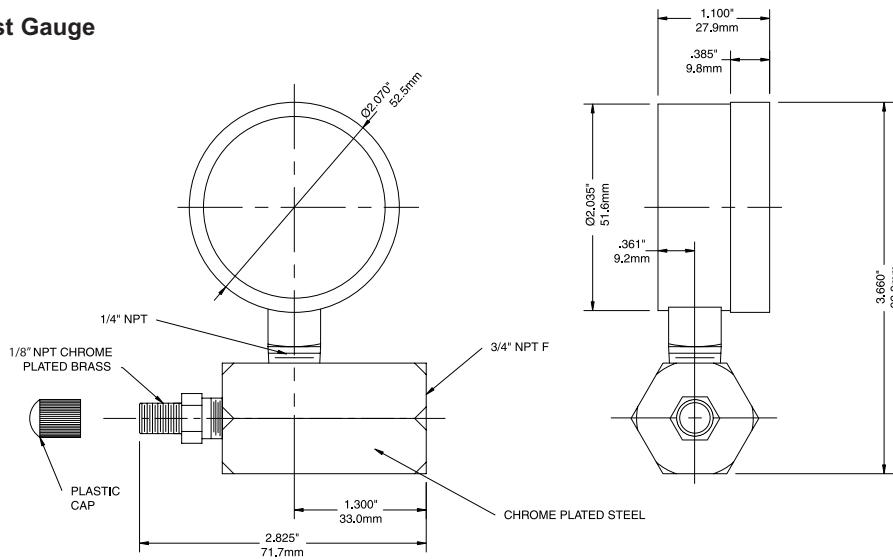
Specifications	
Dial	2" (50 mm), 2.5" (63 mm) white aluminum with black and red markings
Case	Steel painted black
Lens	Polycarbonate
Ring	Steel, painted black
Bourdon Tube	Phosphor bronze
Movement	Brass
Pointer	Steel, painted black
Connection	Gas Test Gauge: 3/4" FNPT Water Test Gauge: 3/4" female swivel hose connection
Maximum Pointer	Available on Water Test Gauge only
Welding	#50 tin solder
Ambient/Process Temperature	-40°F to 150 °F (-40°C to 65°C)
Gas Test	40°F to 150 °F (-40°C to 65°C)
Water Test	32°F to 150 °F (0°C to 65°C)
Working Pressure	Maximum 75% of full scale value
Accuracy	±3-2-3% ANSI/ASME Grade B
Enclosure Rating	IP52

PET Economy Test Gauge

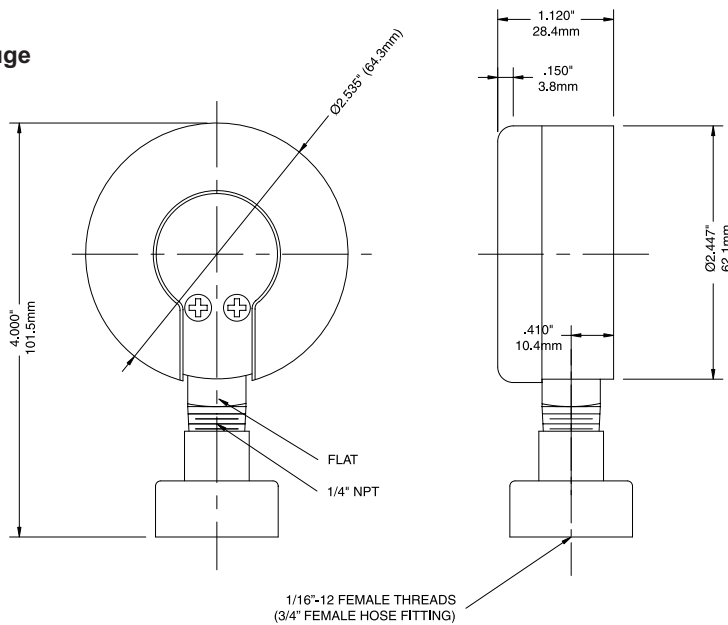
Order Codes (products in bold are normally in stock)

Product	Gas Test Gauge	Water Test Gauge	Maximum Pointer Water Test Gauge
Dial Size	2" (50mm)	2.5" (63mm)	2.5" (63mm)
Connection	Adapts to 3/4" FNPT	3/4" Female Swivel Hose Connection	3/4" Female Swivel Hose Connection
0 - 15 psi/kPa	PETG201	-	-
0 - 30 psi/kPa	PETG202	-	-
0 - 60 psi/kPa	PETG203	-	-
0 - 100 psi/kPa	PETG204	-	-
0 - 160 psi/kPa	-	PETW213	PETM213
0 - 300 psi/kPa	-	PETW217	PETM217

2" Gas Test Gauge



2.5" Water Test Gauge



Series Number (for custom, non-standard product)

	P	E	T														
SERIES																	
DIAL SIZE																	
2.0" (50mm)				2	0												
2.5" (63mm)				2	5												
CASE MATERIALS																	
304SS																	
Brass																	
Plastic																	
Steel Painted Black																	
WETTED PARTS																	
Brass																	
Special																	
CONFIGURATION																	
Bottom Connection, Stem Mounting																	
Special																	
CONNECTION SIZE																	
1/8"																	
1/4"																	
Special																	
THREAD																	
NPT																	
BSP (G)																	
BSPT (R)																	
M14 x 1.5																	
M20 x 1.5																	
Special																	
PRIMARY SCALE																	
UNITS - See Page 13																	
RANGE - See Page 13																	
SECONDARY SCALE																	
UNITS - See Page 13																	
OPTIONS																	
Black Rubber Boot																	S Z
Oxygen Cleaning																	S L
Stainless Steel Tag Plate																	S M
Test Certificate																	S O
No Options																	X X