

SINCE

1864



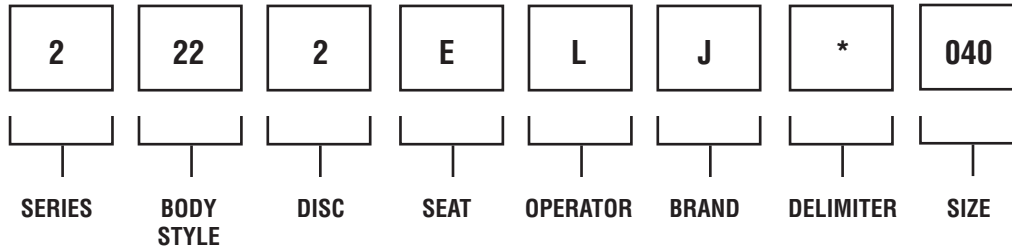
Butterfly Valves

Jenkins Valves

254 Henry Street
Brantford, Ontario N3T 5T7
Tel: 519-759-3911
Tel: 800-563-6302
Fax: 519-759-7970
www.craneenergy.com

CRANE®
Energy Flow Solutions
A Crane Co. Company

Ordering Information



SERIES	CODE
200	2
225	3
Contractor	C

BODY STYLE	CODE
Wafer	22
Lug	23

DISC	CODE
316 Stainless Steel*	1
Aluminum Bronze	2
Ductile Iron	3

SEAT	CODE
Buna-N	B
E.P.D.M.	E

OPERATOR	CODE
Lever	L
Gear	G

BRAND	CODE
Jenkins	J

SIZE	CODE
2"	020
2 1/2"	024
3"	030
4"	040
6"	060
8"	080
10"	100
12"	120
14"	140
16"	160
18"	180
20"	200
24"	240
30"	300
36"	360

Notes:

- * A 316 S.S. stem is supplied when 316 S.S. disc is ordered.
- See Bill of Materials pages in each section for standard construction materials and optional materials.



Butterfly Valves

Table of Contents

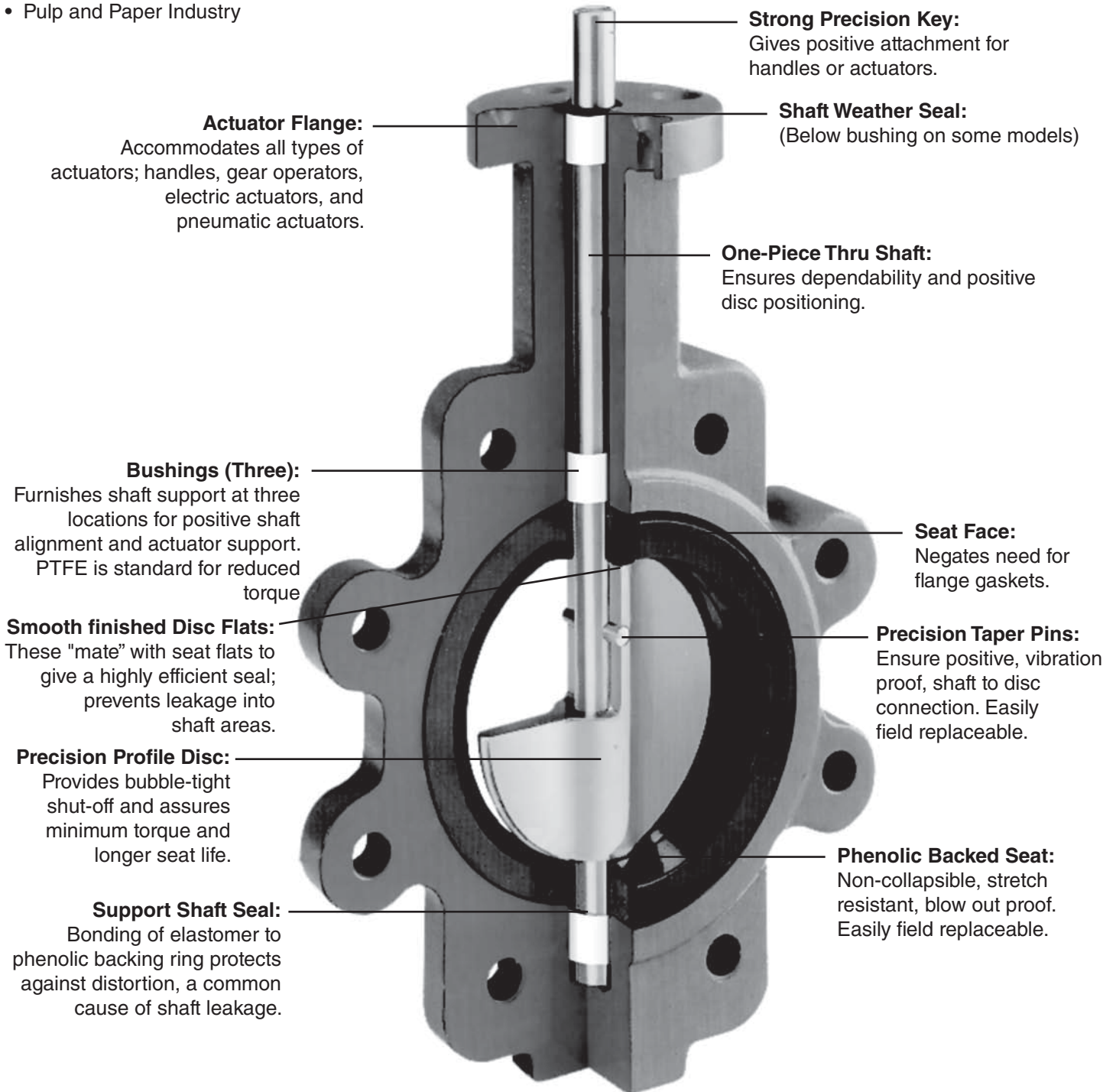
Series 200 Butterfly Valves	
Features.....	4
Valve Seating Torques	5
Seat Temperature Ratings	6
CV Valves.....	6
Dimensions.....	7
Bill of Materials	8
36" Valve	9
Series 225 Butterfly Valves	
Features.....	10
Valves Seating Torques.....	11
Seat Temperature Ratings	11
CV Valves.....	11
Dimensions.....	12
Bill of Materials	13
Series 800 Butterfly Valves	
Features.....	14
Liner Temperature Ratings.....	15
CV Valves.....	15
Dimensions.....	16
Bill of Materials	17
Contractor Butterfly Valves	
Materials of Construction	18-21
Dimensions.....	18-21
Options & Accessories	
Handles.....	22-23
Gear Operators.....	22-23
Actuators.....	22-23

Wide Range of Material Choices • Wafer or Lug

For nearly 30 years, Jenkins has manufactured resilient seated butterfly valves. Industries using our resilient seat valve products include:

- HVAC/ATC
- Chemical/Petrochemical Processing
- Food and Beverage Industry
- Power and Utilities
- Pulp and Paper Industry

Quality is apparent in the design of the Series 200 butterfly valve, which utilizes the phenolic-backed cartridge seat pioneered by Jenkins. These valves feature precision-machined parts insuring years of dependable operation. With many body/trim combinations, there is a Series 200 valve to meet your application.





Butterfly Valves

Series 200

2 through 48 inches • Wafer or Lug

Series 200 Butterfly Valves

- Available in sizes 2" to 48".
- Available in Wafer or Lug style body (2" to 30").
- Full flange style body available for 36" to 48" valves.
- Wafer body features four alignment holes.
- Pressure ratings for tight shut-off at temperatures up to the maximum limit of the seat material:
 - 2" to 12" – 200 psi, 125 psi for PTFE seat.
 - 14" to 48" –150 psi.
- Ideal for on-off or throttling services.
- Available with handles (2" to 12"), manual gear operators (2" to 48"), and electric or pneumatic actuators (2" to 48").
- Operator can be mounted parallel or perpendicular to pipe-line.
- Designed to comply with MSS SP-67 and API 609. For exact valve measurements, see dimension table.
- Compatible with ASME 125/150 flanges.
- Valves 2" to 20" meet the intent and have passed the AWWA C-504-87 Section 5 proof of design tests.
- Dead-end capability to 200 psi (2" to 12") and 150 psi (14" to 24") is an available modification for the disc.

Valve Seating Torques (In-Lbs.)

Valve Size	Standard Disc Differential Pressure				Undercut Diff. Press.
	50 PSI ΔP Bushing	100 PSI ΔP Bushing	150 PSI ΔP Bushing	200 PSI ΔP Bushing	75 PSI ΔP Bushing
2"	100	106	111	117	N/A
2½"	150	163	176	189	N/A
3"	207	220	232	244	N/A
4"	290	323	357	390	N/A
5"	423	481	540	598	N/A
6"	599	691	783	875	N/A
8"	1,060	1,183	1,307	1,430	819
10"	1,671	1,872	2,074	2,275	909
12"	2,568	2,795	3,023	3,250	1,445
14"	2,640	3,070	3,500	N/A	2,300
16"	4,260	4,880	5,500	N/A	3,600
18"	6,287	7,243	8,200	N/A	5,500
20"	8,360	9,180	10,000	N/A	6,700
24"	15,427	16,813	18,200	N/A	12,100
30"	27,313	29,407	31,500	N/A	21,100

All torque values shown on chart are for non-lubricating media (like water) & on-off service.
 For dry services use 160% of the published data.
 For lubricating services use 85% of the published data.
 For sizing of actuators use 125% of published data.

Flow and Temperature Data

Seat Temperature Ratings

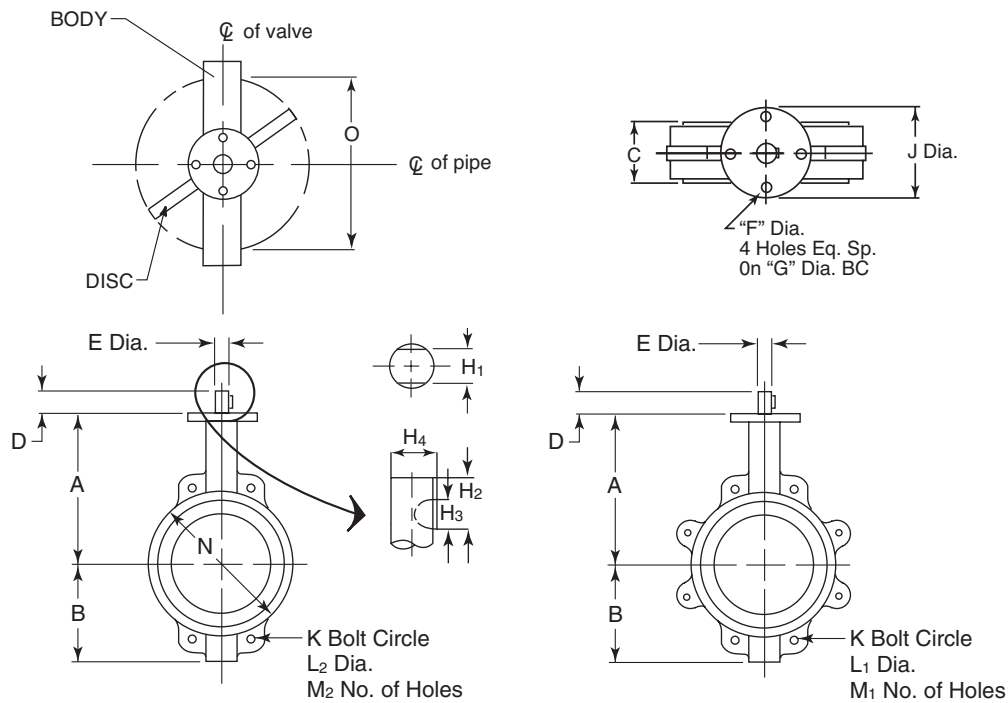
Material	Temperature Ratings °F
Buna-N	+10 to 180
Abrasive Resistant Buna-N	+10 to 180
Neoprene	+20 to 200
EPDM (2"-16")	-30 to 275
EPDM, Food Grade (2"-12")	-30 to 225
Hypalon	0 to 275
Viton®	+10 to 400
PTFE over Buna-N (125 psi, 2"-12")	+40 to 250
PTFE over Buna-N (75 psi, 2"-12")	+40 to 275

Seat materials are capable of withstanding lower temperatures without damage. However, the elastomer becomes hard and torques increase. Some flow media may further restrict the published temperature limits and/or significantly reduce seat life.

C_v Values – Valve Sizing Coefficients (US-GPM @1ΔP)

Size	10°	20°	30°	40°	50°	60°	70°	80°	90°
2"	0.06	3	7	15	27	44	70	105	115
2½"	0.10	6	12	25	45	75	119	178	196
3"	0.20	9	18	39	70	116	183	275	302
4"	0.30	17	36	78	139	230	364	546	600
5"	0.50	29	61	133	237	392	620	930	1022
6"	0.80	45	95	205	366	605	958	1437	1579
8"	2	89	188	408	727	1202	1903	2854	3136
10"	3	151	320	694	1237	2047	3240	4859	5340
12"	4	234	495	1072	1911	3162	5005	7507	8250
14"	6	338	715	1549	2761	4568	7230	10844	11917
16"	8	464	983	2130	3797	6282	9942	14913	16388
18"	11	615	1302	2822	5028	8320	13168	19752	21705
20"	14	791	1674	3628	6465	10698	16931	25396	27908
24"	22	1222	2587	5605	9989	16528	26157	39236	43116
30"	37	2080	4406	9546	17010	28147	44545	66818	73426

Dimensional Data

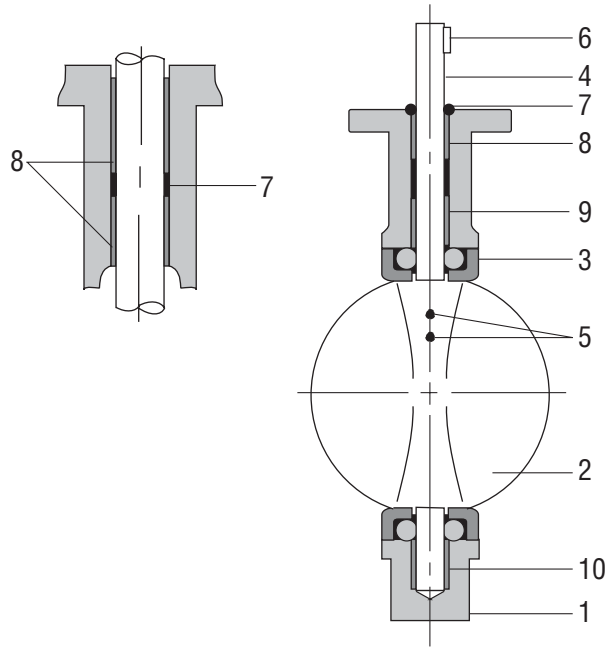


Dimensions

Valve Size	A	B	C	D	E	F	G	H ₁	H ₂	H ₃	H ₄	J	K	300# K	L ₁ *	300# L ₁ *	L ₂ *	M ₁ *	300# M ₁ *	M ₂ *	N	WAFER	300# LUG	LUG	O
2" / 50 mm	6 3/8 / 161.93	3 1/4 / 82.55	1 3/4 / 44.45	1 1/4 / 31.75	1/2 / 12.70	17/64 / 6.75	2 1/4 / 57.15	1/8	5/8	1/2	9/16	3 1/4 / 82.55	4 3/4 / 120.65	5 / 127.00	5/8-11	5/8-11	11/16 / 17.46	4	8	4	4	6 lbs. / 2.72 kg	9 lbs. / 4.09 kg	9 lbs. / 4.09 kg	1.26 / 32.0
2 1/2" / 65 mm	6 7/8 / 174.63	3 3/4 / 95.25	1 7/8 / 47.63	1 1/4 / 31.75	1/2 / 12.70	17/64 / 6.75	2 1/4 / 57.15	1/8	5/8	1/2	9/16	3 1/4 / 82.55	5 1/2 / 139.70	5 7/8 / 149.23	5/8-11	3/4-10	11/16 / 17.46	4	8	4	4 3/4	7 lbs. / 3.18 kg	13 lbs. / 5.90 kg	13 lbs. / 5.90 kg	1.83 / 46.5
3" / 75 mm	7 1/8 / 180.98	4 / 101.60	1 7/8 / 47.63	1 1/4 / 31.75	1/2 / 12.70	17/64 / 6.75	2 1/4 / 57.15	1/8	5/8	1/2	9/16	3 1/4 / 82.55	6 / 152.40	6 5/8 / 168.28	5/8-11	3/4-10	11/16 / 17.46	4	8	4	5 1/8	10 lbs. / 4.54 kg	14 lbs. / 6.36 kg	14 lbs. / 6.36 kg	2.54 / 64.5
4" / 100 mm	7 7/8 / 200.03	4 7/8 / 123.83	2 1/8 / 53.98	1 1/4 / 31.75	5/8 / 15.88	13/32 / 10.32	2 3/4 / 69.85	3/16	7/8	3/4	3/4	3 7/8 / 98.43	7 1/2 / 190.50	7 7/8 / 200.03	5/8-11	3/4-10	1 1/16 / 17.46	8	8	4	6 3/4	13 lbs. / 5.90 kg	19 lbs. / 8.63 kg	24 lbs. / 10.90 kg	3.54 / 89.9
5" / 125 mm	8 3/8 / 212.73	5 3/8 / 136.53	2 1/4 / 57.15	1 1/4 / 31.75	3/4 / 19.05	13/32 / 10.32	2 3/4 / 69.85	3/16	1	3/4	13/16	3 7/8 / 98.43	8 1/2 / 215.90	9 3/4 / 234.95	3/4-10	3/4-10	13/16 / 20.64	8	8	4	7 3/4	18 lbs. / 8.17 kg	22 lbs. / 9.99 kg	29 lbs. / 13.17 kg	4.36 / 110.7
6" / 150 mm	8 7/8 / 225.43	5 7/8 / 149.23	2 1/4 / 57.15	1 1/4 / 31.75	3/4 / 19.05	13/32 / 10.32	2 3/4 / 69.85	3/16	1	3/4	13/16	3 7/8 / 98.43	9 1/2 / 241.30	10 5/8 / 269.88	3/4-10	3/4-10	13/16 / 20.64	8	12	4	8 5/8	21 lbs. / 9.53 kg	31 lbs. / 14.07 kg	38 lbs. / 17.25 kg	5.74 / 145.8
8" / 200 mm	10 1/4 / 260.35	7 3/4 / 196.85	2 1/2 / 63.50	1 3/4 / 44.45	7/8 / 22.23	9/16 / 14.29	3 1/2 / 88.90	3/16	1	3/4	1	4 3/4 / 120.65	11 3/4 / 298.45	13 / 330.20	3/4-10	7/8-9	13/16 / 20.64	8	12	4	10 9/15	34 lbs. / 15.44 kg	49 lbs. / 22.25 kg	67 lbs. / 30.42 kg	7.63 / 193.8
10" / 250 mm	11 1/2 / 292.10	8 3/4 / 209.55	2 3/4 / 69.85	1 3/4 / 44.45	1 1/8 / 28.58	9/16 / 14.29	3 1/2 / 88.90	1/4	1 1/8	1	1 1/4	5 / 127.00	14 1/4 / 361.95	15 1/4 / 387.35	7/8-9	1-8	15/16 / 23.81	12	16	4	13 1/18	45 lbs. / 20.43 kg	72 lbs. / 32.69 kg	100 lbs. / 45.40 kg	9.54 / 242.3
12" / 300 mm	13 1/4 / 336.55	9 3/4 / 247.65	3 1/8 / 79.38	1 3/4 / 44.45	1 1/4 / 31.75	9/16 / 14.29	4 1/4 / 107.95	1/4	1 1/8	1	1 3/8	6 / 152.40	17 / 431.80	17 3/4 / 431.80	7/8-9	1 1/8-7	15/16 / 23.81	12	16	4	16 1/8	49.58 lbs. / 22.47 kg	74 lbs. / 33.60 kg	105 lbs. / 47.67 kg	11.5 / 292.1
14" / 350 mm	14 1/2 / 368.30	11 / 279.40	3 1/8 / 79.38	1 3/4 / 44.45	1 1/4 / 31.75	9/16 / 14.29	4 1/4 / 107.95	1/4	1 1/8	1	1 3/8	5 1/2 / 139.70	18 3/4 / 476.25	-	1-8	-	-	12	-	-	17 1/8	109 lbs. / 49.49 kg	178 lbs. / 80.81 kg	-	12.81 / 325.4
16" / 400 mm	15 3/4 / 400.05	12 / 304.80	3 1/2 / 88.90	2 / 50.80	1 5/16 / 33.34	13/16 / 20.64	6 1/4 / 158.75	5/16	1 7/8	1 3/4	1 7/16	8 1/8 / 206.38	21 1/4 / 539.75	-	1-8	-	-	16	-	-	20	135 lbs. / 61.29 kg	224 lbs. / 101.70 kg	-	15 / 381.0
18" / 450 mm	16 5/8 / 422.28	15 / 381.00	4 1/4 / 107.95	2 / 50.80	1 5/8 / 41.28	13/16 / 20.64	6 1/4 / 158.75	3/8	1 5/8	1 1/2	1 5/8	8 / 203.20	22 3/4 / 577.85	-	1 1/8-7	-	-	16	-	-	21 3/8	190 lbs. / 86.27 kg	265 lbs. / 120.31 kg	-	16.87 / 428.5
20" / 500 mm	18 7/8 / 479.43	15 3/4 / 387.35	5 1/16 / 128.95	2 3/4 / 63.50	1 5/8 / 41.28	13/16 / 20.64	6 1/4 / 158.75	3/8	1 13/16	1 1/2	1 3/4	8 / 203.20	25 / 635.00	-	1 1/8-7	-	-	20	-	-	23 5/16	316 lbs. / 143.47 kg	455 lbs. / 206.57 kg	-	18.69 / 474.7
24" / 600 mm	22 1/8 / 561.98	18 / 457.20	6 1/8 / 155.58	2 3/4 / 69.85	3 / 76.20	7/8 / 22.23	8 1/2 / 215.90	1/2	2 1/2	2 1/4	2 1/4	11 1/4 / 285.75	29 1/2 / 749.30	-	1 1/4-7	-	-	20	-	-	27 7/8	506 lbs. / 229.74 kg	702 lbs. / 318.71 kg	-	22.57 / 573.3

*L₁ and *M₁ refer to Lug style valves, L₂ and M₂ refer to Wafer style. "C" Dimension is listed with elastomer in the relaxed condition. Approximately 1/8" total compression is required for proper sealing with pipe flanges. Valves are designed for installation between ASME B16.1 Class 125 (Iron) and B16.5 Class 150 (Steel) flanges. Gaskets are not needed, and should not be used, since the seat face seals against the mating flange. If the valve is to be installed in plastic or fiberglass flanges, flange rings, or Van Stone style flanges, consult your Jenkins agent or the factory for additional information. "O" dimension is the disc clearance dimension. Jenkins recommends that a blind flange be used on end of line service applications.

Materials of Construction



Top bushing detail for 8" and larger valves

Bill of Materials 2"– 30"

Item	Description	Materials	Optional Materials
1	Body	Cast Iron	Ductile Iron
2	Disc	Ductile Iron	Aluminum Bronze, SS, Monel
3*	Seat	Buna-N or EPDM	Neoprene, Hypalon, Viton, PTFE
4	Shaft	416 Stainless Steel	316 Stainless Steel, Monel
5*	Taper Pin	316 Stainless Steel	Monel
6	Key	Carbon Steel	No option available
7*	O-Ring	Buna-N	No option available
8	Bushing	PTFE	Luberized Bronze
9	Bushing	PTFE	Luberized Bronze
10	Bushing	PTFE	Luberized Bronze

¹ENP plated for 2" - 12" valves.

*Recommended spare parts.

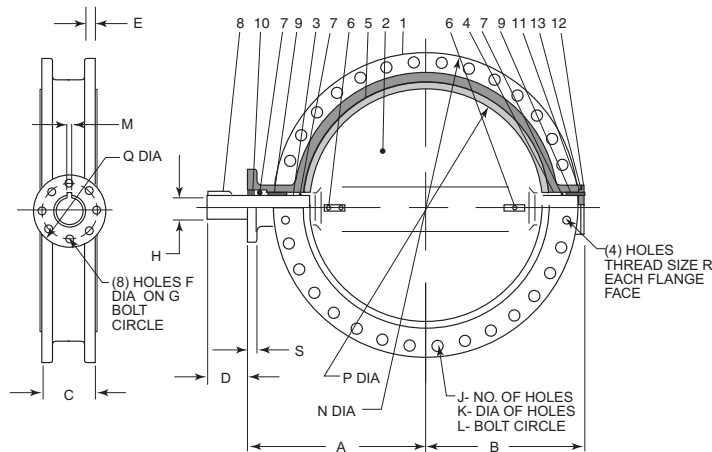
Technical Data: 36 through 48 Inches

Dimensions

	36"		42"		48"	
	inches	mm	inches	mm	inches	mm
A	26 7/8	682.63	11 3/4	806.45	37	940.70
B	24 3/4	628.65	28 1/4	717.55	34	864.00
C	8 1/8	206.38	10	254.00	10.88	276.40
D	5 5/8	142.88	6 1/2	165.10	5.90	150.00
E	1 5/8	41.28	2	50.80	2.76	70.00
F	1 3/16	20.64	13/16	20.64	0.87	22.00
G	8 1/2	215.90	12 1/2	317.50	11.73	298
H	4	101.60	4 1/2	114.30	4.13	105.00
J	28	812.80	36	1045.03	44	1277.26
K	1 5/8	41.28	1 5/8	41.28	1.62	41.30
L	42 3/4	1,058.85	49 1/2	1257.75	56	1422.40
M	1" Sq.	25.4 Sq.	1" Sq.	25.4 Sq.	1.1 Sq.	28 Sq.
N	46	1,168.40	53	1346.58	59.49	1511
P	35 3/4	908.05	41 1/4	1047.75	45.67	1160
Q	10 7/8	276.23	18 3/4	476.25	13.78	350
R	1 1/2-6	-	1/2-6	-	1/2-6	-
S	1 1/4	31.75	1 1/4	31.75	-	-

Weights

Size		Wafer	Lug
2"	lbs.	6	7
	kg.	2.72	3.18
2 1/2"	lbs.	7	8
	kg.	3.18	3.63
3"	lbs.	10	14
	kg.	4.54	6.35
4"	lbs.	13	26
	kg.	5.90	11.79
5"	lbs.	18	28
	kg.	8.16	12.70
6"	lbs.	20	31
	kg.	9.07	14.06
8"	lbs.	32	49
	kg.	14.51	22.23
10"	lbs.	42	72
	kg.	19.05	32.66
12"	lbs.	70	105
	kg.	31.75	47.63
14"	lbs.	95	155
	kg.	43.09	70.31
16"	lbs.	117	195
	kg.	53.07	88.45
18"	lbs.	165	230
	kg.	74.84	104.33
20"	lbs.	275	396
	kg.	124.74	179.62
24"	lbs.	440	610
	kg.	199.58	276.70
30"	lbs.	740	1050
	kg.	335.66	476.27
36"	lbs.	1660	-
	kg.	754	-
42"	lbs.	-	-
	kg.	-	-



C_v Valves - Valve Sizing Coefficients (US-1@ΔP)

Size	10°	20°	30°	40°	50°	60°	70°	80°	90°
36"	260	3050	6730	12740	20220	32500	52500	79600	87500
42"	350	4095	9040	17108	27150	43640	70500	106890	117500

Valve Seating Torques (In-Lbs)

Valve Size	Standard Disc Differential Pressure			Undercut Diff. Press. 75 PSI
	50 PSI	100 PSI	150 PSI	
36"	54,667	57,035	59,400	39,600
42"	82,460	86,034	89,600	60,000
48"	Consult factory			

Bill of Materials 36"***

Item	Description	Materials	Optional Materials
1	Body	Ductile iron	No option available
2	Disc	Ductile Iron	Aluminum Bronze, 316 Stainless Steel, Monel
3	Upper Shaft	416 Stainless Steel	316 Stainless Steel, Monel
4	Lower Shaft	416 Stainless Steel	316 Stainless Steel, Monel
5	Seat	Buna-N or EPDM	Viton, Hypalon
6	Taper Pin	316 Stainless Steel	316 Stainless Steel, Monel
7*	O-Ring	Buna-N	No option available
8	Key	Carbon Steel	No option available
9	Bushing	PTFE	No option available
10	Bushing	Luberized Bronze	No option available
11	Thrust Washer	Luberized Bronze	No option available
12	End Plate	Ductile	No option available
13*	O-Ring	Buna-N	No option available

*Recommended spare parts.

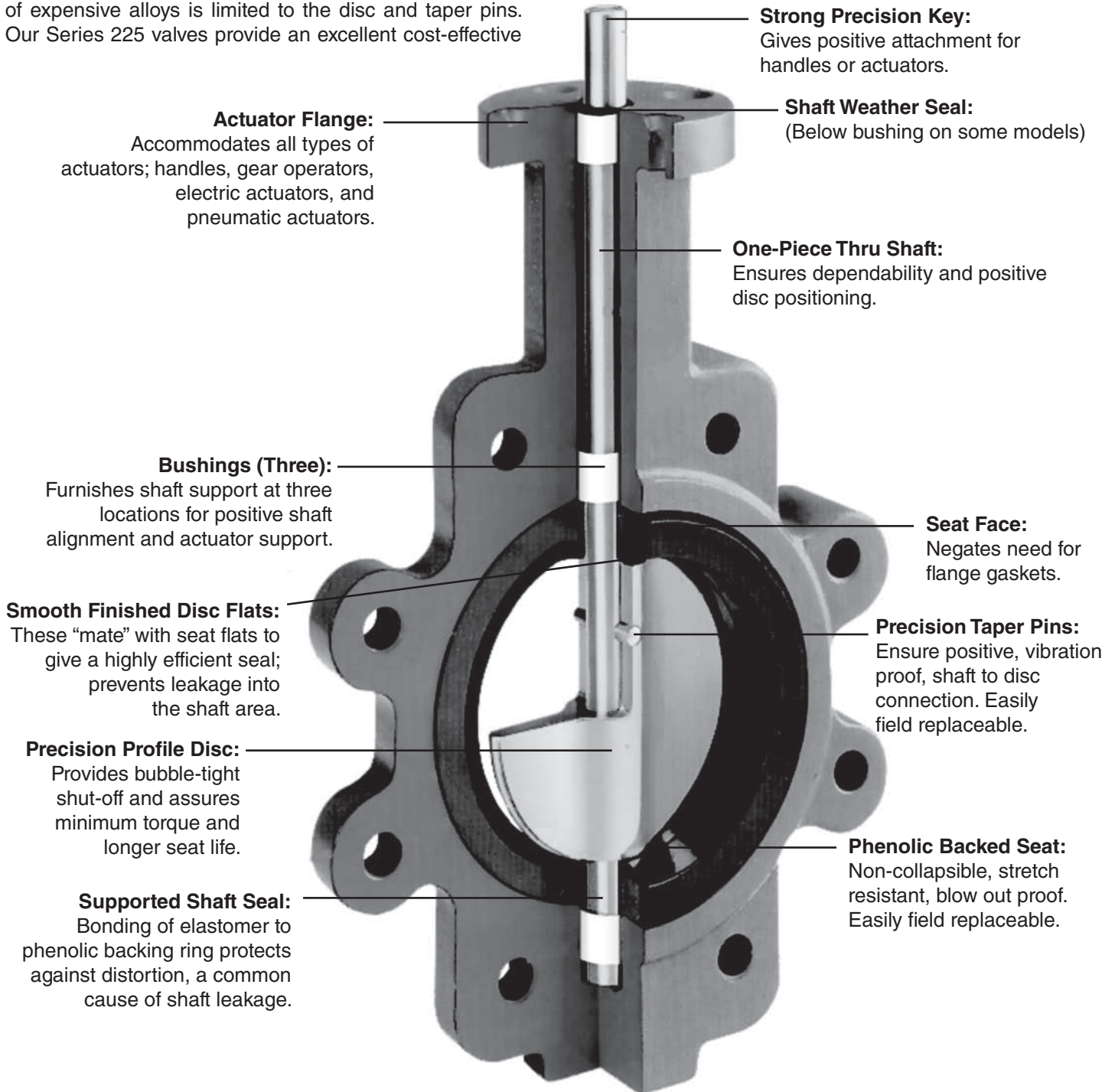
**Consult factory for 42" & 48" technical data.

Designed for High Pressure Applications

The Series 225 utilizes the same proven design features as our Series 200, but is rated to 285 psi. These design features include a phenolic-backed cartridge seat, precision profile disc, one-piece shaft, and three shaft support bearings. Series 225 heavy-duty butterfly valves are designed for the severe operating conditions and high pressures encountered in many piping systems today. With the fully-line body isolated from the flow stream, the use of expensive alloys is limited to the disc and taper pins. Our Series 225 valves provide an excellent cost-effective

alternative for ASME Class 150 valves used in the following industries:

- HVAC/TAC
- Food and Beverage Industry
- Power and Utilities
- Pulp and Paper Industry



Actuator Flange:

Accommodates all types of actuators; handles, gear operators, electric actuators, and pneumatic actuators.

Strong Precision Key:

Gives positive attachment for handles or actuators.

Shaft Weather Seal:

(Below bushing on some models)

One-Piece Thru Shaft:

Ensures dependability and positive disc positioning.

Bushings (Three):

Furnishes shaft support at three locations for positive shaft alignment and actuator support.

Seat Face:

Negates need for flange gaskets.

Smooth Finished Disc Flats:

These "mate" with seat flats to give a highly efficient seal; prevents leakage into the shaft area.

Precision Taper Pins:

Ensure positive, vibration proof, shaft to disc connection. Easily field replaceable.

Precision Profile Disc:

Provides bubble-tight shut-off and assures minimum torque and longer seat life.

Phenolic Backed Seat:

Non-collapsible, stretch resistant, blow out proof. Easily field replaceable.

Supported Shaft Seal:

Bonding of elastomer to phenolic backing ring protects against distortion, a common cause of shaft leakage.



Torque, Flow and Temperature Data

- Available in sizes 2" to 24".
- Pressure Rating: 285 psi at 100°F. Pressure/Temperature rating above 100°F corresponds to ASME B16.5 Class 150 for steel flanges.
- Available in Wafer or Lug style body.
- Wafer body features four alignment holes.
- Available in ASME Class 300 Lug Body bolt pattern (2" to 12").
- Ideal for on-off or throttling services.
- Available with handles (2" to 6"), manual gear operators, electric actuators and pneumatic actuators (2" to 24").
- Compatible with ASME B16.1 Class 125 (Iron) and ASME B16.5 Class 150/300 (Steel) flanges.
- Dead-end capability to 200 psi (2" to 12") and 150 psi (14" to 24") is an available option.

Valve Seating Torques (In-Lbs.)

Valve Size	Standard Disc Differential Pressure				
	50 PSI	100 PSI	150 PSI	200 PSI	285 PSI
2"	139	148	156	164	178
2 1/2"	195	207	218	230	250
3"	264	278	293	307	331
4"	371	401	431	461	512
5"	579	627	676	725	808
6"	875	946	1016	1087	1206
8"	1476	1559	1642	1726	1867
10"	2451	2613	2775	2937	3213
12"	3900	4111	4323	4534	4893
14"	5189	5467	5744	6022	6494
16"	10,985	11,569	12,154	12,738	13,732
18"	13,946	14,688	15,431	16,173	17,434
20"	14,695	15,478	16,260	17,043	18,373
24"	29,738	31,321	32,903	34,486	37,176

Seat Temperature Ratings

Material	Temperature Rating °F
Buna-N	+10 to 180
EPDM (2"-16")	-30 to 275
EPDM (18"-24")	-30 to 275
Abrasive Resistant Buna-N	+10 to 180
Neoprene	+20 to 200
Hypalon	0 to 275
Viton	+10 to 275
High Temperature Viton	+10 to 400

Seat materials are capable of withstanding lower temperatures without damage. However, the elastomer becomes hard and torques increase. Some flow media may further restrict the published temperature limits and/or significantly reduce seat life.

All torque values shown on chart are for "wet" (water and other non-lubricating media) on-off service. For "dry" service (non-lubricating, dry gas media), multiply values by 1.15. For "lubed" service (clean, non-abrasive lubricating media), multiply values by 0.85. For sizing valves with actuators, use 285PSI Torque valves and multiply by 1.25.

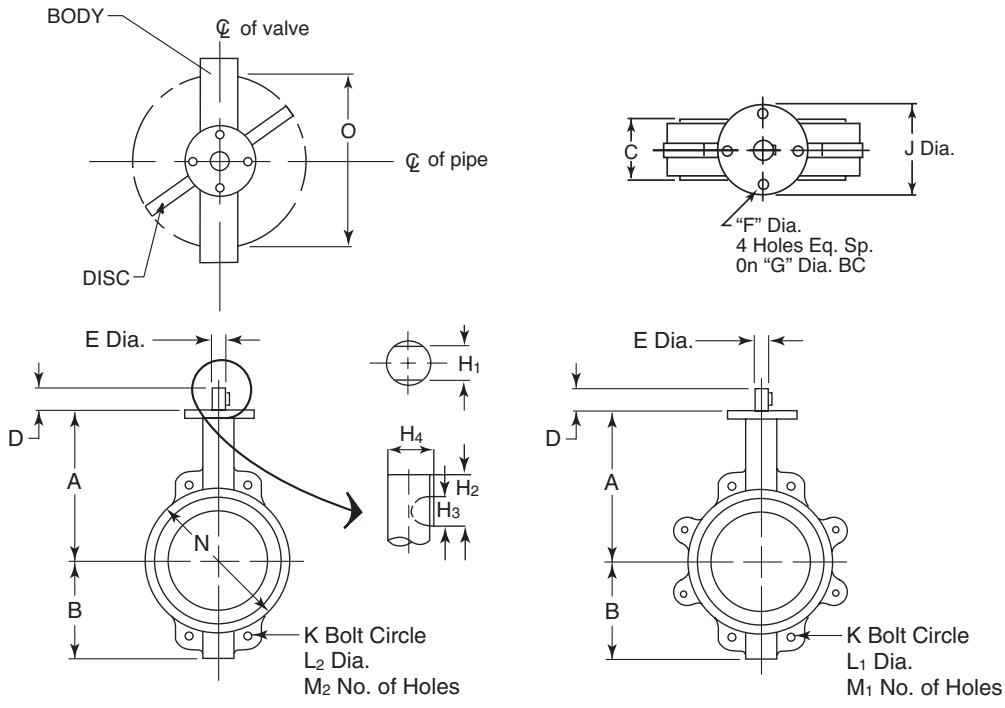
C_v Values – Valve Sizing Coefficients (US-GPMTM 1ΔP)

Size	10°	20°	30°	40°	50°	60°	70°	80°	90°
2"	0.06	3	7	15	27	44	70	105	115
2 1/2"	0.10	6	12	25	45	75	119	178	196
3"	0.20	9	18	39	70	116	183	275	302
4"	0.30	17	36	78	139	230	364	546	600
5"	0.50	29	61	133	237	392	620	930	1022
6"	0.80	34	94	153	257	422	706	1154	1320
8"	2	56	154	251	422	693	1158	1892	2165
10"	3	87	238	385	654	1073	1794	2931	3353
12"	4	153	417	681	1145	1879	3142	5132	5827
14"	6	183	500	816	1372	2252	3765	6150	7037
16"	8	271	740	1208	2031	3333	5573	9104	10,416
18"	11	318	867	1417	2382	3909	6535	10,676	12,215
20"	14	415	1133	1851	3112	5107	8538	13,948	15,959
24"	22	543	1482	2421	4069	6678	11,165	18,240	20,869

¹ENP plated for 2" - 12" valves.

*Recommended spare parts.

Dimensional Data

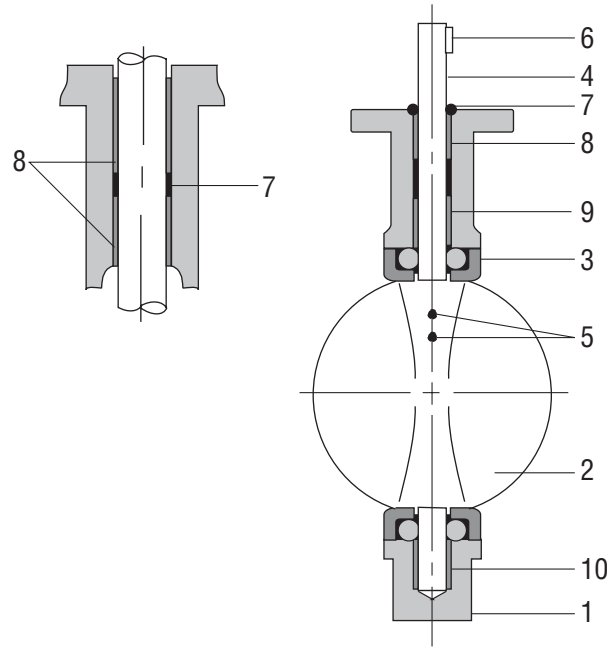


Dimensions

Valve Size	A	B	C	D	E	F	G	H ₁	H ₂	H ₃	H ₄	J	K	300# K	L ₁ *	300# L ₁ *	L ₂ *	M ₁ *	M ₁ *	M ₂ *	N	WAFER	300# LUG	LUG	O
2" 50	in. 6 3/8	3 1/4	1 3/4	1 1/4	1/2	17/64	2 1/4	1/8	5/8	1/2	9/16	3 1/4	4 3/4	5	5/8-11	5/8-11	11/16	4	8	4	4	6 lbs.	9 lbs.	9 lbs.	1.26
2 1/2" 65	in. 6 7/8	3 3/4	1 7/8	1 1/4	1/2	17/64	2 1/4	1/8	5/8	1/2	9/16	3 1/4	5 1/2	5 7/8	5/8-11	3/4-10	11/16	4	8	4	4 3/4	7 lbs.	13 lbs.	13 lbs.	1.83
3" 75	in. 7 1/8	4	1 7/8	1 1/4	1/2	17/64	2 1/4	1/8	5/8	1/2	9/16	3 1/4	6	6 5/8	5/8-11	3/4-10	11/16	4	8	4	5 1/8	10 lbs.	14 lbs.	14 lbs.	2.54
4" 100	in. 7 7/8	4 7/8	2 1/8	1 1/4	5/8	13/32	2 3/4	3/16	7/8	3/4	3/4	3 7/8	7 1/2	7 7/8	5/8-11	3/4-10	11/16	8	8	4	6 3/4	13 lbs.	19 lbs.	24 lbs.	3.54
5" 125	in. 8 3/8	5 3/8	2 1/4	1 1/4	3/4	13/32	2 3/4	3/16	1	3/4	13/16	3 7/8	8 1/2	9 1/4	3/4-10	3/4-10	13/16	8	8	4	7 3/4	18 lbs.	22 lbs.	29 lbs.	4.36
6" 150	in. 8 7/8	5 7/8	2 1/4	1 1/4	3/4	13/32	2 3/4	3/16	1	3/4	13/16	3 7/8	9 1/2	10 5/8	3/4-10	3/4-10	13/16	8	12	4	8 5/8	21 lbs.	31 lbs.	38 lbs.	5.74
8" 200	in. 10 1/4	7 3/4	2 1/2	1 3/4	7/8	9/16	3 1/2	3/16	1	3/4	1	4 3/4	11 3/4	13	3/4-10	7/8-9	13/16	8	12	4	10 9/15	34 lbs.	49 lbs.	67 lbs.	7.63
8" 200	mm 260.35	196.85	63.50	44.45	22.23	14.29	88.90					120.65	298.45	330.20		20.64					268.29	15.44 kg	22.25 kg	30.42 kg	193.8
10" 250	in. 11 1/2	8 3/4	2 3/4	1 3/4	1 1/8	9/16	3 1/2	1/4	1 3/8	1	1 1/4	5	14 1/4	15 1/4	7/8-9	1-8	15/16	12	16	4	13 1/18	45 lbs.	72 lbs.	100 lbs.	9.54
10" 250	mm 292.10	209.55	69.85	44.45	28.58	14.29	88.90					127.00	361.95	387.35		23.81					331.79	20.43 kg	32.69kg	45.40 kg	242.3
12" 300	in. 13 1/4	9 3/4	3 1/8	1 3/4	1 1/4	9/16	4 1/4	1/4	1 3/8	1	1 3/8	6	17	17 3/4	7/8-9	1 1/8-7	15/16	12	16	4	16 1/8	74 lbs.	105 lbs.	144 lbs.	11.5
12" 300	mm 336.55	247.65	79.38	44.45	31.75	14.29	107.95					152.40	431.80	431.80		23.81					409.58	33.60 kg	47.67 kg	65.38 kg	292.1
14" 350	in. 14 1/2	11	3 1/8	1 3/4	1 1/4	9/16	4 1/4	1/4	1 3/8	1	1 3/8	5 1/2	18 3/4	-	1-8	-	-	12	-	-	17 1/8	109 lbs.	178 lbs.	-	12.81
14" 350	mm 368.30	279.40	79.38	44.45	31.75	14.29	107.95					139.70	476.25	-	-	-	-	-	-	-	434.98	49.49 kg	80.81 kg	-	325.4
16" 400	in. 15 3/4	12	3 1/2	2	1 5/16	13/16	6 1/4	5/16	1 7/8	1 3/4	1 7/16	8 1/8	21 1/4	-	1-8	-	-	16	-	-	20	135 lbs.	224 lbs.	-	15
16" 400	mm 400.05	304.80	88.90	50.80	33.34	20.64	158.75					206.38	539.75	-	-	-	-	-	-	-	508.00	61.29 kg	101.70 kg	-	381.0
18" 450	in. 16 5/8	15	4 1/4	2	1 5/8	13/16	6 3/4	3/8	1 5/8	1 1/2	1 5/8	8	22 3/4	-	1 1/8-7	-	-	16	-	-	21 3/8	190 lbs.	265 lbs.	-	16.87
18" 450	mm 422.28	381.00	107.95	50.80	41.28	20.64	158.75					203.20	577.85	-	-	-	-	-	-	-	542.93	86.27 kg	120.31 kg	-	428.5
20" 500	in. 18 7/8	15 1/4	5 1/16	2 3/4	1 5/8	13/16	6 1/4	3/8	1 3/16	1 1/2	1 3/4	8	25	-	1 1/8-7	-	-	20	-	-	23 5/18	316 lbs.	455 lbs.	-	18.69
20" 500	mm 479.43	387.35	128.95	63.50	41.28	20.64	158.75					203.20	635.00	-	-	-	-	-	-	-	592.14	143.47 kg	206.57 kg	-	474.7
24" 600	in. 22 1/8	18	6 1/8	2 3/4	3	7/8	8 1/2	1/2	2 1/2	2 1/4	2 1/4	11 1/4	29 1/2	-	1 1/4-7	-	-	20	-	-	27 7/8	506 lbs.	702 lbs.	-	22.57
24" 600	mm 561.98	457.20	155.58	69.85	76.20	22.23	215.90					285.75	749.30	-	-	-	-	-	-	-	708.03	229.74 kg	318.71 kg	-	573.3

*L₁ and *M₁ refer to Lug style valves, L₂ and M₂ refer to Wafer style. "C" Dimension is listed with elastomer in the relaxed condition. Approximately 1/8" total compression is required for proper sealing with pipe flanges. Valves are designed for installation between ASME B16.1 Class 125 (Iron) and B16.5 Class 150 (Steel) flanges. Gaskets are not needed, and should not be used, since the seat face seals against the mating flange. If the valve is to be installed in plastic or fiberglass flanges, flange rings, or Van Stone style flanges, consult your Jenkins agent or the factory for additional information. "O" dimension is the disc clearance dimension. Jenkins recommends that a blind flange be used on end of line service applications.

Materials of Construction



Top bushing detail for 8" and larger valves

Bill of Materials

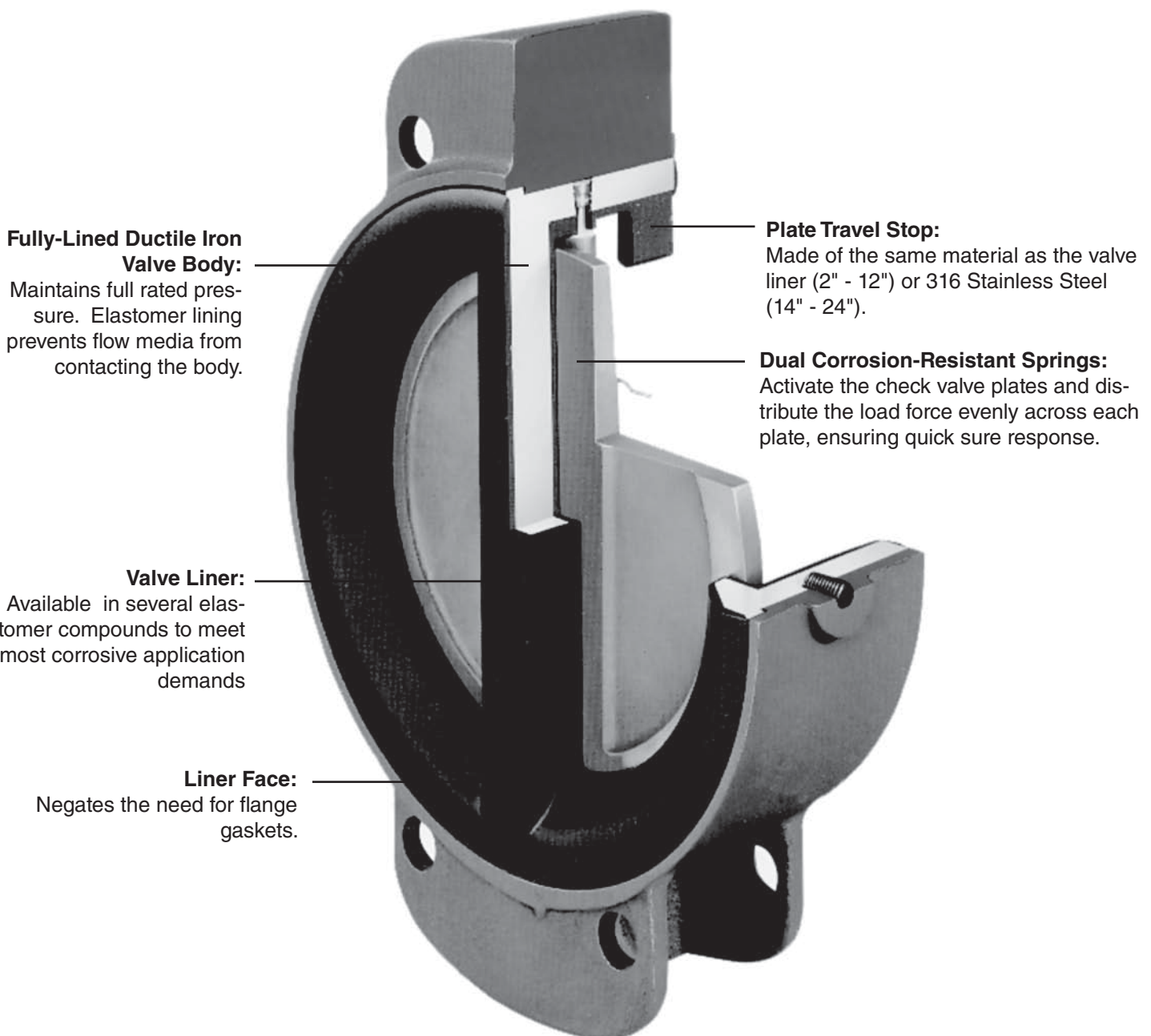
Item	Description	Materials	Optional Materials
1	Body	Ductile Iron	No option available
2	Disc	Ductile Iron	Aluminum Bronze, 316 Stainless Steel, Monel with Abranon Coating
3	Seat	Buna-N or EPDM	Neoprene, Hypalon, Abrasion Resistant Buna-N, Viton (2"-24"), High Temperature Viton (2"-12")
4	Shaft	416 Stainless Steel	2"-12": 17-4 PH, Monel 14"-24": 316 Stainless Steel, Monel
5	Taper Pin	316 Stainless Steel	Monel
6	Key	Carbon Steel	No option available
7	O-Ring	Buna-N	No option available
8	Bushing	PTFE	No option available
9	Bushing	PTFE	No option available
10	Bushing	PTFE	No option available

Features

If you want cost-effective backflow protection for your piping systems, look at what the Series 800 from Jenkins has to offer. It's the only fully elastomer-lined insert check valve available. The ductile iron valve body is completely isolated from line media which can extend the service life of the Series 800 for most applications. It's an especially economical alternative in applications which would otherwise require check valves made of expensive alloys. The availability of a variety of elastomers means the Series 800 is ideal for a broad range of services including:

- HVAC
- Chemical/Petrochemical processing
- Food and Beverage industries
- Power and Utilities
- Pulp and Paper industries
- Other general industries

If you need backflow protection, you won't find a more cost-effective solution.



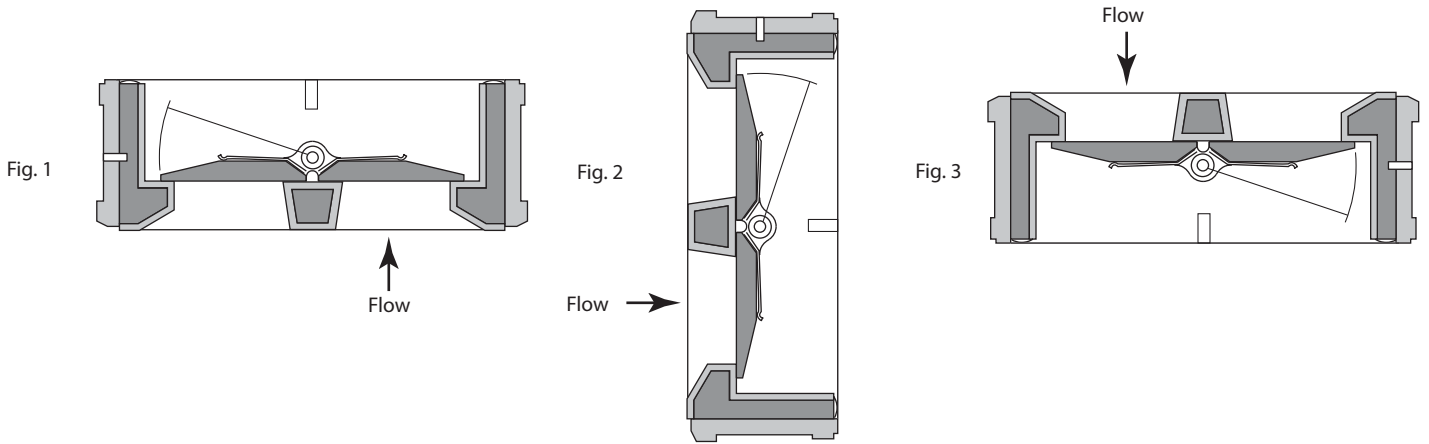
Flow and Temperature Data

- Available in sizes 2" to 24".
- Only fully elastomer lined check valve available.
- Bubble-tight shutoff from 25 to 150 psi ΔP. Lower minimum pressure available on request.
- Wide range of available elastomers; Buna-N or EPDM standard.
- Check valves compatible with ASME B16.1, Class 125 (Iron) or B16.5, Class 150 (Steel) flanges.
- Use of dual springs distributes the load force evenly across each plate, resulting in quick response to flow reversal.

Liner Temperature Ratings

Material	Temperature Ratings °F
Buna-N (Standard)	+10 to 180
EPDM (Standard)	-30 to 275
Neoprene	+20 to 200
Viton	+10 to 400
Hypalon	0 to 275

Some flow media may further restrict the published temperature limits and/or significantly reduce seat life. Consult Jenkins factory for additional information.



Note: Valve should be installed with shaft in the vertical position in a horizontal pipe. This view rotated 90° for pictorial clarity.

C_v Values – Valve Sizing Coefficients (US-GPM @ 1ΔP)

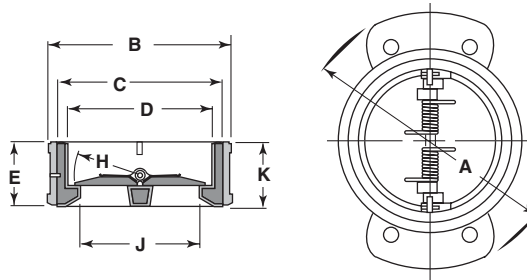
Valve Size	C _v	Cracking Pressure To Open Valve (Inches of Water Column)*		
		Figure 1	Figure 2	Figure 3
2"	36	14	10	5
2 ½"	62	18	12	6
3"	123	11	7	2
4"	281	10	6	2
5"	522	14	10	6
6"	1033	12	8	5
8"	2158	12	9	5
10"	3368	14	13	8
12"	5068	15	10	6
14"	6465	20	12	6
16"	9172	20	12	6
18"	12,853	16	10	8
20"	17,398	24	16	8
24"	28,794	22	15	7

*Figures are approximate. 1" of water column = .036 psi.

Series 800 Elastomer-Lined Check Valves



Dimensional Data

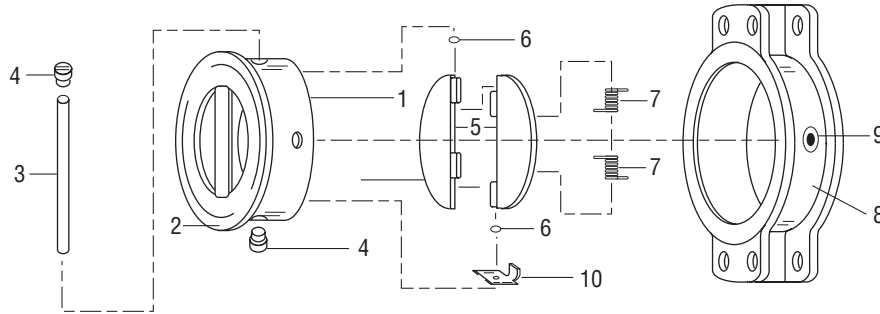


Dimensions

Valve Size		A	B	C	D	E	F	G	H	J	K	Weight
2"	in.	6 1/4	4	3 5/16	2 5/8	2 1/16	4 3/4	11/16	1 1/8	1 7/8	2 1/8	5 lbs
50	mm	158.75	101.60	84.14	66.68	52.39	120.65	17.46	47.63	47.63	53.98	2.27 kg
2 1/2"	in.	7	4 3/4	3 7/8	3 1/8	2 1/16	5 1/2	11/16	1 7/16	2 5/16	2 1/8	6 lbs
65	mm	177.80	120.65	98.43	79.38	52.39	139.70	17.46	36.51	58.74	53.98	2.72 kg
3"	in.	7 1/2	5 1/4	4 9/16	3 5/8	2 1/16	6	11/16	1 5/8	2 3/4	2 1/8	8 lbs
80	mm	190.50	133.35	115.89	92.08	52.39	152.40	17.46	41.28	69.85	53.98	3.63 kg
4"	in.	9 1/4	6 3/4	5 5/8	4 5/8	2 7/16	7 1/2	11/16	2 1/8	3 7/16	2 1/2	15 lbs
100	mm	234.95	171.45	142.88	117.48	61.91	190.50	17.46	53.98	87.31	63.50	6.81 kg
5"	in.	10 5/8	7 5/8	6 3/4	5 11/16	2 9/16	8 1/2	13/16	2 21/32	4 7/16	2 5/8	20 lbs
125	mm	269.88	193.68	171.45	144.46	19.05	215.90	20.64	67.47	112.71	66.68	9.08 kg
6"	in.	12	8 3/4	7 7/8	6 3/4	3 1/16	9 1/2	13/16	3 5/32	5 9/16	3 1/8	26 lbs
150	mm	304.80	222.25	200.03	171.45	77.79	241.30	20.64	80.17	141.29	79.38	11.80 kg
8"	in.	14 1/2	10 5/8	10	8 3/4	3 13/16	11 3/4	13/16	4 5/32	7 9/16	3 7/8	43 lbs
200	mm	368.30	269.88	254.00	222.25	96.84	298.45	20.64	105.57	192.09	98.43	19.52 kg
10"	in.	16 7/8	13 1/4	12 1/8	10 7/8	3 15/16	14 1/4	15/16	5 1/8	9 1/16	4	58 lbs
250	mm	428.63	336.55	307.98	276.23	100.01	361.95	23.81	130.18	230.19	101.60	26.33 kg
12"	in.	19 1/2	16	14 3/8	12 7/8	5 1/16	17	15/16	6 1/4	10 13/16	5 1/8	100 lbs
300	mm	495.30	406.40	365.13	327.03	128.59	431.80	23.81	158.75	274.64	130.18	45.40 kg
14"	in.	22 1/2	17 5/8	15 5/8	14 1/8	7	18 3/4	1 1/16	6 3/4	12 1/16	7 1/8	135 lbs
350	mm	571.50	447.68	396.88	358.78	177.80	476.25	26.99	171.45	306.39	180.98	61.29 kg
16"	in.	24 7/8	20 1/8	17 3/4	16 1/8	6 1/4	21 1/4	1 1/16	7 3/4	14	6 3/8	170 lbs
400	mm	631.83	511.18	450.85	409.58	158.75	539.75	26.99	196.85	355.60	161.93	77.18 kg
18"	in.	25 1/4	21 1/2	20	18 1/8	7 1/8	22 3/4	1 3/16	8 3/4	16	7 1/4	220 lbs
450	mm	641.35	546.10	508.00	460.37	180.97	577.85	30.16	222.25	406.14	184.15	99.88 kg
20"	in.	27 1/2	23 1/2	21 7/8	20 1/8	8 3/8	25	1 3/16	9 3/4	18 1/8	8 1/2	287 lbs
500	mm	698.50	596.90	555.62	511.17	212.72	635.00	30.16	247.65	469.90	215.90	130.30 kg
24"	in.	32 1/4	28 1/8	25 7/8	24 1/8	8 3/8	29 1/2	1 15/16	11 3/4	22 1/4	8 1/2	335 lbs
600	mm	819.15	714.37	657.22	612.77	212.72	749.30	33.34	298.45	565.15	215.90	152.09 kg

Note: Preferred mounting of check valves of any manufacturer is 8 pipe diameters downstream from the pump discharge or pipe elbow. If this is not feasible, the valve should be mounted downstream as far as possible. This recommendation is not exclusive to Jenkins valves, but common practice in valve and piping engineering. Its purpose is to reduce the likelihood of turbulent flow through the valve, which could shorten valve life due to component vibration.

Materials of Construction



Bill of Materials

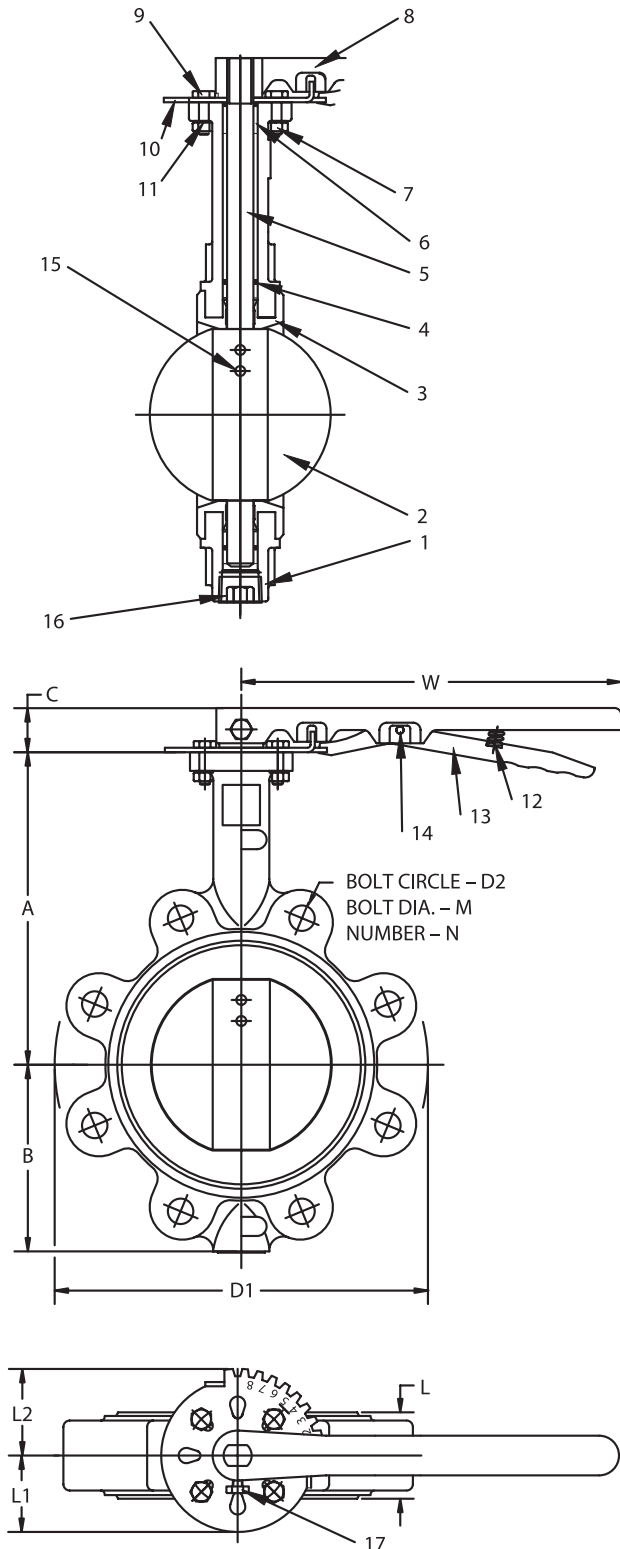
Item	Description	Materials	Optional Materials
1*	Valve Body	Ductile Iron	No option available
2*	Liner (Molded to Item 1)	Buna-N or EPDM	Neoprene, Hypalon, Viton
3	Shaft	316 Stainless Steel	Monel
4	Shaft Plug (Qty. 2)	316 Stainless Steel	Monel
5	Plate (Qty. 2)	2" 316 Stainless Steel 2½"-5" Aluminum Bronze 6"-24" Ductile Iron	2"-12" Monel 2½"-12" 316 Stainless Steel 6"-24" Aluminum Bronze
6	Thrust Washer (Qty. 4)	PTFE	No option available
7	Spring (Qty. 2)	Nitronic 50 (2"-6") 316 Stainless Steel (8"-24")	No option available No option available
8	Alignment Body	Cast Iron	No option available
9	Set Screw	Carbon Steel	No option available
10	Plate Travel Stop	316 Stainless Steel (14"-24")	No option available

* Items 1 and 2 must be ordered together.

Figure C232ELJ Contractor Butterfly Valves



200 CWP • Lug Body • Lever Operated



Materials of Construction

No.	Description	Material	ASTM Spec.
1	Body	Cast Iron	A-126 CL. B
2	Disc	Aluminum Bronze	B-148 Alloy C95400
3	Molded-In Liner	EPDM	
4	O-Ring	Buna-N	
5	Shaft	416SS	A-582 Type 416
6	Bushing	PTFE	
7	Nut	Carbon Steel	A-575 AISI 1018
8	Handle	DI	
9	Bolt	Carbon Steel	
10	Indicator Plate	Carbon Steel	
11	Washer	Carbon Steel	
12	Spring	SS	
13	Latch	DI	
14	Roll Pin	Carbon Steel	
15	Taper Pin	SS	
16	Plug	Carbon Steel	
17	Screw	Carbon Steel	

NOTES:

1. "L" dimension is elastomer shown is relaxed condition. Approximately 1/8" total compression required for seal.
2. Line flange dimensions comply with ASME B16.1.
3. Body's mounting flange complies with ISO5211.
4. Order parts by item number, valve size and figure number.
5. Meets MSS SP-25, API 609, MSS SP-67.

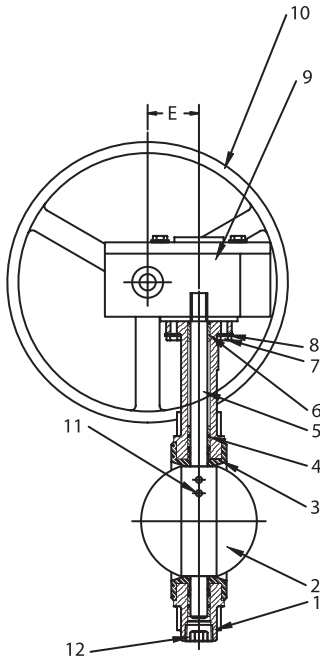
Dimensions

Size	A	B	C	L	L1	L2	W
2	6.37	3.15	1.25	1.815	2	2.50	10.50
2½	6.87	3.50	1.25	1.933	2	2.50	10.50
3	7.12	3.75	1.25	1.929	2	2.50	10.50
4	7.12	4.50	1.25	2.177	2	2.50	10.50
5	8.37	5.00	1.25	2.315	2	2.50	10.50
6	8.87	5.46	1.25	2.327	2	2.50	10.50
8	10.25	7.77	1.75	2.524	3	3.681	14.00
10	11.50	8.00	1.75	2.799	3	3.681	14.00
12	13.25	9.53	1.75	3.189	3	3.681	14.00

Size	D1	D2	M	N
2	6.09	4.75	0.69	4
2½	7.06	5.50	0.69	4
3	7.50	6.00	0.69	4
4	8.65	7.50	0.69	8
5	10.00	8.50	0.81	8
6	11.25	9.50	0.81	8
8	13.37	11.75	0.81	8
10	16.00	14.25	0.94	12
12	18.81	17.00	0.94	12

Inches

200 CWP • Lug Body • Handwheel Gear Operated

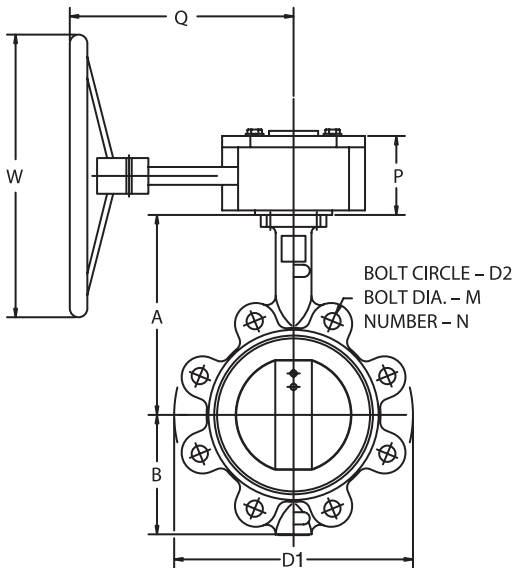


Materials of Construction

No.	Description	Material	ASTM Spec.
1	Body	Cast Iron	A-126 CL. B
2	Disc	Aluminum Bronze	B-148 Alloy C95400
3	Molded-In Liner	EPDM	
4	O-Ring	Buna-N	
5	Shaft	416 SS	A-582 Type 416
6	Bushing	PTFE	
7	Bolt	Carbon Steel	
8	Washer	Carbon Steel	
9	Gear Box		
10	Handwheel	CI	
11	Taper Pin	316 SS	
12	Plug	Carbon Steel	

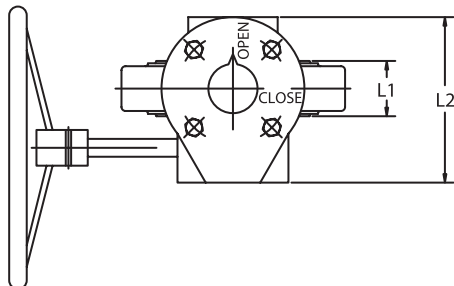
NOTES:

1. "L" dimension is elastomer shown in relaxed condition. Approximately 1/8" total compression required for seal.
2. Line flange dimensions comply with ASME B16.1.
3. Body's mounting flange complies with ISO5211.
4. Order parts by item number, valve size and figure number.
5. Meets MSS SP-25, API 609, MSS SP-67.



Dimensions

Size	A	B	D1	D2	E	L1	L2
2	6.37	3.15	4.00	4.75	1.77	1.815	5
2½	6.87	3.50	4.75	5.50	1.77	1.933	5
3	7.12	3.75	5.12	6.00	1.77	1.929	5
4	7.12	4.50	6.75	7.50	1.77	2.177	5
5	8.37	5.00	7.75	8.50	2.14	2.315	6.016
6	8.87	5.46	8.62	9.50	2.14	2.327	6.016
8	10.25	7.77	10.56	11.75	2.67	2.524	6.732
10	11.50	8.00	13.06	14.25	2.67	2.799	6.732
12	13.25	9.53	16.12	17.00	2.67	3.189	6.732



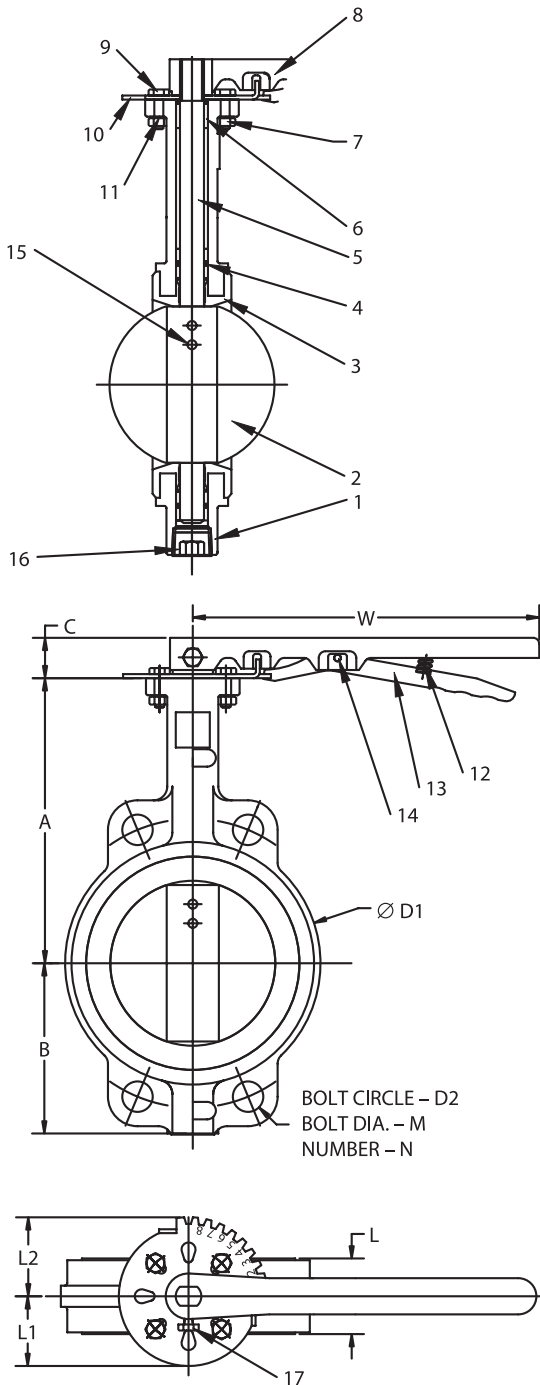
Size	M	N	P	Q	W
2	0.69	4	2.953	9.370	11.81
2½	0.69	4	2.953	9.370	11.81
3	0.69	4	2.953	9.370	11.81
4	0.69	8	2.953	9.370	11.81
5	0.81	8	3.307	9.370	11.81
6	0.81	8	3.307	9.370	11.81
8	0.81	8	3.307	8.898	11.81
10	0.94	12	3.307	8.898	11.81
12	0.94	12	3.307	8.898	11.81

Inches

Figure C222ELJ Contractor Butterfly Valves



200 CWP • Wafer Body • Lever Operated



Materials of Construction

No.	Description	Material	ASTM Spec.
1	Body	Cast Iron	A-126 CL. B
2	Disc	Aluminum Bronze	B-148 Alloy C95400
3	Molded-In Liner	EPDM	
4	O-Ring	Buna-N	
5	Shaft	416 SS	A-582 Type 416
6	Bushing	PTFE	
7	Nut	Carbon Steel	A-575 AISI 1018
8	Handle	DI	
9	Bolt	Carbon Steel	
10	Indicator Plate	Carbon Steel	
11	Washer	Carbon Steel	
12	Spring	SS	
13	Latch	DI	
14	Roll Pin	Carbon Steel	
15	Taper Pin	300 Series SS	
16	Plug	Carbon Steel	
17	Screw	Carbon Steel	

NOTES:

1. "L" dimension is elastomer shown in relaxed condition. Approximately $\frac{1}{8}$ " total compression required for seal.
2. Line flange dimensions comply with ASME B16.1.
3. Body's mounting flange complies with ISO5211.
4. Order parts by item number, valve size and figure number.
5. Meets MSS SP-25, API 609, MSS SP-67.

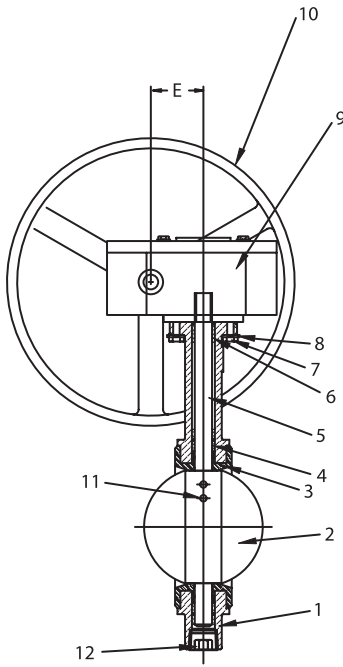
Dimensions

Size	A	B	C	L	L1	L2	W
2	6.37	3.15	1.25	1.815	2	2.50	10.50
2½	6.87	3.50	1.25	1.933	2	2.50	10.50
3	7.12	3.75	1.25	1.929	2	2.50	10.50
4	7.12	4.50	1.25	2.177	2	2.50	10.50
5	8.37	5.00	1.25	2.315	2	2.50	10.50
6	8.87	5.46	1.25	2.327	2	2.50	10.50
8	10.25	7.77	1.75	2.524	3	3.681	14.00
10	11.50	8.00	1.75	2.799	3	3.681	14.00
12	13.25	9.53	1.75	3.189	3	3.681	14.00

Size	D1	D2	M	N
2	4.00	4.75	0.69	4
2½	4.75	5.50	0.69	4
3	5.12	6.00	0.69	4
4	6.75	7.50	0.69	8
5	7.75	8.50	0.81	8
6	8.62	9.50	0.81	8
8	10.56	11.75	0.81	8
10	13.06	14.25	0.94	12
12	16.12	17.00	0.94	12

Inches

200 CWP • Wafer Body • Handwheel Gear Operated

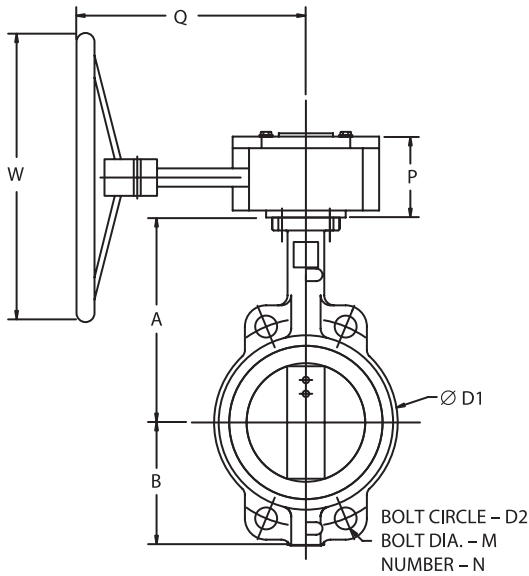


Materials of Construction

No.	Description	Material	ASTM Spec.
1	Body	Cast Iron	A-126 CL. B
2	Disc	Aluminum Bronze	B-148 Alloy C95400
3	Molded-In Liner	EPDM	
4	O-Ring	Buna-N	
5	Shaft	416 SS	A-582 Type 416
6	Bushing	PTFE	
7	Bolt	Carbon Steel	
8	Washer	Carbon Steel	
9	Gear Box		
10	Handwheel	CI	
11	Taper Pin	300 Series SS	
12	Plug	Carbon Steel	

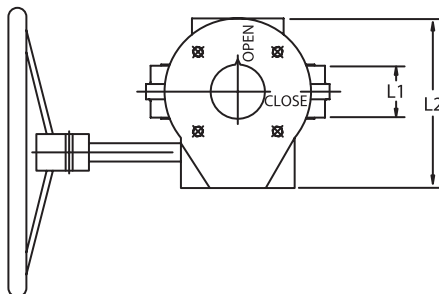
NOTES:

1. "L" dimension is elastomer shown in relaxed condition. Approximately 1/8" total compression required for seal.
2. Line flange dimensions comply with ASME B16.1.
3. Body's mounting flange complies with ISO5211.
4. Order parts by item number, valve size and figure number.
5. Meets MSS SP-25, API 609, MSS SP-67.



Dimensions

Size	A	B	D1	D2	E	L1	L2
2	6.37	3.15	4.00	4.75	1.77	1.815	5
2½	6.87	3.50	4.75	5.50	1.77	1.933	5
3	7.12	3.75	5.12	6.00	1.77	1.929	5
4	7.12	4.50	6.75	7.50	1.77	2.177	5
5	8.37	5.00	7.75	8.50	2.14	2.315	6.016
6	8.87	5.46	8.62	9.50	2.14	2.327	6.016
8	10.25	7.77	10.56	11.75	2.67	2.524	6.732
10	11.50	8.00	13.06	14.25	2.67	2.799	6.732
12	13.25	9.53	16.12	17.00	2.67	3.189	6.732



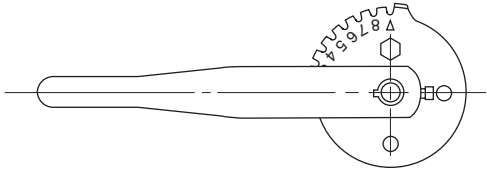
Size	M	N	P	Q	W
2	0.69	4	2.953	6.220	5.906
2½	0.69	4	2.953	6.220	5.906
3	0.69	4	2.953	6.220	5.906
4	0.69	4	2.953	6.220	5.906
5	0.81	4	3.307	9.375	11.81
6	0.81	4	3.307	9.375	11.81
8	0.81	4	3.307	8.898	11.81
10	0.94	4	3.307	8.898	11.81
12	0.94	4	3.307	8.898	11.81

Inches

Options and Accessories

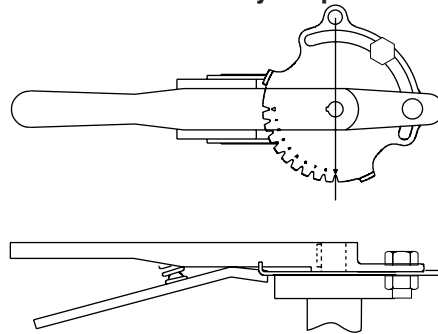
Handle Features/Options:

Standard



The standard handle functions with a ten-position indicator plate to assist in throttling or to provide shutoff.

Memory Stop



Extended plates with radial slots are optional for memory stop applications. In these cases, bolts and nuts are furnished and special handles are used as shown.

Gear Operator Options:

1. MEMORY STOP FOR GEAR OPERATORS

A memory stop suitable for visual position indication may be provided; however, a more positive stop on the input side of the gear operator is available in the traveling nut stop for nonvisual position indication.

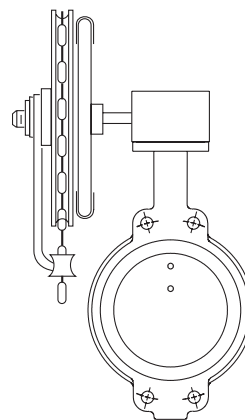
2. OPERATING NUT FOR GEAR OPERATOR

An operating nut may be supplied on the gear shaft, in place of a handwheel.

3. CHAINWHEELS

Some overhead installations require the convenience of chainwheels to enable operation from a lower elevation level.

CHAINWHEELS



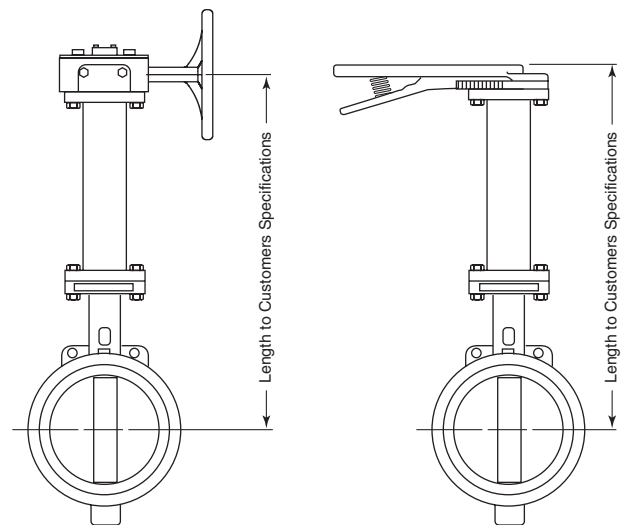
Direct-mounted chainwheels are available. Another option, utilizing an adjustable sprocket rim and guide which is fastened to a round handwheel, may be furnished.

4. EXTENSION STEMS

Installations may require extension stems to elevate the operating location of a valve.

Extension stems as illustrated may be supplied for operation by either lever, gear, or actuator.

EXTENSION STEMS



Accessories/Actuators

ELECTRIC ACTUATORS

All butterfly valves can be furnished with factory-mounted electric actuators, or the actuators and linkage kits may be furnished for field mounting.

Standard actuator features include:

- Several Basic Models of Electric Actuation are available in torques ranging from 45 to 250,000 in-lbs.
- Permanent lubrication-no maintenance program required.
- Can be mounted at any angle.
- Precision cut, hardened steel gears.
- Reversible and non-reversible motors.
- Standard electrical voltage 115/1/60, other voltages available.
- Manual override in the event of power failure.
- Literature, data sheets, wiring diagrams and sizing charts are available upon request.

INFORMATION REQUIRED WITH ORDER OR INQUIRY:

1. Valve size and figure number.
2. Service conditions—media, temperature, and maximum differential pressure.
3. Required closing or opening time.
4. Duty cycle—continuous or intermittent duty.
5. Electrical supply—AC or DC, phase and cycles if AC voltage.
6. Type of motor—weatherproof, dust-tight, or explosion-proof.
7. Accessories—switches, potentiometers, or other special requirements such as a control station. Please include the number, type and electrical ratings you require.
8. Cycling requirement—on/off or modulating.



PNEUMATIC ACTUATORS

All butterfly valves can be furnished with pneumatic actuators fully mounted and tested at the factory, or actuators and linkage kits may be furnished for field mounting.

- Both direct mount and bracketed rack-and-pinion designs are readily available. In either case, both double acting and spring return models can be furnished.
- Please refer to the specific actuator bulletin for details on the materials of construction of the required actuator.
- Range of torque output is from 70 to 100,000 inch-pounds.
- Accessories such as solenoid valves, limit switches, positioners and manual override can also be furnished.
- Literature, data sheets and valve sizing charts are available upon request.

INFORMATION REQUIRED WITH ORDER OR INQUIRY:

1. Valve size and figure number.
2. Service conditions—media, temperature, and maximum differential pressure.
3. Cycling requirements—on/off or modulating.
4. Air pressure available to operate actuator.
5. Need for solenoid valves, NEMA requirements, and optional speed controls.
6. Need for limit switches, NEMA requirements.
7. Accessories—switches, potentiometers, or other special requirements, such as a control station. Please include the number, type and electrical ratings you require.



SINCE

1864



Global Headquarters

9200 New Trails Drive, Suite 200
The Woodlands, Texas 77381-5219
Tel: +1-281-298-5463
Fax: +1-281-298-1920

Customer Service

Jenkins Valves
254 Henry Street
Brantford, Ontario N3T 5T7
Tel: +1-519-759-3911
Tel: +1-800-563-6302
Fax: +1-519-759-7970

www.craneenergy.com

Crane Energy Flow Solutions

CENTER LINE®

Resilient Seated Butterfly and Check Valves
Pneumatic and Electric Actuators

CRANE®

Cast Steel, Bronze, and Iron Valves

FLOWSEAL®

High Performance Butterfly Valves

JENKINS®

Bronze, Iron, and Cast Steel Valves

DUO-CHEK®

High Performance Wafer Check Valves

ALOYCO®

Corrosion Resistant Gate, Globe and Check Valves

UNI-CHEK®

Severe Service Check Valves

NOZ-CHEK® & COMPAC-NOZ®

Severe Service, Nozzle-Type Check Valves

PACIFIC®

High Pressure and Severe Service Valves
Quarter Turn Severe Service Plug Valves

WEDGEPLUG®

Severe Service, Metal-Seated Plug Valves

CRANE®

Energy Flow Solutions

Crane, Center Line, Flowseal, Duo-Chek, Uni-Chek, Pacific,
Jenkins, Alloyco, Noz-Chek, Compac-Noz and Wedgeplug are
all trademarks of Crane Co. ©2008