



Description & Features:

- Most economical pressure gauge used for panels
- 1.5" (40mm) to 2.5" (63mm) dial sizes
- Black steel case
- Brass wetted parts
- Stainless steel crimp-on bezel
- Stud-style U-Clamp design for secure panel mounting
- $\pm 3-2-3$ accuracy
- Dual scale (psi/kPa)
- CRN registered
- 1 year warranty

Applications:

- For measuring gases, air, water and oils when equipment or processes require an economical panel mounted gauge

Specifications	
Dial	1.5" (40mm), 2" (50mm), 2.5" (63mm) white aluminum with black and red markings
Case	Steel, painted black
Lens	Plastic
Ring	SS
Socket	Brass
Connection	1/8" NPT or 1/4" NPT standard
Bourdon Tube	Phosphor bronze
Movement	Brass
Pointer	Steel, painted black
Welding	Silver alloy
Over-Pressure Limit	25% of full scale value
Working Pressure	Maximum 75% of full scale value
Ambient/Process Temperature	-40°F to 150°F (-40°C to 65°C)
Accuracy	$\pm 3-2-3\%$ ANSI/ASME Grade B
Enclosure Rating	IP52

Order Codes (products in bold are normally in stock)

Dial Size	1.5" (40mm)	2" (50mm)	2" (50mm)	2.5" (63mm)
Connection	1/8" NPT	1/8" NPT	1/4" NPT	1/4" NPT
30" Hg. vacuum/kPa	PEU1399UC	PEU1396UC	PEU1428UC	PEU1431UC
0 - 15 psi/kPa	PEU1398UC	PEU1397UC	PEU1429UC	PEU1436UC
0 - 30 psi/kPa	PEU1400UC	PEU1402UC	PEU1403UC	PEU1437UC
0 - 60 psi/kPa	PEU1401UC	PEU1404UC	PEU1405UC	PEU1438UC
0 - 100 psi/kPa	PEU1420UC	PEU1406UC	PEU1407UC	PEU1439UC
0 - 160 psi/kPa	PEU1421UC	PEU1408UC	PEU1409UC	PEU1440UC
0 - 200 psi/kPa	PEU1422UC	PEU1412UC	PEU1410UC	PEU1441UC
0 - 300 psi/kPa	PEU1423UC	PEU1413UC	PEU1411UC	PEU1442UC

Note: Other ranges and connection sizes available upon request

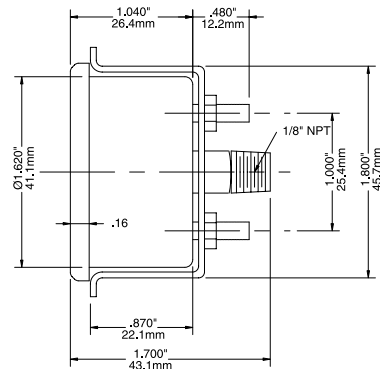
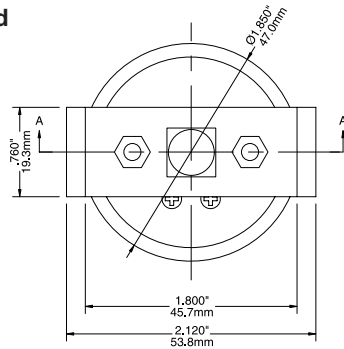
1.5" Panel Mounted

Panel cut-out

1.63"(42mm)

Outer diameter

1.84"(47mm)



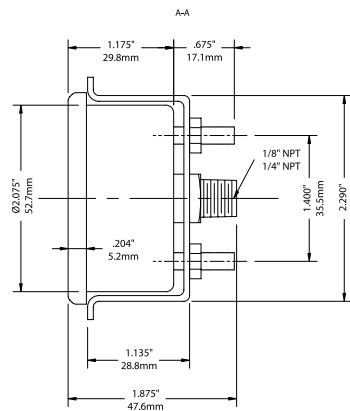
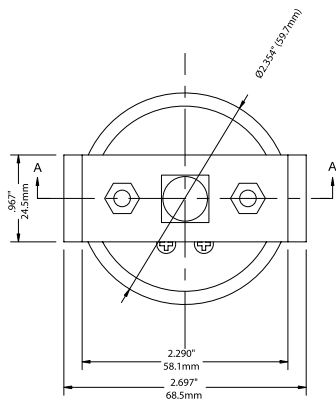
2" Panel Mounted

Panel cut-out

2.12"(54mm)

Outer diameter

2.29"(58mm)



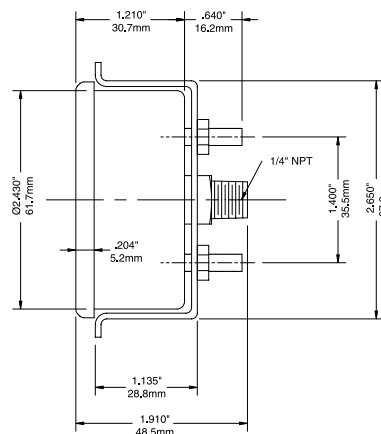
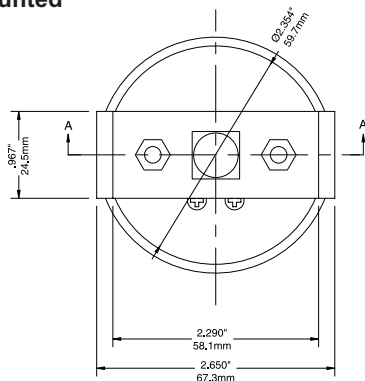
2.5" Panel Mounted

Panel cut-out

2.44"(62mm)

Outer diameter

2.65"(67mm)



Series Number (for custom, non-standard product)

	P	E	U	-			-		-		-		-			-		-			
SERIES																					
DIAL SIZE																					
1" (25.4mm)					1	0															
1.5" (40mm)					1	5															
2.0" (50mm)					2	0															
2.5" (63mm)					2	5															
CASE MATERIALS																					
304SS																					
Brass																					
Plastic																					
Steel Painted Black																					
WETTED PARTS																					
Brass																					
316SS																					
Special																					
CONFIGURATION																					
Back Connection, U-clamp																					
Special																					
CONNECTION SIZE																					
1/8"																					
1/4"																					
Special																					
THREAD																					
NPT																					
BSP (G)																					
BSPT (R)																					
M14 x 1.5																					
M20 x 1.5																					
Special																					
PRIMARY SCALE																					
UNITS - See Page 13																					
RANGE - See Page 13																					
SECONDARY SCALE																					
UNITS - See Page 13																					
OPTIONS																					
316L wetted																					S C
Acrylic lens																					S V
Black Rubber Boot																					S Z
Maximum Adjustable Pointer																					S J
Oxygen Cleaning																					S L
Safety Glass																					S A
Stainless Steel Tag Plate																					S M
Test Certificate																					S O
No Options																					X X