

Clean - in - Place



Description & Features:

- Ideal for use where sanitary requirements are of high priority (i.e. dairy, food, pharmaceutical, etc.)
- 316-grade stainless steel transmitter is easily cleaned (or steamed) in place with minimal zero shift
- Insensitive to thermal shock
- Contains no fill oils and is available with a 1.5" (40mm) or 2" (50mm) Tri-Clamp®
- Pressure ranges vary from 0-15 in/H₂O to 0-1,000 psi
- Standard operating temperature: -40°F to 260°F (-40°C to 128°C)
- ±0.2% accuracy
- 1 year warranty

Applications:

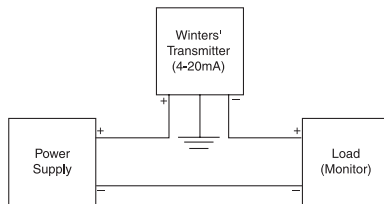
- Dairy and pharmaceutical applications requiring 3A approval, food and beverage processing sanitary pipelines and liquid level control (e.g. tanks)

Specifications	
Electrical Output	4-20mA, 2 wire (other options available)
Electrical Connector	15ft shielded cable, 3/4" conduit
Zero/Span Control	Standard
Product Approvals	3A (37-01), CE
Connections	1.5" (40mm), 2" (50mm) Tri Clamp®
Wetted Parts	316 SS
Housing	316 SS
Environmental Protection Rating	NEMA 4X (IP65)
Proof Pressure	Varies with range
Burst Pressure	Varies with range
Normal Operating Temperature Range	-40°F to 260°F (-40°C to 128°C)
Thermal Effect	±2% FSO zero and span shift per 100°F (37.7°C) 20°F to 180°F (-7°C to 80°C) compensated range
Ambient Temperature Effect on Zero	2% FSO at 100°F (37.7°C)
Thermal Shock	0°F to 257°F (0°C to 125°C) negligible effect (CIP/SIP)
Response Time	10ms
Non-Repeatability	0.1% FSO
Hysteresis	0.12% FSO
Accuracy	±0.20% FSO
Long Term Stability	0.5% FSO per annum
EMI/RFI Protection	Yes
Rating Weight	8 oz (227g)

Tri-Clamp® is a registered trademark of Tri-Clover, Inc.

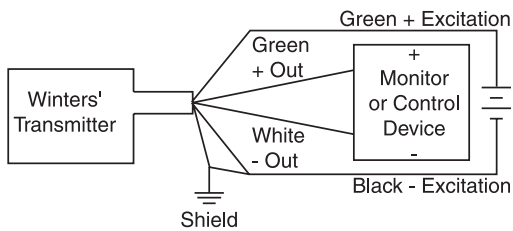
Current Output Units

- 2-wire, 4-20 mA current output device delivers rated current into any external load of 0-800 ohms
- The 4-20 mA current output units are designed to have current flow in one direction only - **please observe polarity**
- The electrical cable shield should be connected to the system's loop circuit ground to improve electrical noise rejection

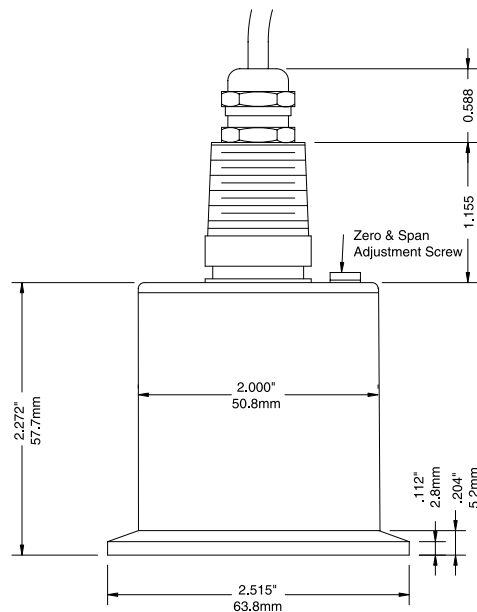


Voltage Output Units

3-wire circuit. If supplied with 2 feet of cable, the electrical connection is as follows:



2" Tri-Clamp® Fitting



Tri-Clamp® is a registered trademark of Tri-Clover

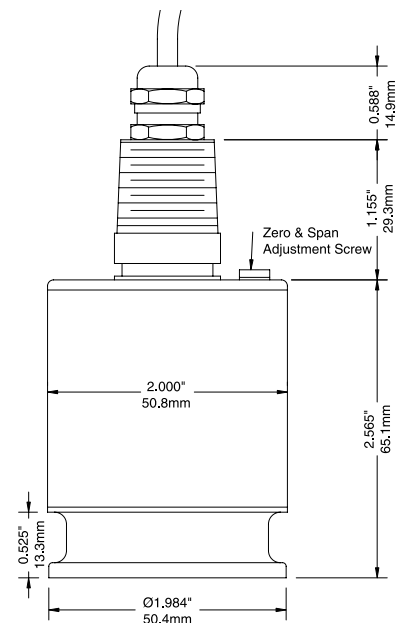
Order Codes

Pressure Range	1.5" (40mm) Tri-Clamp®	2" (50mm) Tri-Clamp®
0-1 psi (27.7 in/H2O)	-	LTC201
0-2 psi (55.4 in/H2O)	-	LTC202
0-5 psi (138.4 in/H2O)	-	LTC205
0-10 psi (276.8 in/H2O)	-	LTC210
0-15 psi (415.2 in/H2O)	-	LTC215
0-30 psi	LTC1530	LTC230
0-60 psi	LTC1560	LTC260
0-100 psi	LTC15100	LTC2100
0-150 psi	LTC15150	LTC2150
0-300 psi	LTC15300	-
0-500 psi	LTC15500	-
0-1,000 psi	LTC151000	-

Note: Other outputs and options available

Red = +Excitation; connect to appropriate power supply
 Green = +Output; connect to controls or monitor
 Black = Common; connect to return of power supply
 White = -Output; connect to controls or monitor
 Shielding = Connect to system or earth ground

1.5" Tri-Clamp® Fitting



Series Number (for custom, non-standard product)

	L	T	C	-				-		-			-		
SERIES															
PRESSURE															
1					0	0	1								
2					0	0	2								
5					0	0	5								
10					0	1	0								
15					0	1	5								
30					0	3	0								
60					0	6	0								
100					1	0	0								
150					1	5	0								
300					3	0	0								
500					5	0	0								
1000					0	1	K								
Custom					9	9	9								
PRESSURE															
psi								P							
kPa								K							
Bar								B							
Special								X							
OUTPUT															
4...20 mA / 2-wire									1						
ACCURACY															
0.2%										7					
Custom										9					
ELECTRICAL CONNECTION															
15' Shielded Cable											S	C			
Custom											9	9			
MECHANICAL CONNECTION															
1.5" Tri-Clamp													T	1	
2" Tri-Clamp													T	2	
Custom													9	9	