



Description & Features:

- Excellent flow regulation and leak tight
- The one-piece body construction (no welding) provides strength, safety and corrosion resistance
- “Slow opening” prevents sudden pressure surge and instrument damage
- Available in Soft Seat (up to 6,000 psi, Delrin Seat) and Hard Seat (up to 10,000 psi, Metal Seat)
- Hard Seat Needle Valves are also available with a carbon steel construction
- 1 year warranty

Applications:

- Common applications include refineries, liquid petroleum gas and processing plant systems that are difficult to shut down due to solid contents like dust, rust, dirt, etc.

Order Codes

NPT Connection	Soft Seat	Hard Seat	
	SS	SS	Carbon
1/4" Female x 1/4" Female	NVA25SFFS	NVA25SFFH	NVA25CFFH
1/2" Female x 1/2" Female	NVA5SFFS	NVA5SFFH	NVA5CFFH
1/4" Male x 1/4" Female	NVA25SMFS	NVA25SMFH	NVA25CMFH
1/2" Male x 1/2" Female	NVA5SMFS	NVA5SMFH	NVA5CMFH

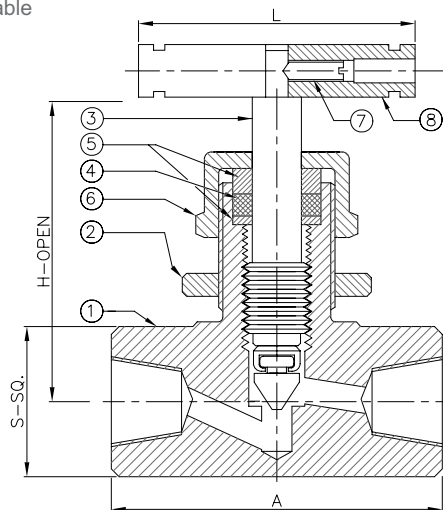
Note: Other configurations available

SS Needle Valves can be supplied to meet MR-01-75 NACE (Sour gas service)

Graphoil packaging for high temperature applications available

Panel mounting kits available

Soft Seat		
Description	Material	Drawing Number
Body	AISI 316 SS	1
Panel Nut	AISI 316 SS	2
Stem	AISI 316 SS	3
Packing	Teflon®	4
Washer	AISI 316 SS	5
Gland Nut	AISI 316 SS	6
Grub Screw	Steel Plated	7
Handle	AISI 304 SS	8
Seat Material	Delrin	-

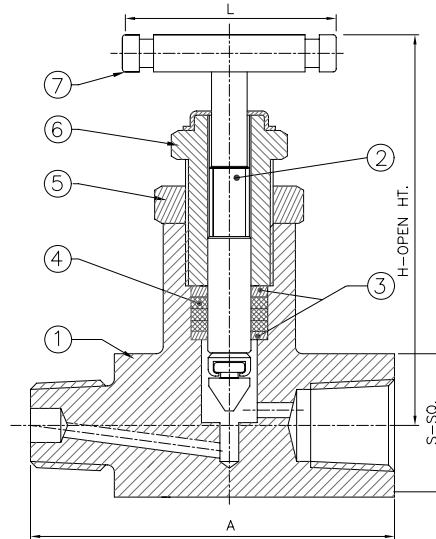


Size	A	S-SQ	H-Open	L
1/4"	1.95" (50mm)	0.86" (22mm)	2.69" (69mm)	1.95" (50mm)
1/2"	2.65" (68mm)	1.17" (30mm)	3.23" (83mm)	2.34" (60mm)

Teflon® is a registered trademark of Dupont Corporation

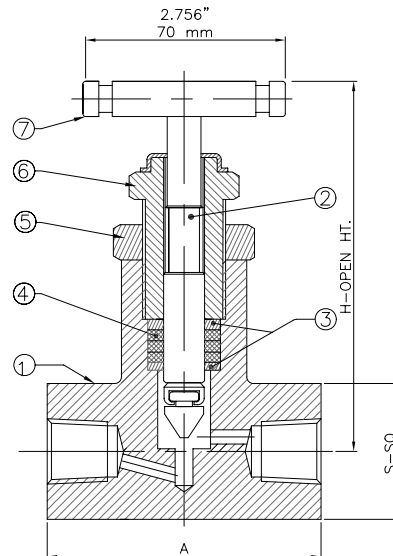
NVA Stainless Steel Needle Valve

Hard Seat		
Description	Material	Drawing Number
Body	AISI 316 SS	1
Stem	AISI 316 SS - Stellited V Tip	2
Packing Washer	AISI 316 SS	3
Gland Packing	AISI 316 SS	4
Lock Nut	AISI 316 SS	5
Gland Retainer	AISI 316 SS	6
Handle	AISI 304 SS	7
Seat Material	Metal	-



Size	A	S-SQ	H-Open	L
1/4"	2.36" (60mm)	0.98" (25mm)	3.35" (86mm)	2.36" (60mm)
1/2"	3.23" (82mm)	1.33" (34mm)	3.82" (98mm)	2.73" (70mm)

Carbon Steel Seat		
Description	Material	Drawing Number
Body	Carbon Steel	1
Stem	AISI 316 SS - Stellited V Tip	2
Packing Washer	AISI 316 SS	3
Gland Packing	AISI 316 SS	4
Lock Nut	Carbon Steel	5
Gland Retainer	Carbon Steel	6
Handle	Aluminum black anodized	7
Seat Material	Metal	-



Size	A	S-SQ	H-Open	L
1/4"	2.15" (55mm)	0.98" (25mm)	3.35" (86mm)	2.36" (60mm)
1/2"	2.93" (75mm)	1.33" (34mm)	3.82" (98mm)	2.73" (70mm)

Series Number (for custom, non-standard product)

	N	V	A	-	-	-	-	-	-	-	-	-	-	-
SERIES														
PROCESS CONNECTION SIZE														
1/4" NPT					4									
3/8" NPT					3									
1/2" NPT					2									
PROCESS CONNECTION														
Male						M								
Female						F								
Tube						T								
Metric Tube						C								
INSTRUMENT CONNECTION SIZE														
1/4" NPT							4							
3/8" NPT							3							
1/2" NPT							2							
INSTRUMENT CONNECTION														
Male								M						
Female								F						
Tube								S						
Metric Tube								B						
STUFFING BOX SEALS														
PTFE									T					
Graphite									G					
BLEED/VENT REQUIREMENTS														
No Bleed										N				
6mm Bleed Screw										B				
ANTI-TAMPER														
All T Bars												T		
Isolate is tamper proof												S		
Knobs on all												K		
CONSTRUCTION MATERIAL														
316 L NACE MR 01-75													L	
316 SS													S	
Monel 400													M	
Inconel 718													N	
Carbon Steel													C	
OPTIONS														
Lockable pusher														L
Lockable T bar														T
Mounting to order														M
Oxygen Clean														O
Panel Mounting														P
Metering tip														X
17/4 PH Condition H1075														H