

**FIGURE  
9431-S-LL**

# Stainless Steel Ball Valves

## 2000 CWP • Two-Piece Body

Figure 9431-S-LL  
Threaded Ends

**Size Range:**  
¼ through 2 inches

**Design Features:**

- MSS SP-110
- Full Port
- Locking Handle
- Standard Mounting Pad
- Firesafe to API 607

### Dimensions and Weights

Valve Size	Weight (lbs)	Dimensions (inches)									
		d	H	L	W	S	S1	X	N	P	BL
¼	0.7	0.5	2.1	2.4	4.1	0.6	0.4	0.2	0.5	1.1	5/16
⅜	0.7	0.5	2.1	2.4	4.1	0.6	0.4	0.2	0.5	1.1	5/16
½	0.7	0.6	2.1	2.4	3.7	0.6	0.4	0.2	0.5	1.1	5/16
¾	1.3	0.75	2.4	3.0	4.3	0.8	0.5	0.3	0.8	1.4	3/8
1	2.2	1.00	2.9	3.5	5.3	0.9	0.6	0.3	0.9	1.4	7/16
1 ¼	3.5	1.25	3.1	3.9	5.3	0.9	0.6	0.3	0.9	1.5	7/16
1 ½	5.0	1.50	3.6	4.6	6.5	1.0	0.7	0.4	0.9	1.5	½
2	8.2	2.00	4.0	5.4	6.5	1.0	0.7	0.4	1.3	1.5	½

### Materials of Construction

1	Body	CF8M
2	End Cap	CF8M
3	Solid Ball	CF8M
4	Ball Seats	15% R-PTFE
5	Body Seats	PTFE
6	Stem	AISI 304
7	Thrust Washer	25% GF +PTFE
8	Stem Packing	PTFE
9	Gland Nut	AISI 304
10	Handle	AISI 304
11	Spring Washer	AISI 304
12	Stem Nut	AISI 304
13	Plastic	Plastic
14	Locking Device	AISI 304

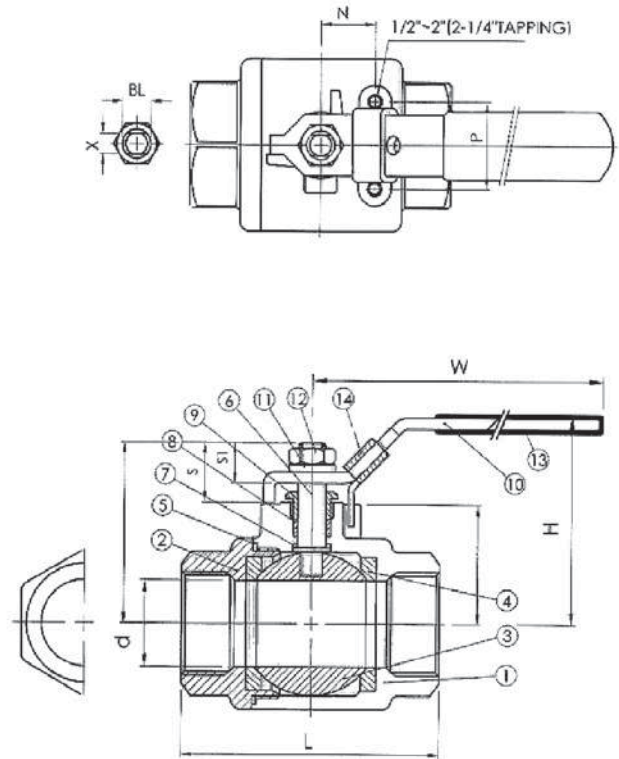


Fig. 9431-S-LL