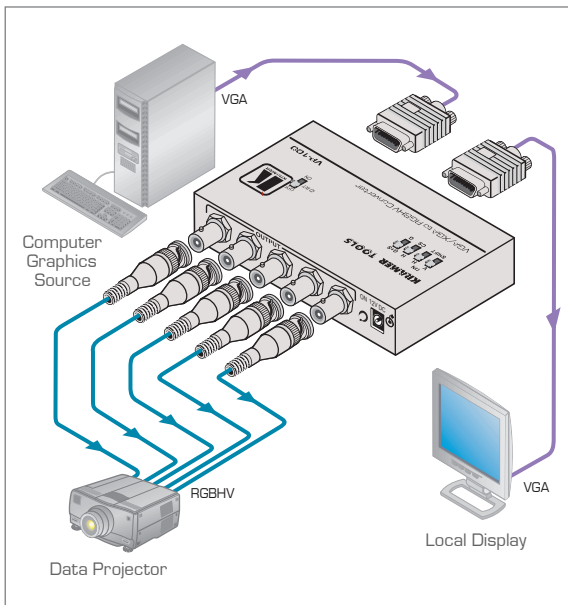
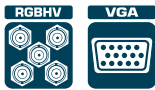


VP-100

Computer Graphics Video to RGB/HV/S Format Converter



The **VP-100** is a high-performance format converter for computer graphics video signals. It converts a computer graphics video signal on a 15-pin HD connector to either RGBS, RGsB, or RGBHV video signals on BNC connectors.

FEATURES

- High Bandwidth - 350MHz (-3dB).
- Control - H/V sync shift & sync selection.
- Looping Input.
- Selectable Input Signal Termination.
- ID Bit Control.
- EQ (Peaking) Control.
- Active Line Amplification Circuitry.
- Compact Kramer TOOLS™ - 3 units can be rack mounted side-by-side in a 1U rack space with the optional RK-3T rack adapter.

TECHNICAL SPECIFICATIONS

INPUT:	Looping analog red, green, blue signals: 0.7Vpp/75Ω, H & V sync, TTL level, on a 15-pin HD (F) connector.
OUTPUTS:	1 analog red, green (with or without composite sync), blue signals: 0.7 Vpp/75Ω; H & V syncs: TTL level (Hi-Z load) or analog level (75Ω load) on BNC connectors; Composite Sync: TTL levels (Hi-Z load) or analog level (75Ω load).
VIDEO BANDWIDTH(-3dB):	350MHz.
DIFF. GAIN:	0.07%.
DIFF. PHASE:	0.03Deg.
K-FACTOR:	0.05%.
VIDEO S/N RATIO:	71dB.
CONTROLS:	Cable EQ, H & V sync shift, G/sync on green switch, Hs/Cs switch, ID bit switch, input termination switch.
EQ. CONTROL:	0 to +9.7dB @5MHz.
POWER SOURCE:	12V DC, 60mA.
DIMENSIONS:	12cm x 7.5cm x 2.5 cm (4.7" x 2.95" x 0.98") W, D, H.
WEIGHT:	0.3kg (0.67lbs) approx.
ACCESSORIES:	Power supply, mounting bracket.
OPTIONS:	RK-3T 19" rack adapter.

