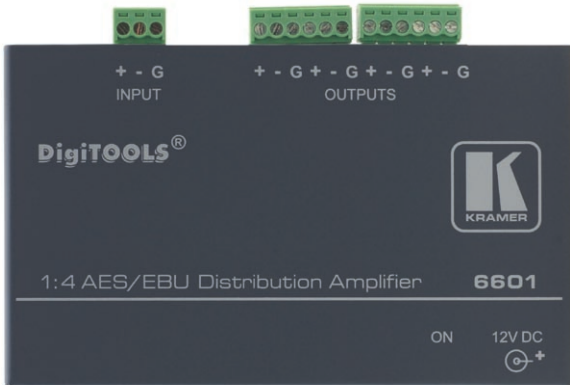


6601

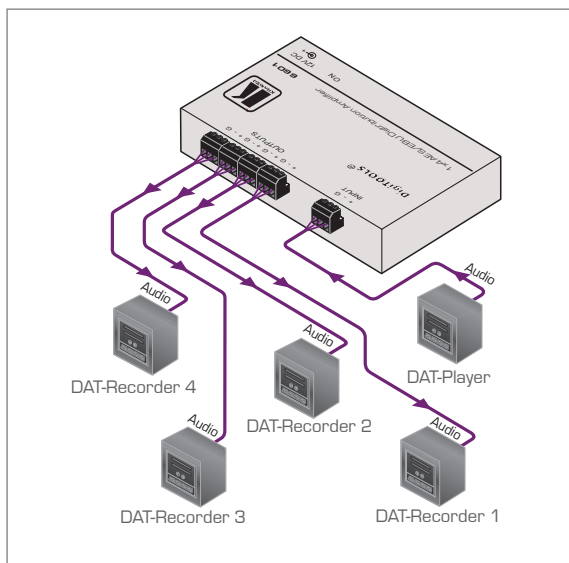
1:4 AES/EBU Digital Audio Distribution Amplifier



The **6601** is a high-performance distribution amplifier for digital audio signals. It takes one input, provides reclocking and equalization and distributes the signal to four identical outputs.

FEATURES

- Multi-Standard - AES/EBU, IEC 958, S/PDIF, & EIAJCP340/12101.
- Reclocking & Equalization - Automatic.
- Compact DigiTOOLS® - 3 units can be rack mounted side-by-side in a 1U rack space with the optional RK-3T rack adapter.



TECHNICAL SPECIFICATIONS

INPUT:	1 equalized digital audio, 110Ω on detachable terminal block, transformer coupled.
OUTPUTS:	4 x reclocked digital audio, 110Ω on detachable terminal block, transformer coupled.
SAMPLING:	32, 44.1, 48, 96kHz sampling frequencies.
STANDARDS:	AES/EBU, IEC 958, S/PDIF and EIAJ CP340/1201.
EQUALIZATION:	Automatic up to 200mV eye pattern.
DISPLAY:	Power ON LED.
DIMENSIONS:	12cm x 7.5cm x 2.5cm (4.7" x 2.95" x 0.98") W, D, H.
WEIGHT:	0.3kg (0.66lbs) approx.
POWER SOURCE:	12V DC, 100 mA.
ACCESSORIES:	Power supply.
OPTIONS:	RK-3T 19" rack adapter.

