

PT-561/PT-562

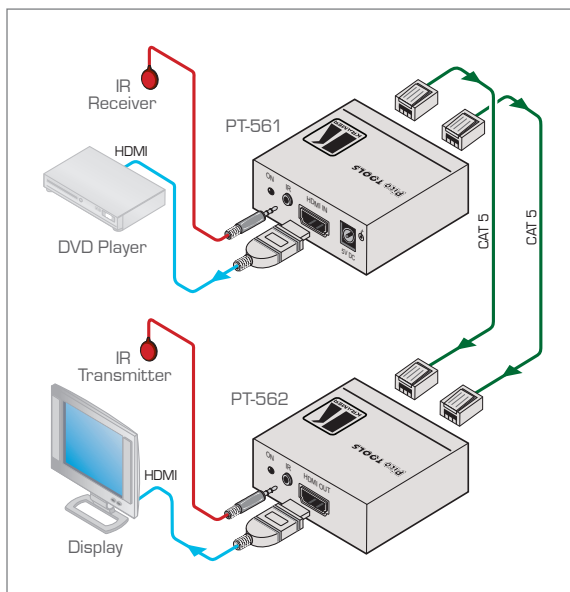
HDMI & IR over Twisted Pair Transmitter & Receiver



The **PT-561** and **PT-562** are a twisted pair transmitter and receiver for HDMI and IR signals. The **PT-561** converts an HDMI and IR signal to a twisted pair signal and the **PT-562** converts the twisted pair signal back to an HDMI and IR signal.

FEATURES

- Max. Data Rate - 1.65Gbps.
- HDTV Compatible.
- HDCP & HDMI Compliant.
- Bidirectional IR Support - IR is compatible with a Kramer transmitter and via a Kramer external remote IR receiver: C-A35M/IRR or C-A35M/IRE or C-A35M/2IRE.
- Optional IR Emitter Cables - C-A35/IRE-10 single emitter & C-A35/2IRE-10 dual emitter.
- Optional External IR Receiver Cables - C-A35M/IRR-3 and C-A35M/IRR-50.
- System Range - Up to 90m (295ft) at 1080i, or up to 30m (98ft) at 1080p on shielded BC-DGKat524 cable. Up to 90m (295ft) at 1080i, or up to 70m (230ft) at 1080p on shielded BC-DGKat623 cable. Up to 100m (330ft) at 1080i or up to 90m (295ft) at 1080p on shielded BC-DGKat723 cable.
- Cable - For optimum range and performance, use Kramer's BC-DGKat524, BC-DGKat623 and BC-DGKat723 cables. Note that the transmission range depends on the signal resolution, graphics card and display used. The distance using non-Kramer CAT 5, CAT 6, and CAT 7 cables may not reach these ranges.
- HDMI Support - HDMI (V.1.4 with Lip Sync, HDMI Uncompressed Audio Channels, Dolby TrueHD, DTS-HD).
- EDID PassThru - Passes EDID/HDCP signals from source to display.
- ON (Red) / Transmit (Green) Status LED.
- Power Connect™ System - A single connection to the transmitter powers the receiver.
- Ultra-Compact Pico TOOLS™ - 4 units can be rack mounted side-by-side in a 1U rack space with the optional RK-4PT rack adapter.



TECHNICAL SPECIFICATIONS

INPUTS:	1 HDMI connector (PT-561), 2 CAT 5 IN on RJ-45 connectors (PT-562).
OUTPUTS:	2 CAT 5 OUT on RJ-45 connectors (PT-561), 1 HDMI connector (PT-562).
IR PORT:	Bidirectional on a 3.5mm mini jack.
BANDWIDTH:	Supports up to 1.65Gbps bandwidth per graphic channel.
COMPLIANCE	Supports HDMI and HDCP.
WITH HDMI STANDARD:	5V DC, 440mA (transmitter and receiver together).
POWER SOURCE:	5V DC, 440mA (transmitter and receiver together).
DIMENSIONS:	6.2cm x 5.2cm x 2.4cm (2.4" x 2.1" x 1") W, D, H.
WEIGHT:	0.14kg (0.3lbs).
ACCESSORIES:	Power supply.
OPTIONS:	RK-4PT 19" rack adapter.

