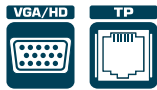


PT-120

Computer Graphics Video over Twisted Pair Receiver



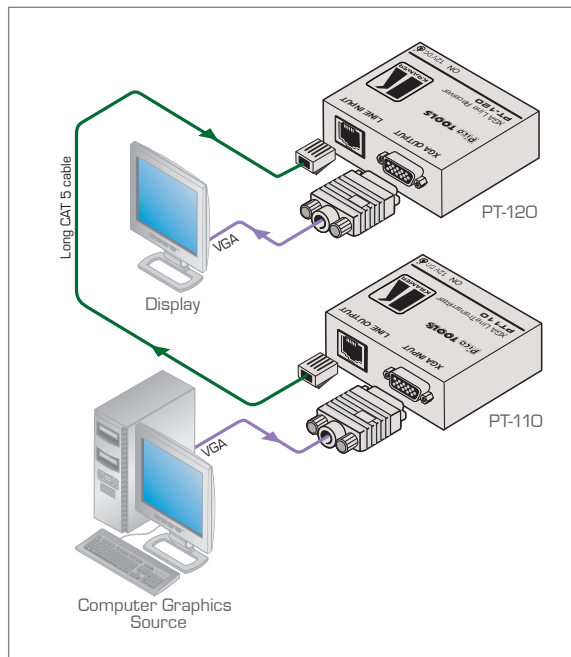
Compatible with HDTV component video signals when used with a breakout cable such as the Kramer C-GM/3RVF.



The **PT-120** is a twisted pair receiver for computer graphics video signals. It converts a twisted pair signal from a PT-110 transmitter (or other compatible Kramer transmitter) to a computer graphics signal.

FEATURES

- HDTV Compatible.
- Max. Resolution - WUXGA & 1080p.
- Level (Gain) & EQ (Peaking) Controls.
- Sync Polarity Settings - H & V switches for improved display compatibility with the CAT 5 outputs.
- Twisted Pair Input Connector - RJ-45.
- System Range - Up to 100m (320ft). Greater distances possible depending on signal resolution and cable.
- Cable - UTP (unshielded twisted pair) or STP (shielded twisted pair) cable such as CAT 5.
- Power Connect™ System - A single connection to the transmitter or the receiver powers both units when the devices are within 150ft (50m) of each other.
- Ultra Compact Pico TOOLS™ - 4 units can be rack mounted side-by-side in a 1U rack space with the optional RK-4PT rack adapter.



TECHNICAL SPECIFICATIONS

INPUT:	1 RJ-45 LINE IN connector.
OUTPUT:	1 VGA/UXGA on a 15-pin HD connector.
MAX. OUTPUT LEVEL:	1.5Vpp.
MAX. RESOLUTION:	WUXGA & 1080p.
DIFF. GAIN:	2.9% (worst case).
DIFF. PHASE:	0.3Deg (worst case).
K-FACTOR:	<0.05%.
S/N RATIO:	69dB (worst case).
CONTROLS:	-7.7dB to +3.1dB, 130m (level); 0dB to +25dB, (EQ.) @50MHz.
COUPLING:	DC.
POWER SOURCE:	12V DC, 175mA.
DIMENSIONS:	6cm x 6.5cm x 2.5cm (2.36" x 2.56" x 1") W, D, H.
WEIGHT:	0.14kg (0.31lbs) approx.
ACCESSORIES:	Power supply.
OPTIONS:	RK-4PT 19" rack adapter.

