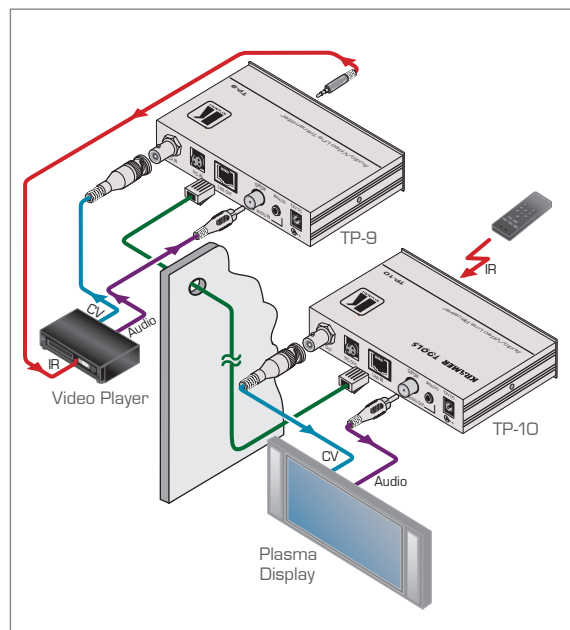
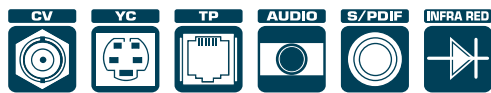


TP-9/TP-10

Composite Video, s-Video & Stereo Audio over Twisted Pair Transmitter & Receiver with IR Repeater



The **TP-9** and **TP-10** are a twisted pair transmitter and receiver for composite or s-Video (Y/C) signals and unbalanced analog stereo or S/PDIF digital audio signals. The **TP-9** transmitter converts the video and audio to a twisted pair signal and the **TP-10** converts the twisted pair signal back into video & audio signals.

FEATURES

- Bandwidth - >70MHz (-3dB).
- Audio - S/PDIF or unbalanced analog.
- IR Repeater - 2 IR emitter outputs (TP-9) & 1 sensor (TP-10).
- Twisted Pair Input/Outputs - RJ-45 connector.
- System Range - Up to 200m (650ft).
- Cable - UTP (unshielded twisted pair) or STP (shielded twisted pair) such as CAT 5.
- Level (Gain) & EQ (Peaking) Controls - TP-10.
- Power Connect™ System - Only one unit in a system, the transmitter or the receiver needs to be connected to a power source when the devices are within 50m (150ft) of each other.
- Compact Kramer TOOLS™ - 3 units can be rack mounted side-by-side in a 1U rack space with the optional RK-3T rack adapter.

TECHNICAL SPECIFICATIONS

INPUTS:	1 composite video 1Vpp/75Ω on a BNC connector; 1 s-Video 1Vpp/75Ω [Y], 0.3Vpp/75Ω [C] on a 4-pin connector; 1 S/PDIF (digital audio) on an RCA connector; 1 audio (analog audio) <8dBu on a 3.5mm mini jack (TP-9); 1 RJ-45 CAT 5 shielded connector (LINE IN) (TP-10).
OUTPUTS:	1 RJ-45 CAT 5 shielded connector (LINE OUT); 2 IR emitters on 3.5mm mini jacks (TP-9); 1 composite video 1Vpp/75Ω on a BNC connector; 1 s-Video 1Vpp/75Ω [Y], 0.3Vpp/75Ω [C] on a 4-pin connector; 1 S/PDIF (digital audio) on an RCA connector; 1 audio (analog audio) <8dBu on a 3.5mm mini jack (TP-10).
MAX. OUTPUT LEVEL:	Video: 2.6V; Audio: 4.6Vpp.
BANDWIDTH:	Video: >70MHz/-3dB; Audio: 20Hz to 20kHz/0.1dB.
NON-LINEARITY:	<0.05%.
DIFF. GAIN:	<0.05%.
DIFF. PHASE:	0.09Deg.
S/N RATIO:	Video: >75dB/5MHz weighted; Audio: >73dB.
AUDIO CONVERSION SAMPLE RATE:	48kHz.
AUDIO CONVERSION RESOLUTION:	24-bits
POWER SOURCE:	12V DC, 95mA
DIMENSIONS:	12cm x 6.95cm x 2.76cm (4.7" x 2.8" x 1.08") W, D, H.
WEIGHT:	0.3kg (0.67lbs) approx.
ACCESSORIES:	Power supply, 3.5mm to IR Emitter Control Cable (C-A35/IRE-10).
OPTIONS:	RK-3T 19" rack adapter.

