

VM-80V

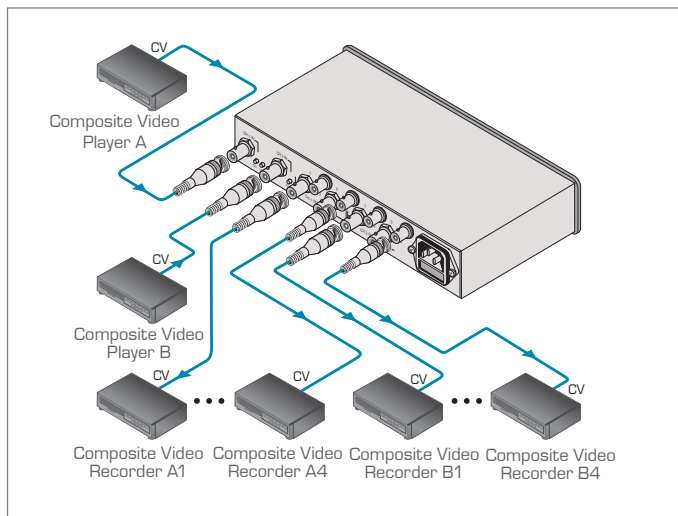
1:8 Composite Video Distribution Amplifier



The **VM-80V** is a high-performance distribution amplifier for composite or SDI signals. It can also be configured as a 1:4 DA for s-Video (Y/C) signals and has controls to compensate for signal losses inherent in long cable runs.

FEATURES

- High Bandwidth - 330MHz (-3dB).
- Level (Gain) and EQ (Peaking) Controls.
- Dual-Mode - Configure as either a 1:8 (composite) or 1:4 (s-Video) DA.
- Video AC/DC Coupling - Internally selectable.
- Companion Unit to the VM-80A Audio DA.
- Desktop Size - Compact size. 2 units can be rack mounted side-by-side in a 1U rack space with the optional RK-1 adapter.



TECHNICAL SPECIFICATIONS

INPUTS:	2 video: 1Vpp/75Ω on BNC connectors with termination switches.
OUTPUTS:	2x4 video, 1Vpp/75Ω on BNC connectors.
MAX. OUTPUT:	2Vpp.
VIDEO BANDWIDTH (-3dB):	330MHz.
DIFF. GAIN:	0.12%.
DIFF. PHASE:	0.5Deg.
K-FACTOR:	<0.05%.
S/N RATIO:	74dB.
CONTROL:	75Ω termination switch, 1:8 or 2x1:4 selector switch.
NON-LINEARITY:	0.1%.
COUPLING:	DC or AC (internal selection).
POWER SOURCE:	100-240V AC, 50/60Hz, 10VA.
DIMENSIONS:	22cm x 18cm x 4.5cm (8.7" x 7" x 1.8") W, D, H (half 19").
WEIGHT:	1.3kg (2.9lbs) approx.
ACCESSORIES:	Power cord.
OPTIONS:	RK-1 19" rack adapter.

