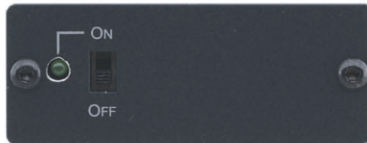


FC-200

EDID Reader and Writer

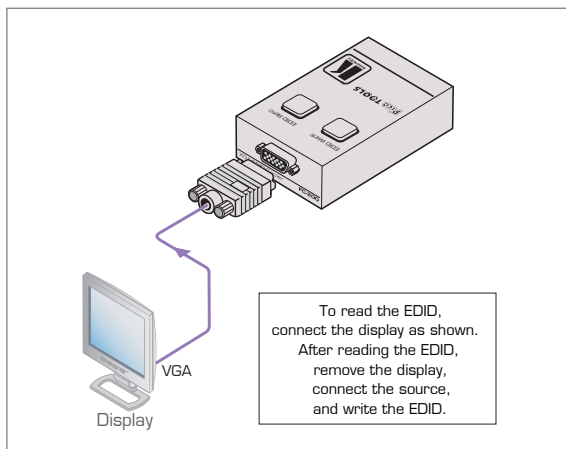
NEW



The **FC-200** is an EDID reader and writer for computer graphics signals. The unit reads and stores the EDID from the display device, can be disconnected and reconnected without rebooting the operating system, and can write the EDID at the press of a button when connected to an EDID receiver, such as an active VGA wall plate.

FEATURES

- Input/Output - 1 VGA 15-pin HD connector.
- Battery Operated Power Source.
- Controls - EDID read & EDID write buttons, ON LED, power switch.
- Compatible Models - SV-301xl, WP-500 and all Kramer models with EDID emulation.
- Ultra-Compact PicoTOOLS™ - 4 units can be rack mounted side-by-side in a 1U rack space with the optional RK-4PT rack adapter.



TECHNICAL SPECIFICATIONS

INPUT/OUTPUT:	1 VGA input on a 15-pin HD connector.
CONTROLS:	Push buttons for EDID reading and writing.
POWER SOURCE:	PP3 9V battery.
DIMENSIONS:	6.2cm x 11.0cm x 2.4cm (2.4" x 4.3" x 0.9") W, D, H.
WEIGHT:	0.15kg (0.33lbs) approx.
OPTIONS:	RK-4PT 19" rack adapter.

