

## VM-30AV/VM-30AVB

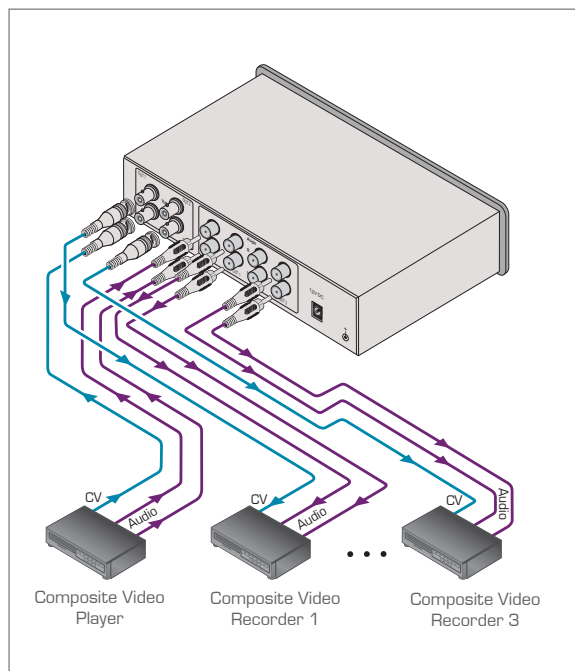
## 1:3 Composite Video &amp; Stereo Audio Distribution Amplifiers



The **VM-30AV** and **VM-30AVB** are compact distribution amplifiers for composite video and unbalanced stereo audio signals. They provide controls to compensate for signal losses inherent in long cable runs.

## FEATURES

- **Video Connectors** - VM-30AV has RCA connectors, VM-30AVB has BNC connectors.
- **Audio Level Control.**
- **Level (Gain) and EQ (Peaking) Controls.**
- **Desktop Size** - Compact size. 2 units can be rack mounted side-by-side in a 1U rack space with the optional RK-1 adapter.



## TECHNICAL SPECIFICATIONS

INPUTS:	1 video, 1Vpp/75Ω on RCA connectors for VM-30AV and BNC connectors for VM-30AVB; 1 audio stereo, 1Vpp/70kΩ on RCA connectors.
OUTPUTS:	3 video, 1Vpp/75Ω on RCA connectors for VM-30AV and BNC connectors for VM-30AVB; 3 audio stereo, 1Vpp/150Ω on RCA connectors.
MAX. OUTPUT LEVEL:	Video: 2Vpp; Audio: 5.4Vpp.
BANDWIDTH (-3dB):	Video: 430MHz, Audio: 100kHz.
DIFF. GAIN:	0.04%.
DIFF. PHASE:	0.07Deg.
K-FACTOR:	0.05%.
S/N RATIO:	Video: 73dB, Audio: 83dB.
CONTROLS:	Video level: -1.1 to +1.8dB, EQ: 0 to +4.6dB @5.8MHz; Audio level: -66 to +16dB.
COUPLING:	AC.
AUDIO THD+NOISE:	0.3%.
AUDIO 2nd HARMONIC:	0.02%.
POWER SOURCE:	12V DC, 30mA.
DIMENSIONS:	16.5cm x 12cm x 4.5cm (6.5" x 4.7" x 2.8") W, D, H.
WEIGHT:	0.65kg (1.4lbs) approx.
ACCESSORIES:	Power supply, brackets for stacking multiple units.
OPTIONS:	RK-1 19" rack adapter.

