

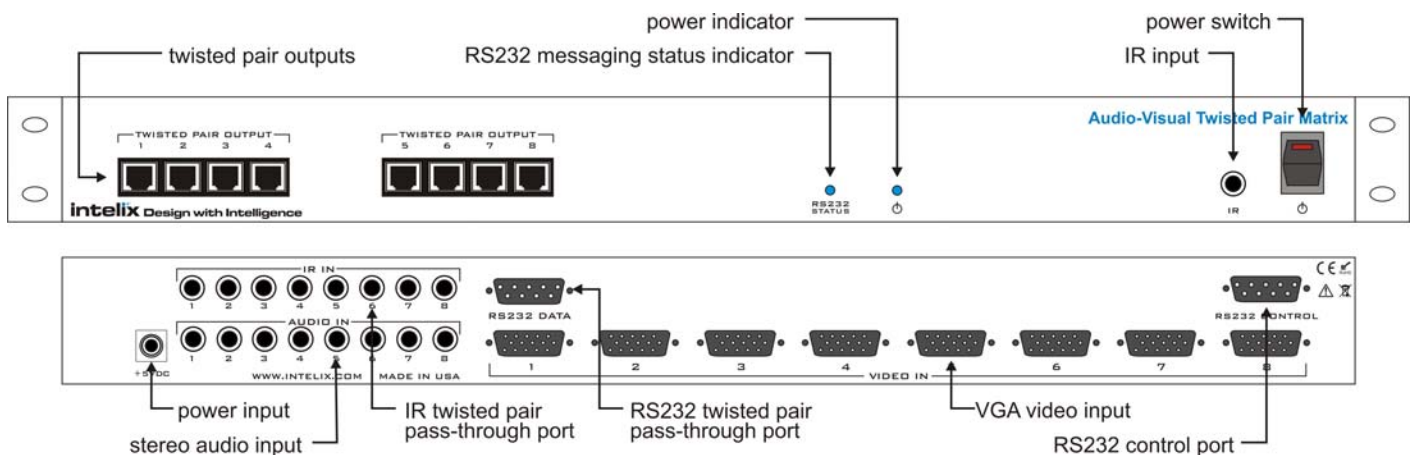


Tired of sifting through spec sheets and wiring multiple diverse components? Fed up with long, bulky cable runs? **Simplify with Intelix DIGI-VGASD twisted pair matrices.** The DIGI-VGASD-8X8e provides eight analog VGA video and stereo audio inputs which may be distributed to eight twisted pair outputs in any combination. In addition, a separate internal control matrix provides bi-directional RS232 and IR switching and distributes the control signals through the twisted pair ports, allowing the remote control of the sources and destinations connected to the matrix. All of the video, audio and control signals are transmitted up to 350 feet on a single twisted pair cable. **In essence, the DIGI-VGASD-8X8e allows you to switch audio, video, and control and transmit it all over a single twisted pair cable to a remote Intelix DIGI-VGASD Series receiver.**

The matrix supports resolutions up to 1920 x 1080, features true hi-fidelity audio, and is compatible with third-party control systems.

Design with Intelix and Design with Intelligence.

Video Bandwidth	400 MHz	Control	RS232
Maximum Resolution	1920 x 1080	Pass-through Matrix Control	RS232 and IR
HD Compatibility	480i, 480p, 720p, 1080i	Input Connectors	(8) female HD15 (video) (8) 1/8" mini (stereo audio) (8) 1/8" mini (IR)
Video Input Signal Level	1.0 volt p-p	Output Connectors	(1) female DB9 (serial)
Video Output Impedance	100 ohms	Control Connectors	(8) RJ45
Video Input Impedance	75 ohms	Twisted Pair Out Max. Dist.	(1) female DB9 (serial)
Supported Video Formats	VGA, SVGA, XGA, RGBHV, RGsB, CVBS, YC, YUV, RGBS, YPbPr	Compatible Twisted Pair	350 feet
Sync	TTL 5VDC	Extenders	DIGI-VGASD-R DIGI-VGASD-WP-R DIGI-V3AD-R DIGI-V3SD-R
Sync Bandwidth	Horizontal sync up to 85 kHz	Dimensions	19.00" x 1.25" x 9.25" 1 RU
Audio Frequency Response	20 Hz to 20 kHz	Enclosure	Black metal
Audio Impedance	100 ohms unbalanced	Regulatory	CE, RoHS
Diagnostic	Front panel messaging status LED	Shipping Weight	12 lbs
Operating Temperature Range	-41 to 95 degrees F	Intelix Part Number	DIGI-VGASD-8X8e
Operating Humidity Range	-5 to 35 degrees C	Warranty	2 years



Control Signal Pass-Through Path
The DIGI-VGASD-8X8e transmits bi-directional RS232 and IR over the same twisted pair cable used for audio and video. When sending IR, the signals are transmitted from the destination back to the matrix, not vice versa. **Intelix DIGI-VGASD-IREMT emitters and DIGI-VGASD-IREYE receivers must be used.**