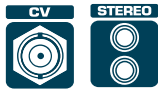


VS-41AV

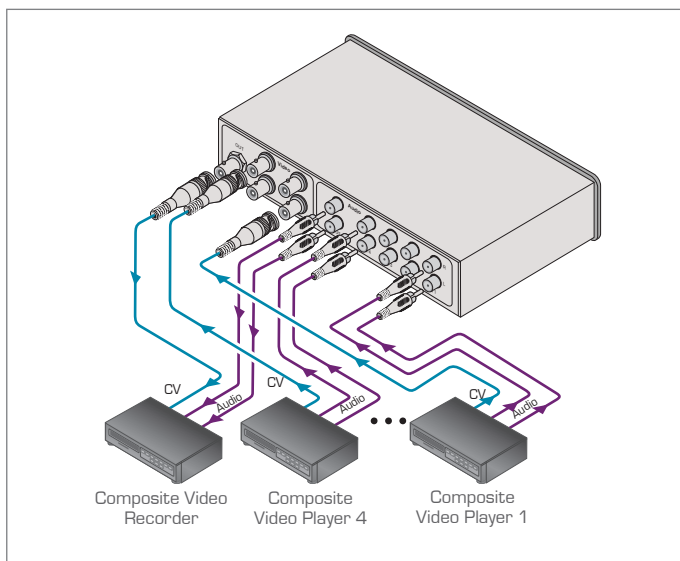
4x1 Composite Video & Stereo Audio Mechanical Switcher



The **VS-41AV** is a high-performance switcher for composite video and unbalanced stereo audio signals. It switches any one of four inputs to a single output.

FEATURES

- High Bandwidth - 520MHz (-3dB).
- Mechanical (Passive) Switching - No power required.
- Desktop Size - Compact size. 2 units can be rack mounted side-by-side in a 1U rack space with the optional RK-B1 adapter.



TECHNICAL SPECIFICATIONS

INPUTS:	4 video, 1Vpp/75Ω on BNC connectors. 4 audio stereo, +4dBu typical, on RCA connectors.
OUTPUTS:	1 video, 1Vpp/75Ω on a BNC connector. 1 audio stereo, +4dBu typical, on RCA connectors.
SWITCHING SYSTEM:	Mechanical, break-before-make, audio-follow-video mode.
BANDWIDTH (-3dB):	520MHz (video), 100kHz (audio).
CROSSPOINTS:	4 for video, 4x2 for audio, 1 set active at any given time.
SIGNAL LEVELS:	Up to 3Vpp video, +30dBu audio.
DIMENSIONS:	18.8cm x 10.2cm x 4.4cm (7.4" x 4" x 1.7") H, W, D.
WEIGHT:	0.65kg (1.44lbs) approx.
OPTIONS:	RK-B1 19" rack adapter.

